

CT BATHROOM RANGE

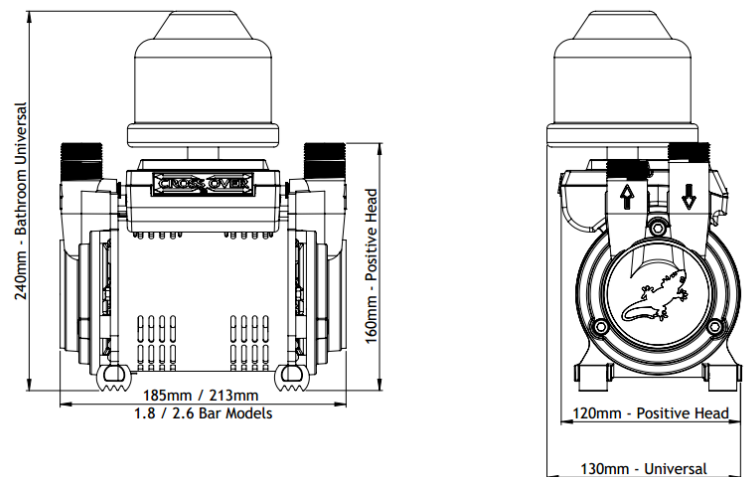
The new CT Bathroom range, with increased pressure performance and additional features, has been specifically engineered to meet the increased demands for water supply within your en-suite, bathroom or utility room.



Features

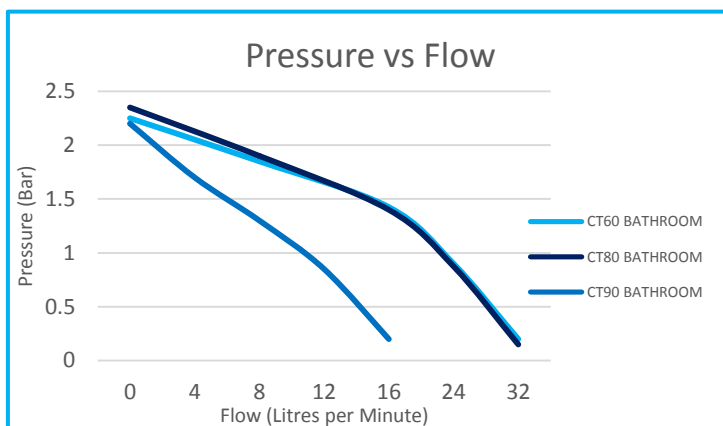
- 3 Year warranty*
- More pressure and flow
- More compact in size
- Impressively quiet
- Easy to install
- Crossover technology
- Continuously rated
- Compact seal
- AV couplers included
- 22mm push fit flexible hoses with integral isolating valves on inlets
- Pre-wired with 1.25 metre power cable
- Anti-vibration feet

Pump Dimensions



*3 year warranty available for free if customer calls the service team on installation of the pump

Performance



CT BATHROOM Technical Specification

Part No.	Description	Specification			Performance			Connection Type			Pump Volumetrics				Packed Pump Volumetrics			
		Electrical Input	Fuse	Pump Type	Pressure (kPa/Bar) at 16ltr/min	Pressure (kPa/Bar) at 8ltr/min	Max pressure (kPa/Bar) closed head	Pump	Hoses	Isolators	Dimensions				Dimensions			
		230/1/50		Regenerative				BSP	Push fit	Isolators integrated into the hoses	Weight (kg)	Length (mm)	Width (mm)	Height (mm)	Weight (kg)	Length (mm)	Width (mm)	Height (mm)
CT BATHROOM																		
CT 60 B Bathroom	1.8 Bar Twin End Positive Head Shower Pump	✓	3A	✓	130 (1.3)	150 (1.5)	180 (1.8)	¾"	15mm	✓	3.79	185	120	160	4.53	295	215	205
CT 80 B Bathroom	2.6 Bar Twin End Positive Head Shower Pump	✓	3A	✓	200 (2.0)	240 (2.4)	260 (2.6)	¾"	21mm	✓	5.32	213	120	160	6.12	295	215	205
CT 60 BU Bathroom	1.8 Bar Twin End Universal House Pump	✓	3A	✓	130 (1.3)	150 (1.5)	180 (1.8)	¾"	15mm	✓	4.32	185	130	240	5.12	295	215	365
CT 80 BU Bathroom	2.6 Bar Twin End Universal House Pump	✓	3A	✓	200 (2.0)	240 (2.4)	260 (2.6)	¾"	22mm	✓	5.84	213	130	240	6.84	295	215	365
CT 90 BU Bathroom	2.6 Bar Single End Universal House Pump	✓	3A	✓	200 (2.0)	240 (2.4)	260 (2.6)	¾"	22mm	✓	5.75	213	130	240	6.74	295	215	365

