



## Tesi Close Coupled Back to Wall WC Pan

### Illustrated

- T3557** Tesi close coupled back to wall wc pan with horizontal outlet
- T3569** Tesi close coupled cistern 4/2.6 litre dual flush valve bottom supply and internal overflow
- T3527** Tesi slim toilet seat and cover, slow close

### Configuration options

- T3570** Tesi close coupled cistern 6/4 litre dual flush valve bottom supply and internal overflow
- T3528** Tesi slim toilet seat and cover, standard close
- T3529** Tesi wrap style toilet seat and cover, slow close
- T3530** Tesi wrap style toilet seat and cover, standard close

### Material

Vitreous China

### Standards

Vitreous china to BS3402. WC pan to BS EN 997 and BS EN 33

### Weights

- T3557 29.20KG
- T3569 11.00KG
- T3527 2.20KG

### Colours

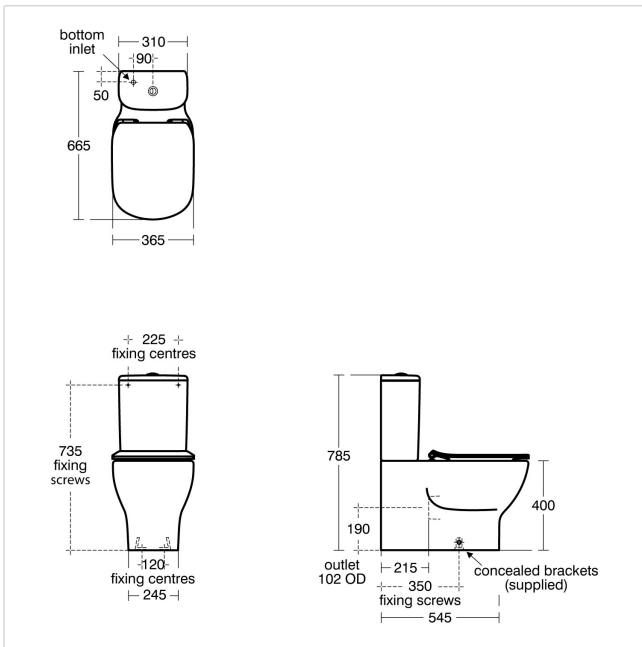
White (01)

### Special Notes

WC screwed to floor and cistern screwed to wall. Joint to wall and WC pan sealed with waterproof sealant (not supplied)

### Designer

Robin Levien, RDI



### Frequently used applications

- |                       |                    |
|-----------------------|--------------------|
| Hotels                | Office             |
| Public Building       | Pubs and Clubs     |
| Residential           | Retail             |
| Social Housing        | Sports and Leisure |
| Student Accommodation |                    |

### Features

Water Saving



Email: [info@idealspec.co.uk](mailto:info@idealspec.co.uk)  
 Tel: 0870 122 8822  
 Fax: 0870 122 8282  
 Web: [www.idealspec.co.uk](http://www.idealspec.co.uk)

