

TAPS RANGE

TAKE A CLOSER LOOK AT OUR STUNNING NEW ASPECTS COLLECTION AND YOU'LL SEE EXACTLY WHAT MAKES THEM DIFFERENT. THIS EXCITING NEW COLLECTION HAS BEEN DESIGNED TO COMPLEMENT ANY BATHROOM BEAUTIFULLY. WITHIN THE RANGE THERE ARE SEVEN STUNNING DESIGNS, EACH WITH THEIR OWN DISTINCT AND UNIQUE LOOK. HOWEVER, WHERE THEY DIFFER IN STYLE, THEY ARE ALL IDENTICAL IN QUALITY WITH EACH AND EVERY ONE MADE TO THE SAME EXCEPTIONAL STANDARDS. STANDARDS YOU'D ONLY EXPECT FROM MIRA.

MIRA COMFORT 180
MIRA EVOLVE 182
MIRA FLUENCY 184
MIRA HONESTY 186

MIRA PRECISION 188
MIRA REVIVE 190
MIRA VIRTUE 192



MIRA COMFORT

Part Number: Monobloc Chrome 2.1818.001
 Part Number: Basin Pillars Chrome 2.1818.002
 Part Number: Bath Pillars Chrome 2.1818.003
 Part Number: Bath Filler Chrome 2.1818.004
 Part Number: Bath Shower Mixer Chrome 2.1818.005



A RENOWNED STYLE
 BROUGHT RIGHT UP TO
 DATE WITH SLEEK LOOKS,
 ROBUST CONSTRUCTION
 AND EASE OF USE

PRODUCT FEATURES

Quarter turn ceramic cartridges tested to over 1/2 million cycles (single lever cartridges tested to over 250,000 cycles)

Brass fixings on pillar taps, bath filler and bath shower mixer

Easy-fit flexible hoses with 15mm compression fittings on monobloc

Patented 'rapid fix' clamp on monobloc for speedy installation

Flow regulator supplied across the range for use on high pressure systems

Bath shower mixer includes a 1.75m hose and two mode handshower with a handset holder

FOR YOUR CUSTOMER

Soft fluid contemporary design

Easy clean integrated flow straightener

Perfectly style matches the Mira Coda mixer shower range

Innovative push button diverts flow from shower to bathfill



TECH DETAILS

INSTALLATION

Bath Filler and BSMs fit onto standard 180mm pipe centres

SUPPLY CONDITIONS

Minimum Maintained Pressure Basin Pillars, Basin Monobloc, Bath Pillars: 0.1 bar (1 metre head)

Minimum Maintained Pressure Bath Filler/BSM: 0.2 bar (2 metre head)

Maximum maintained pressure: 5.0 bar (50 metre head)

Maximum static pressure: 10.0 bar (100 metre head)

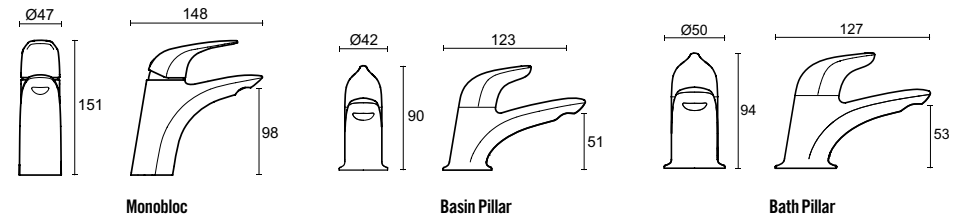


Pillar Taps

Bath Filler

Bath Shower Mixer

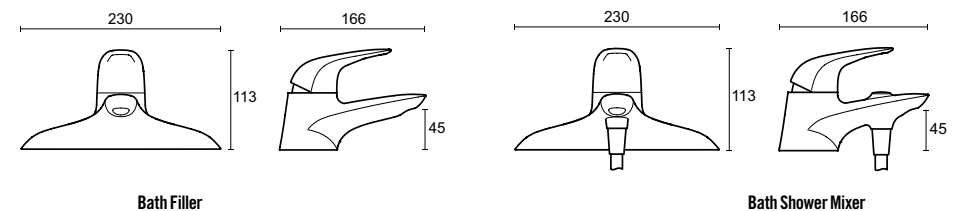
TECH DRAWINGS



Monobloc

Basin Pillar

Bath Pillar



Bath Filler

Bath Shower Mixer

All dimensions in mm

MIRA EVOLVE

Part Number: Monobloc Chrome 2.1816.001
 Part Number: Basin Pillars Chrome 2.1816.002
 Part Number: Bath Pillars Chrome 2.1816.003
 Part Number: Bath Filler Chrome 2.1816.004
 Part Number: Bath Shower Mixer Chrome 2.1816.005



PURE GEOMETRIC PRINCIPLES WITH AN EXCITING, CONTEMPORARY TWIST

PRODUCT FEATURES

Quarter turn ceramic cartridges tested to over 1/2 million cycles (single lever cartridges tested to over 250,000 cycles)

Brass fixings on pillar taps, bath filler and bath shower mixer

Easy-fit flexible hoses with 15mm compression fittings on monobloc

Patented 'rapid fix' clamp on monobloc for speedy installation

Flow regulator supplied across the range for use on high pressure systems

Bath shower mixer includes a 1.75m hose and two mode handshower with a handset holder

FOR YOUR CUSTOMER

Minimalist design with fluid geometric styling

Integrated flow straightener for ease of cleaning

Perfectly style matches the Mira Agile or Mira Adept mixer shower ranges

Innovative push button diverts flow from shower to bathfill



TECH DETAILS

INSTALLATION

Bath Filler and BSMs fit onto standard 180mm pipe centres

SUPPLY CONDITIONS

Minimum Maintained Pressure Basin Pillars, Basin Monobloc, Bath Pillars: 0.1 bar (1 metre head)

Minimum Maintained Pressure Bath Filler/BSM: 0.2 bar (2 metre head)

Maximum maintained pressure: 5.0 bar (50 metre head)

Maximum static pressure: 10.0 bar (100 metre head)

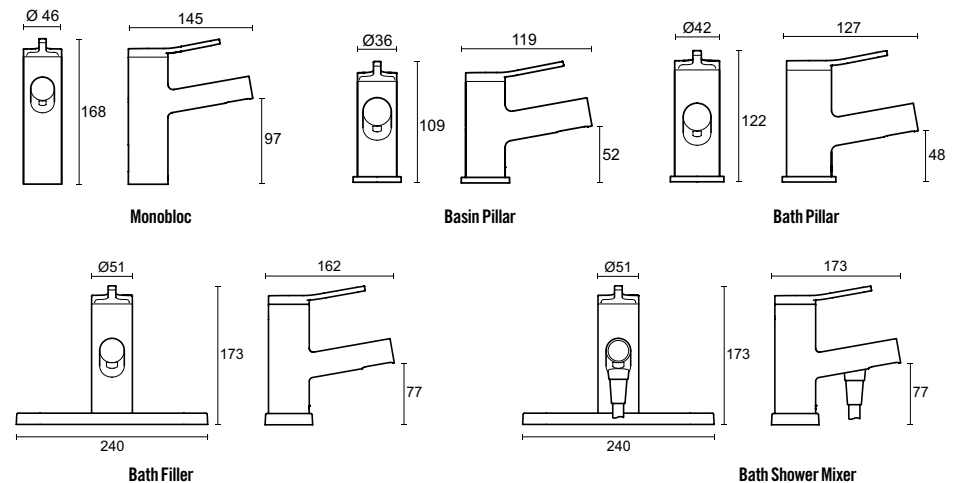


Pillar Taps

Bath Filler

Bath Shower Mixer

TECH DRAWINGS



All dimensions in mm

MIRA FLUENCY

Part Number: Monobloc Chrome 2.1828.001



COMBINES FLUID BEAUTY
WITH GEOMETRIC
PRECISION AND
ERGONOMIC EASE OF USE

PRODUCT FEATURES

Quarter turn ceramic cartridges tested to over 1/2 million cycles (single lever cartridges tested to over 250,000 cycles)

Easy-fit flexible hose with 15mm compression fittings

Patented 'rapid fix' clamp for speedy installation

Flow regulator supplied for use on high pressure systems

FOR YOUR CUSTOMER

Creates an iconic look in any bathroom

Easy clean integrated flow straightener



TECH DETAILS

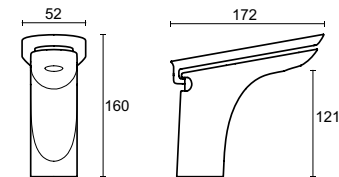
SUPPLY CONDITIONS

Minimum Maintained Pressure Basin Monobloc 0.1 bar (1 metre head)

Maximum maintained pressure: 5.0 bar (50 metre head)

Maximum static pressure: 10.0 bar (100 metre head)

TECH DRAWINGS



Monobloc

All dimensions in mm

MIRA HONESTY

Part Number: Monobloc Chrome 2.1815.001
 Part Number: Basin Pillars Chrome 2.1815.002
 Part Number: Bath Pillars Chrome 2.1815.003
 Part Number: Bath Filler Chrome 2.1815.004
 Part Number: Bath Shower Mixer Chrome 2.1815.005



COMBINES HARD ANGLES
 WITH SOFTENED CORNERS
 FOR A SEAMLESS
 CONTEMPORARY FINISH

PRODUCT FEATURES

Quarter turn ceramic cartridges tested to over 1/2 million cycles (single lever cartridges tested to over 250,000 cycles)

Brass fixings on pillar taps, bath filler and bath shower mixer

Easy-fit flexible hose with 15mm compression fittings on monobloc

Patented 'rapid fix' clamp on monobloc for speedy installation.

Flow regulator supplied across the range for use on high pressure systems

Bath shower mixer includes a 1.75m hose and two mode handshower with a handset holder

FOR YOUR CUSTOMER

Seamless contemporary design and finish

Integrated flow straightener for ease of cleaning

Innovative push button diverts flow from shower to bathfill



TECH DETAILS

INSTALLATION

Bath Filler and BSMs fit onto standard 180mm pipe centres

SUPPLY CONDITIONS

Minimum Maintained Pressure Basin Pillars, Basin Monobloc, Bath Pillars: 0.1 bar (1 metre head)

Minimum Maintained Pressure Bath Filler/BSM: 0.2 bar (2 metre head)

Maximum maintained pressure: 5.0 bar (50 metre head)

Maximum static pressure: 10.0 bar (100 metre head)

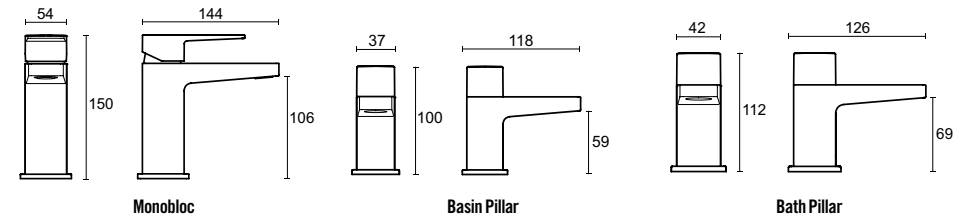


Pillar Taps

Bath Filler

Bath Shower Mixer

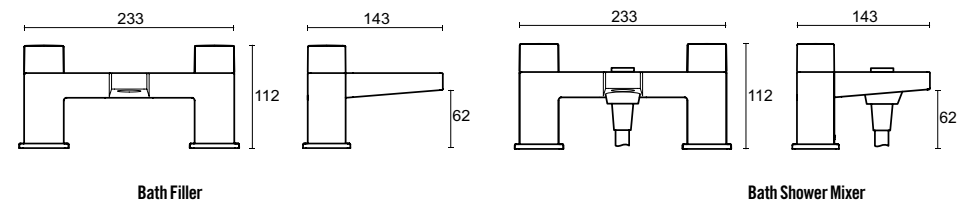
TECH DRAWINGS



Monobloc

Basin Pillar

Bath Pillar



Bath Filler

Bath Shower Mixer

All dimensions in mm

MIRA PRECISION

Part Number: Monobloc Chrome 2.1817.001
 Part Number: Basin Pillars Chrome 2.1817.002
 Part Number: Bath Pillars Chrome 2.1817.003
 Part Number: Bath Filler Chrome 2.1817.004
 Part Number: Bath Shower Mixer Chrome 2.1817.005



A DISTINCTIVE NEW DIMENSION WITH TALL BODY AND ELEGANT FORM

PRODUCT FEATURES

Quarter turn ceramic cartridges tested to over 1/2 million cycles (single lever cartridges tested to over 250,000 cycles)

Brass fixings on pillar taps, bath filler and bath shower mixer

Easy-fit flexible hose with 15mm compression fittings on monobloc

Patented 'rapid fix' clamp on monobloc for speedy installation.

Flow regulator supplied across the range for use on high pressure systems

Bath shower mixer includes a 1.75m hose and two mode handshower with a handset holder

FOR YOUR CUSTOMER

Striking new design with a seamless contemporary finish

Easy clean integrated flow straightener

Perfectly style matches the Mira Agile or Mira Adept mixer shower ranges

Innovative push button diverts flow from shower to bathfill



TECH DETAILS

INSTALLATION

Bath Filler and BSMs fit onto standard 180mm pipe centres

SUPPLY CONDITIONS

Minimum Maintained Pressure Basin Pillars, Basin Monobloc, Bath Pillars: 0.1 bar (1 metre head)

Minimum Maintained Pressure Bath Filler/BSM: 0.2 bar (2 metre head)

Maximum maintained pressure: 5.0 bar (50 metre head)

Maximum static pressure: 10.0 bar (100 metre head)



Pillar Taps

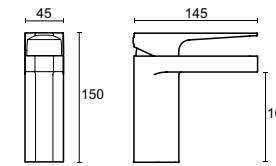


Bath Filler

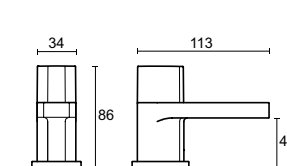


Bath Shower Mixer

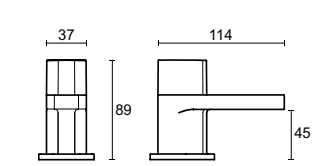
TECH DRAWINGS



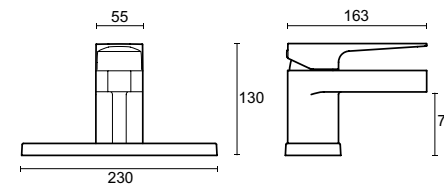
Monobloc



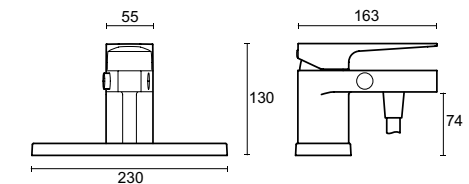
Basin Pillar



Bath Pillar



Bath Filler



Bath Shower Mixer

All dimensions in mm

MIRA REVIVE

Part Number: Monobloc Chrome 2.1819.001
 Part Number: Basin Pillars Chrome 2.1819.002
 Part Number: Bath Pillars Chrome 2.1819.003
 Part Number: Bath Filler Chrome 2.1819.004
 Part Number: Bath Shower Mixer Chrome 2.1819.005



FEATURES STRIKING CURVES AND A UNIQUE HANDLE DESIGN

PRODUCT FEATURES

Quarter turn ceramic cartridges tested to over 1/2 million cycles (single lever cartridges tested to over 250,000 cycles)

Brass fixings on pillar taps, bath filler and bath shower mixer

Easy-fit flexible hose with 15mm compression fittings on monobloc

Patented 'rapid fix' clamp on monobloc for speedy installation

Flow regulator supplied across the range for use on high pressure systems

Bath shower mixer includes a 1.75m hose and two mode handshower with a handset holder

FOR YOUR CUSTOMER

Striking curves and unique handle design, engineered to feel great in the hand

Integrated flow straightener for ease of cleaning

Unique spout operated diverter on BSM



TECH DETAILS

INSTALLATION

Bath Filler and BSMs fit onto standard 180mm pipe centres

SUPPLY CONDITIONS

Minimum Maintained Pressure Basin Pillars, Basin Monobloc, Bath Pillars: 0.1 bar (1 metre head)

Minimum Maintained Pressure Bath Filler/BSM: 0.2 bar (2 metre head)

Maximum maintained pressure: 5.0 bar (50 metre head)

Maximum static pressure: 10.0 bar (100 metre head)

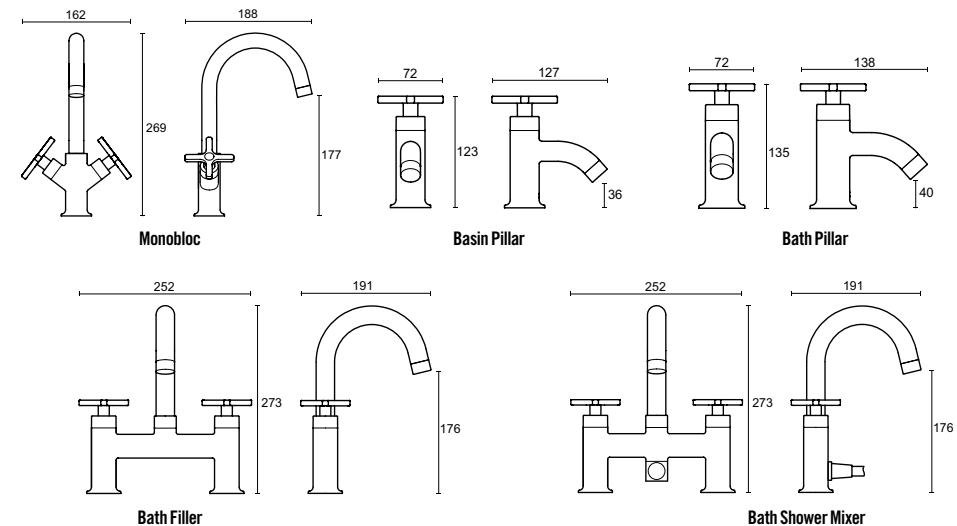


Pillar Taps

Bath Filler

Bath Shower Mixer

TECH DRAWINGS



All dimensions in mm

MIRA VIRTUE

Part Number: Monobloc Chrome 2.1820.001
 Part Number: Basin Pillars Chrome 2.1820.002
 Part Number: Bath Pillars Chrome 2.1820.003
 Part Number: Bath Filler Chrome 2.1820.004
 Part Number: Bath Shower Mixer Chrome 2.1820.005



BRINGS A GENUINE SENSE
 OF TIME-HONOURED STYLE
 TO THE 21ST CENTURY

PRODUCT FEATURES

Quarter turn ceramic cartridges tested to over 1/2 million cycles (single lever cartridges tested to over 250,000 cycles)

Brass fixings on pillar taps, bath filler and bath shower mixer

Easy-fit flexible hose with 15mm compression fittings on monobloc

Patented 'rapid fix' clamp on monobloc for speedy installation

Flow regulator supplied across the range for use on high pressure systems

Bath shower mixer includes a 1.75m hose and two mode handshower with a handset holder



FOR YOUR CUSTOMER

Authentic Victorian features are perfect for a traditional styled bathroom

Easy clean integrated flow straightener

Perfectly style matches the Mira Realm mixer shower range

TECH DETAILS

INSTALLATION

Bath Filler and BSMs fit onto standard 180mm pipe centres

SUPPLY CONDITIONS

Minimum Maintained Pressure Basin Pillars, Basin Monobloc, Bath Pillars: 0.1 bar (1 metre head)

Minimum Maintained Pressure Bath Filler/BSM: 0.2 bar (2 metre head)

Maximum maintained pressure: 5.0 bar (50 metre head)

Maximum static pressure: 10.0 bar (100 metre head)

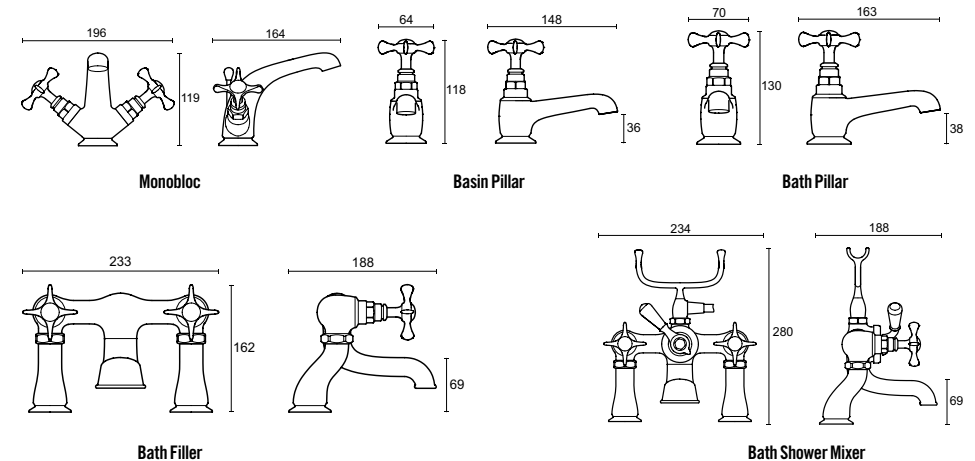


Pillar Taps

Bath Filler

Bath Shower Mixer

TECH DRAWINGS



All dimensions in mm