

TECHNICAL DATA SHEET



MANHATTAN

EasyFit Kitchen Sink Mixer

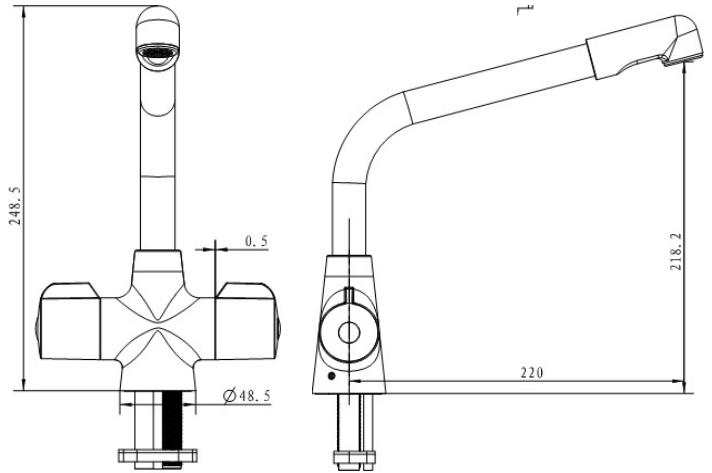
Product Specification

Product Codes & Finishes:	MH SNK EF BGE (Beige) MH SNK EF C (Chrome) MH SNK EF MOC (Mocha) MH SNK EF WHT (White)
Product Type:	Contemporary
Construction:	Body is of brass construction and is designed to conform to BS EN 200
Valve Type:	¼ Turn Ceramic Disc
Supply:	Suitable for all plumbing systems
Inlet Connections:	½" BSP
Working Pressures:	Min 0.2bar, Max 5.0bar



Additional Information

- Unique patented technology.
- Designed with the installer in mind to ensure installation and future maintenance is made quick and easy.
- Supplied with flexible connecting pipes.
- Supplied with easy to use metal lever handle.
- Chrome plated to BS EN 248.

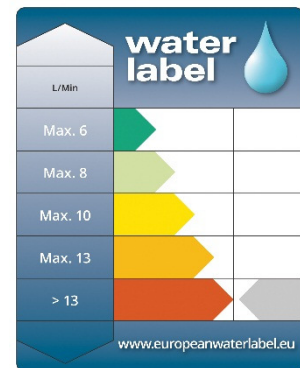


Flow Rates (litres per minute)

System Pressure	0.2bar	0.5bar	1.0bar	3.0bar	5.0bar
MH SNK EF C (Mixed)	6.9	12.6	18.8	33.6	43.38

Compliance / Approvals

WRAS Approval No: 1507950



Technical Advice: For further information please call 0844 7016273 or email customercare@bristan.com

Guarantee: 5 years covering manufacturing faults.

Bristan, Birch Coppice Business Park, Dordon, Tamworth, B78 1SG
Telephone: 0844 701 6274 Facsimile: 0844 701 6275
Web Site: www.bristan.com Email: enquire@bristan.com



The information contained on this page was correct at date of issue. Fitting dimensions are provided as a guide only. Some variation may occur due to manufacturing tolerances. Bristan pursues a policy of continuing improvement in design and performance of its products and so reserves the right to change specifications without prior notice.