

# TECHNICAL DATA SHEET

## CINNAMON

### Easyfit Kitchen Sink Mixer

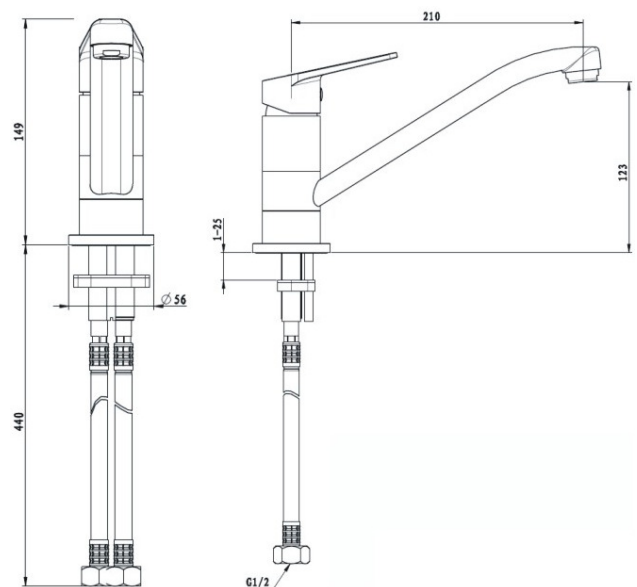
#### Product Specification

Product Code:	CNN EFSNK C
Finish:	Chrome
Product Type:	Contemporary
Construction:	Body is of brass construction and is designed to conform to BS EN 200
Valve Type:	Ceramic Cartridge
Supply:	Suitable for all plumbing systems Preferably Balanced
Inlet Connections:	½" BSP
Working Pressures:	Min 0.5bar, Max 5.0bar



#### Additional Information

- Unique patented technology.
- Designed with the installer in mind to ensure installation and future maintenance is made quick and easy.
- Ceramic disc cartridge for added durability and ease of use.
- Supplied with flexible connecting pipes.
- Supplied with easy to use metal lever handle.
- Chrome plated to BS EN 248.



#### Flow Rates (litres per minute)

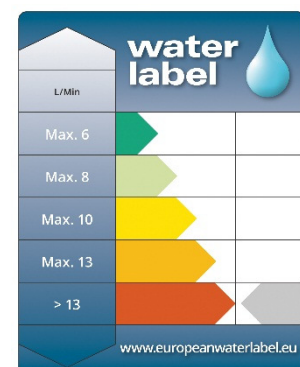
System Pressure	0.3bar	0.5bar	1.0bar	2.0bar	3.0bar	4.0bar
CNN EFSNK C (Mixed)	7.7	10.6	15.5	21.8	26	30.4

#### Compliance / Approvals

WRAS Approval No: 1312020

**Technical Advice:** For further information please call 0844 7016273 or email [customercare@bristan.com](mailto:customercare@bristan.com)

**Guarantee:** 5 years covering manufacturing faults.



Bristan, Birch Coppice Business Park, Dordon, Tamworth, B78 1SG  
Telephone: 0844 701 6274 Facsimile: 0844 701 6275  
Web Site: [www.bristan.com](http://www.bristan.com) Email: [enquire@bristan.com](mailto:enquire@bristan.com)



EASY TO USE

Guarantee

Delivery

0844 7016273

The information contained on this page was correct at date of issue. Fitting dimensions are provided as a guide only. Some variation may occur due to manufacturing tolerances. Bristan pursues a policy of continuing improvement in design and performance of its products and so reserves the right to change specifications without prior notice.