



+ FLUE DEFLECTOR KIT

When replacing any part on this appliance, use only spare parts that you can be assured conform to the safety and performance specification that we require. Do not use reconditioned or copy parts that have not been clearly authorised by Ideal.

For the very latest copy of literature for specification and maintenance practices visit our website www.idealboilers.com where you can download the relevant information in PDF format.

March 2016
UIN 208288 A07

INTRODUCTION

This kit is suitable only for the domestic gas boilers listed below :

Independent C24.....	G.C. No. 47-348-68	Logic System 15IE.....	G.C. No. 41-750-44
Independent C30.....	G.C. No. 47-348-69	Logic System 18IE.....	G.C. No. 41-750-45
Independent C35.....	G.C. No. 47-348-70	Logic System 24IE.....	G.C. No. 41-750-46
Independent + C24.....	G.C. No. 47-348-85	Logic System 30IE.....	G.C. No. 41-750-47
Independent + C30.....	G.C. No. 47-348-86	Logic + System 15.....	G.C. No. 41-750-29
Independent + C35.....	G.C. No. 47-348-87	Logic + System 18.....	G.C. No. 41-750-30
Independent System 15.....	G.C. No. 41-750-48	Logic + System 24.....	G.C. No. 41-750-31
Independent System 18.....	G.C. No. 41-750-49	Logic + System 30.....	G.C. No. 41-750-32
Independent System 24.....	G.C. No. 41-750-50	Logic Code Combi 26.....	G.C. No. 47-348-74
Independent System 30.....	G.C. No. 41-750-51	Logic Code Combi 33.....	G.C. No. 47-348-75
Logic Combi 24.....	G.C. No. 47-348-56	Logic Code Combi 38.....	G.C. No. 47-348-76
Logic Combi 30.....	G.C. No. 47-348-57	Logic Code Combi ES26.....	G.C. No. 47-349-04
Logic Combi 35.....	G.C. No. 47-348-58	Logic Code Combi ES33.....	G.C. No. 47-349-05
Logic Combi E24.....	G.C. No. 47-348-88	Logic Code Combi ES38.....	G.C. No. 47-349-06
Logic Combi E30.....	G.C. No. 47-348-89	i-mini 24.....	G.C. No. 47-348-77
Logic Combi E35.....	G.C. No. 47-348-90	i-mini 30.....	G.C. No. 47-348-78
Logic Combi ES24.....	G.C. No. 47-349-01	Vogue c26.....	G.C. No. 47-348-99
Logic Combi ES30.....	G.C. No. 47-349-02	Vogue c32.....	G.C. No. 47-348-98
Logic Combi ES35.....	G.C. No. 47-349-03	Vogue c40.....	G.C. No. 47-348-97
Logic Combi ESP24.....	G.C. No. 47-349-12	Vogue s15.....	G.C. No. 41-750-56
Logic Combi ESP30.....	G.C. No. 47-349-13	Vogue s18.....	G.C. No. 41-750-55
Logic Combi ESP35.....	G.C. No. 47-349-14	Vogue s26.....	G.C. No. 41-750-54
Logic + Combi 24.....	G.C. No. 47-348-65	Vogue s32.....	G.C. No. 41-750-53
Logic + Combi 30.....	G.C. No. 47-348-66	Project System 15.....	G.C. No. 41-750-59
Logic + Combi 35.....	G.C. No. 47-348-67	Project System 24.....	G.C. No. 41-750-60
Logic Code Combi 26.....	G.C. No. 47-348-74	Project Heat 15.....	G.C. No. 41-750-57
Logic Code Combi 33.....	G.C. No. 47-348-75	Project Heat 24.....	G.C. No. 41-750-58
Logic Code Combi 38.....	G.C. No. 47-348-76	Procombi Exclusive 24.....	G.C. No. 47-348-79
Logic Code Combi ES26.....	G.C. No. 47-349-04	Procombi Exclusive 30.....	G.C. No. 47-348-80
Logic Code Combi ES33.....	G.C. No. 47-349-05	Procombi Exclusive 35.....	G.C. No. 47-348-81
Logic Code Combi ES38.....	G.C. No. 47-349-06	icombi 24.....	G.C. No. 47-348-82
Logic Heat 12.....	G.C. No. 47-399-99	icombi 30.....	G.C. No. 47-348-83
Logic Heat 15.....	G.C. No. 47-409-93	icombi 35.....	G.C. No. 47-348-84
Logic Heat 18.....	G.C. No. 47-409-94	Esprit eco 24.....	G.C. No. 47-348-91
Logic Heat 24.....	G.C. No. 47-409-95	Esprit eco 30.....	G.C. No. 47-348-92
Logic Heat 30.....	G.C. No. 47-409-96	Ideal Classic 24.....	G.C. No. 47-349-07
Logic + Heat 12.....	G.C. No. 47-409-97	Ideal Classic 30.....	G.C. No. 47-349-08
Logic + Heat 15.....	G.C. No. 47-409-98	Ideal Instinct 24.....	G.C. No. 47-349-09
Logic + Heat 18.....	G.C. No. 47-409-99	Ideal Instinct 30.....	G.C. No. 47-349-10
Logic + Heat 24.....	G.C. No. 47-750-21	Ideal Instinct 35.....	G.C. No. 47-349-11
Logic + Heat 30.....	G.C. No. 47-750-22	Zanussi Ultra Combi 30.....	G.C. No. 47-002-01
Logic System 15.....	G.C. No. 41-750-24	Zanussi Ultra Combi 35.....	G.C. No. 47-002-02
Logic System 18.....	G.C. No. 41-750-25	Zanussi Ultra System 15.....	G.C. No. 41-002-01
Logic System 24.....	G.C. No. 41-750-26	Zanussi Ultra System 18.....	G.C. No. 41-002-02
Logic System 30.....	G.C. No. 41-750-27	Zanussi Ultra System 24.....	G.C. No. 41-002-03
		Zanussi Ultra System 30.....	G.C. No. 41-002-04

These instructions must be read in conjunction with the Installation and Servicing Instructions supplied with the boiler.

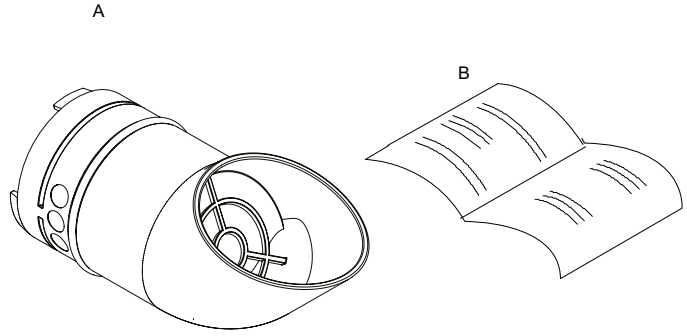
This kit allows the boiler flue outlet to be angled to the left or to the right **ONLY** in order to deflect the flue product exit from the boiler flue terminal.

NOTE. ALWAYS CHECK FLUE INTEGRITY AFTER INSTALLATION

1 UNPACKING

Unpack the kit and check the contents.

- A. Flue Deflector - 1 off
- B. These Installation Instructions - 1 off



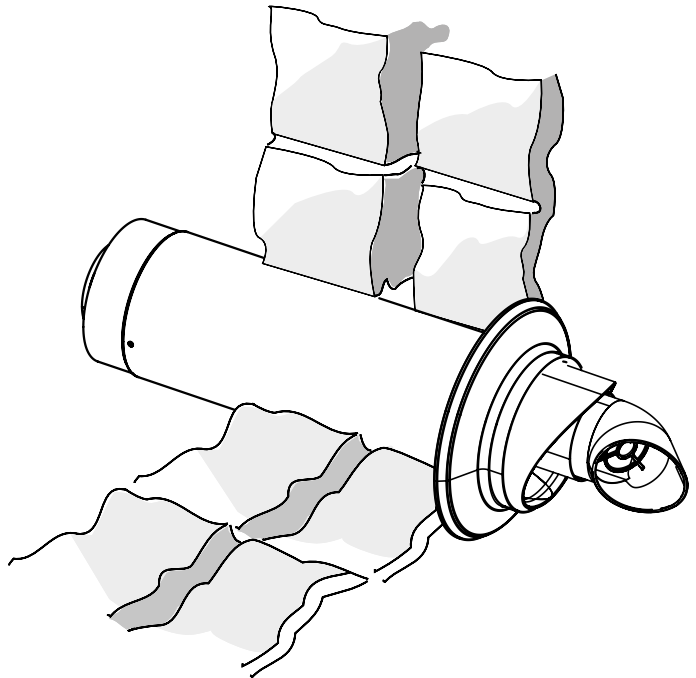
2 FLUE DEFLECTOR FITTING AT INSTALLATION

The flue deflector can be fitted to the flue outlet of the standard terminal pack 'B' to deflect the flue products to the left or the right only to prevent rain ingress.

1. Refer to the boiler Installation and Servicing Instructions for fitting of the boiler and its flue system.

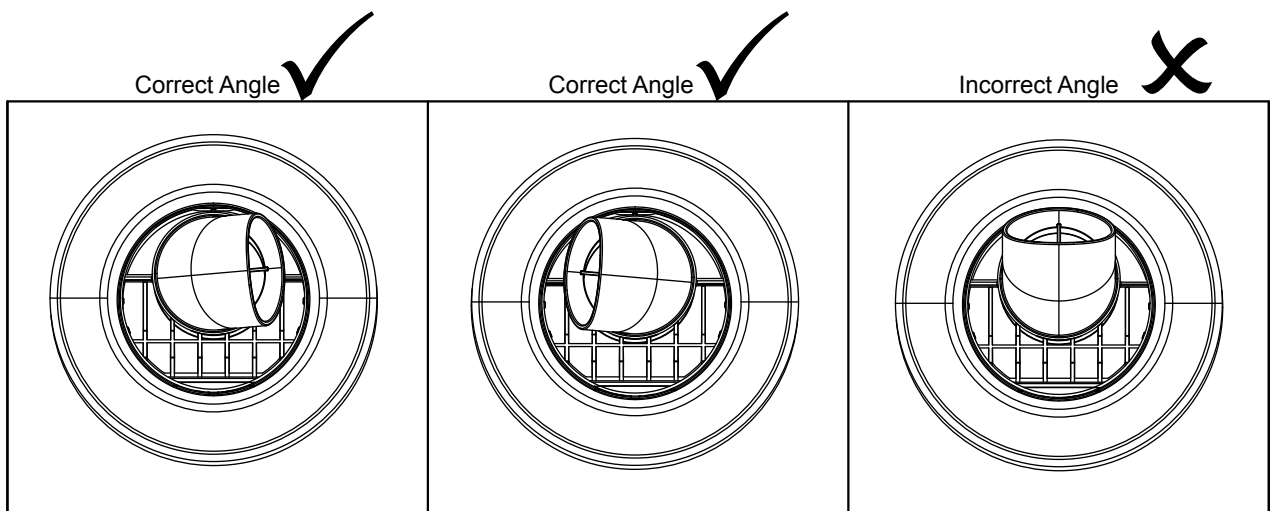
Note. *The resistance of the deflector is equivalent to 1 metre of flue length. Ensure this is used when calculating the maximum allowable flue length.*

2. Choose the direction required to deflect the flue products (left or right only).
3. To remove the outlet terminal nose, grip the outer flue terminal, then using the other hand grip the nose section firmly and twist whilst pulling the nose section out. Note; If unable to remove, grip the top of the nose section firmly with a pair of pliers and pull the nose out. Take care not to damage the flue terminal. Ensure that all flue joints are maintained and the flue integrity has not been compromised.
4. Push fit terminal adaptor into terminal ensuring the correct engagement of the location system and seal. (Note the 2 small engagement dimples on each side of the adaptor must be inline with the mounting face of the terminal.)



Note: *Only use water as a lubricant during assembly. Do not use mineral based oils.*

NOTE: FLUE DEFLECTOR TO BE ANGLED TO THE LEFT OR RIGHT ONLY - NOT UP OR DOWN, TO PREVENT RAIN INGRESS



Technical Training

The Ideal Technical Training Centre offers a series of first class training courses for domestic, commercial and industrial heating installers, engineers and system specifiers. For details of courses please ring: 01482 498 432

Ideal Boilers Ltd., P.O. Box 103, National Ave, Kingston upon Hull, HU5 4JN. Telephone: 01482 492 251 Fax: 01482 448 858. Registration No. London 322 137.

Ideal Boilers Ltd., pursues a policy of continuing improvement in the design and performance of its products. The right is therefore reserved to vary specification without notice.



Installer Support Helpline: 01482 498663
www.idealboilers.com