



Concept Cube 40cm Handrinse Washbasin

Illustrated

- E8031** Concept Cube 40cm handrinse washbasin, 1 taphole with overflow
- E7840** Concept small semi-pedestal
- E0157** Wall fixing set
- B8062** Active single lever one hole basin mixer with pop-up waste.
- S8950** Trap 1¼" plastic P for use with cloakroom pedestal

Configuration options

- E7838** Concept handrinse pedestal
- E6443** Concept 300 x 300mm full pedestal washbasin unit with 1 door

Material

Fine Fireclay

Standards

Washbasin to BS EN 14688 & BS EN 31

Weights

- E8031 10.08KG
- E7840 5.58KG
- E0157 0.16KG
- B8062 2.42KG
- S8950 1.00KG

Special Notes

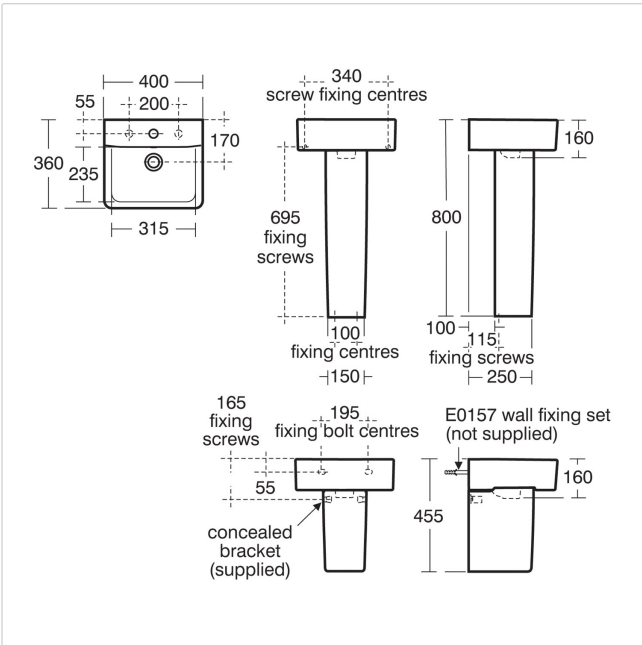
Washbasin wall mounted using E0157 wall fixing set with semi-pedestal fixed to wall with brackets supplied, or full pedestal mounted using 2 screws through the back of the basin (not supplied). When fitted with furniture washbasin must be secured to wall with E0157 wall fixing set

Colours

White (01)

Designer

Robin Levien, RDI



Frequently used applications

- Education
- Hotels
- Pubs and Clubs
- Retail
- General Healthcare
- Office
- Residential
- Sports and Leisure



Email: info@idealspec.co.uk
Tel: 0870 122 8822
Fax: 0870 122 8282
Web: www.idealspec.co.uk

