

Concept Arc 35cm Hand Rinse Washbasin, Left Hand Taphole

Illustrated

- E7988** Concept Arc 35cm hand rinse washbasin, left hand taphole with overflow
- E7838** Concept handrinse pedestal
- E0157** Wall fixing set
- B7884** Ceraplan basin pillar taps with lever handles
- S8950** Trap 1¼" plastic P for use with cloakroom pedestal

Configuration options

- E5010** Pair Steel Wall Hangers

Material

Vitreous China

Standards

Washbasin to BS EN 14688

Weights

- E7988 7.08KG
- E7838 8.50KG
- E0157 0.16KG
- B7884 1.88KG
- S8950 1.00KG

Special Notes

Washbasin wall mounted using E5010 wall hangers or E0157 wall fixing set or full pedestal mounted using 2 screws through back of basin (not supplied).

Colours

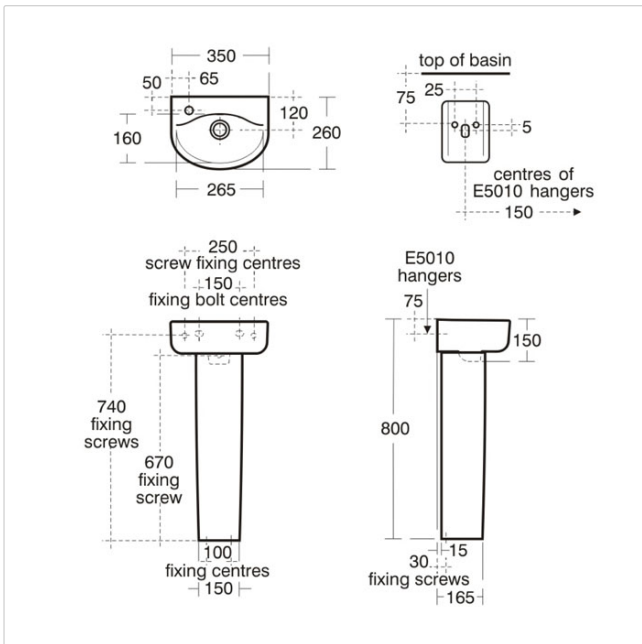
White (01)

Designer

Robin Levien, RDI

Frequently used applications

- | | |
|----------------|--------------------|
| Education | General Healthcare |
| Hotels | Office |
| Pubs and Clubs | Residential |
| Retail | Sports and Leisure |



Email: info@idealspec.co.uk
 Tel: 0870 122 8822
 Fax: 0870 122 8282
 Web: www.idealspec.co.uk

