

Concept Arc 45cm Corner Washbasin, 2 Taphole

Illustrated

- E7929** Concept Arc 45cm corner washbasin, 2 tapholes with overflow and chainstay hole
- E7838** Concept handrinse pedestal
- B9925** Concept washbasin pillar taps
- S8800** Waste 1¼" plastic waste with bead chain and plug, 80mm slotted tail, bolt stay
- E5010** Pair Steel Wall Hangers

Configuration options

- E0157** Wall fixing set
- B5105** Cone basin pillar taps with lever handles
- B7884** Ceraplan basin pillar taps with lever handles
- S8920** Trap 1¼" plastic resealing bottle, 75mm seal, multi-purpose outlet
- E6463** Concept 370 x 380mm wall hung corner washbasin unit with two doors

Material

Fine Fireclay

Standards

Vitreous china to BS 3402

Weights

E7929	9.98KG
E7838	8.50KG
B9925	1.63KG
S8800	0.08KG
E5010	0.10KG

Special Notes

Washbasin all mounted using E5010 wall hangers or E0157 wall fixing set or full pedestal mounted using screw through back of basin (not supplied).

Colours

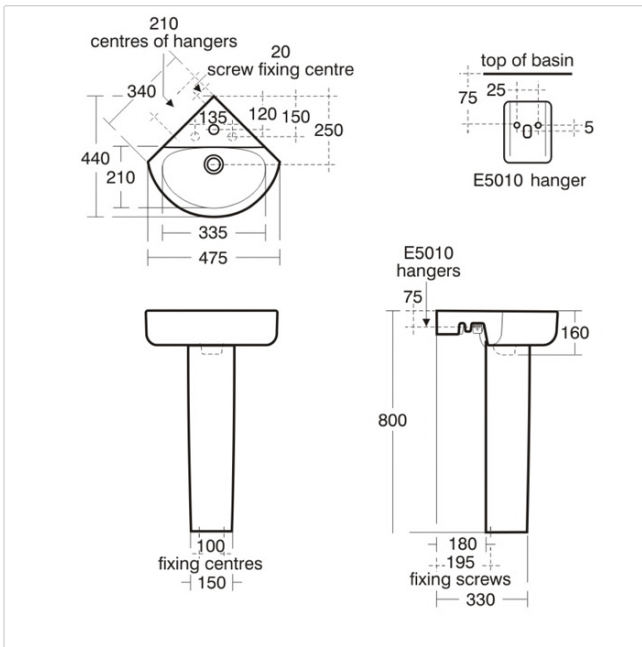
White (01)

Designer

Robin Levien, RDI

Frequently used applications

Education	General Healthcare
Hotels	Office
Pubs and Clubs	Residential
Retail	Sports and Leisure



Email: info@idealspec.co.uk
 Tel: 0870 122 8822
 Fax: 0870 122 8282
 Web: www.idealspec.co.uk

Ideal Standard (UK) Ltd. makes every effort to ensure that the information provided on its website is accurate. However, we cannot guarantee this, and accept no liability for any information or advice given via its website.



Date created: 25/01/2016