



Concept Arc 45cm Corner Washbasin, 1 Taphole

Illustrated

- E7928** Concept Arc 45cm corner washbasin, 1 taphole with overflow
- E7838** Concept handrinse pedestal
- B9915** Concept Blue washbasin mixer 1 hole with pop-up waste
- S8910** Trap 1¼" plastic bottle, 75mm seal, multi-purpose outlet

Configuration options

- E0157** Wall fixing set
- E5010** Pair Steel Wall Hangers
- E6463** Concept 370 x 380mm wall hung corner washbasin unit with two doors

Material

Fine Fireclay

Standards

Washbasin to BS EN 14688 & BS EN 31

Weights

E7928	9.98KG
E7838	8.50KG
B9915	1.89KG
S8910	0.20KG

Special Notes

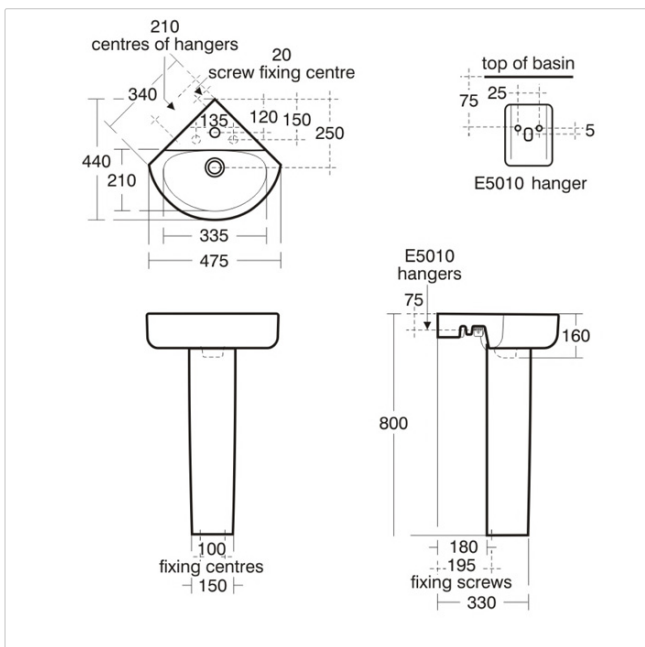
Washbasin wall mounted using E5010 wall hangers or E0157 wall fixing set or full pedestal mounted using 2 screws through back of basin (not supplied)

Colours

White (01)

Designer

Robin Levien, RDI



Frequently used applications

Education	General Healthcare
Hotels	Office
Pubs and Clubs	Residential
Retail	Sports and Leisure



Email: info@idealspec.co.uk
 Tel: 0870 122 8822
 Fax: 0870 122 8282
 Web: www.idealspec.co.uk

