

Concept 170cm x 70cm Idealform Bath No Tapholes



Illustrated

- E7352** Concept 170 x 70cm Idealform bath with no tapholes
- B8077** Active single lever one hole rim mounted bath filler
- E3194** Unilux 170cm front panel
- E3169** Unilux 70cm end panel
- E5795** Waste 1½" bath pop-up waste and overflow components only
- E5800** Bath pop-up waste operating handle and cover only
- A5901** TMV Thermostatic mixing valve 22mm

Configuration options

- A4053** Active dual control two hole thermostatic bath filler
- S8970** Trap 1½" plastic P with 75mm seal, multi-purpose outlet suitable for plastic and BS copper pipe

Material

Idealform

Standards

Constructed to EN 198:2008

Weights

- E7352 20.70KG
- B8077 2.80KG
- E3194 3.65KG
- E3169 2.58KG
- E5795 1.34KG
- E5800 0.82KG
- A5901 1.70KG

Designer

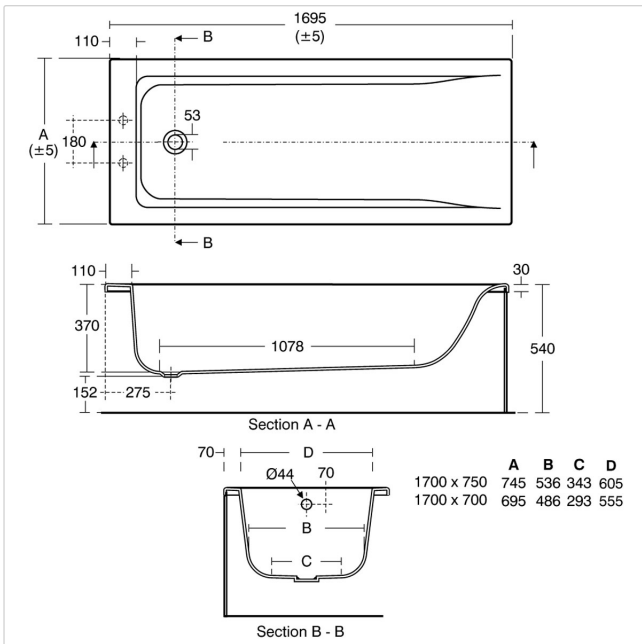
Robin Levien, RDI

Capacity

174 litres (to overflow)

Colours

White (01)



Frequently used applications

- Hotels
- Residential
- Social Housing
- Student Accommodation

Features

Water Saving

Accreditations

Water Label
WRAS



Email: info@idealspec.co.uk
 Tel: 0870 122 8822
 Fax: 0870 122 8282
 Web: www.idealspec.co.uk

