

Concept 170cm x 70cm Idealform Bath 2 Tapholes

Illustrated

- E7292** Concept 170 x 70cm Idealform bath with 2 tapholes
- A4053** Active dual control two hole thermostatic bath filler
- E3194** Unilux 170cm front panel
- E3169** Unilux 70cm end panel
- E5795** Waste 1½" bath pop-up waste and overflow components only
- E5800** Bath pop-up waste operating handle and cover only

Configuration options

- E6500** Concept 170cm Front Bath Panel For Standard Height Baths
- E6502** Concept 70cm End Panel For Standard Height Baths

Material

Idealform

Weights

E7292	20.70KG
A4053	4.50KG
E3194	3.65KG
E3169	2.58KG
E5795	1.34KG
E5800	0.82KG

Standards

Constructed to EN 198:2008. EN 14516

Designer

Robin Levien, RDI

Capacity

174 litres (to overflow)

Colours

White (01)

Frequently used applications

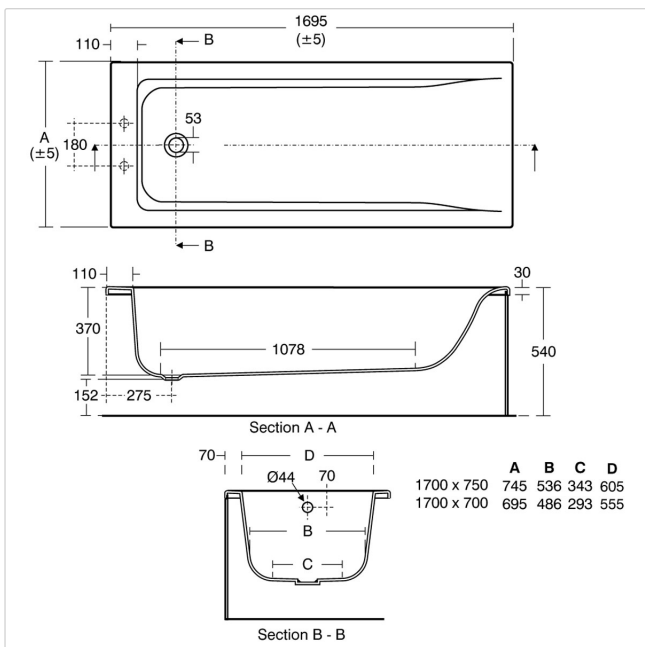
Hotels	Residential
Social Housing	Student Accommodation

Features

Water Saving

Accreditations

Water Label



Email: info@idealspec.co.uk
 Tel: 0870 122 8822
 Fax: 0870 122 8282
 Web: www.idealspec.co.uk

Ideal Standard (UK) Ltd. makes every effort to ensure that the information provided on its website is accurate. However, we cannot guarantee this, and accept no liability for any information or advice given via its website.



Date created: 25/01/2016