



Concept Space Compact Close Coupled/Back To Wall WC Pan - Arc

Illustrated

- E1206** Concept Space compact close coupled/back to wall WC pan
- E7855** Concept Arc close coupled delay fill, valve cistern 4/2.6 litre dual flush push button bottom supply and internal overflow
- E1292** Space seat and cover

Configuration options

- E7860** Concept Arc close coupled cistern 6/4 litre dual flush push button valve bottom supply and internal overflow
- E1293** Space seat and cover, slow close

Material

Vitreous China

Standards

Vitreous china to BS 3402, BS EN 997 & BS EN 33

Weights

- E1206 26.40KG
- E7855 11.36KG
- E1292 2.67KG

Special Notes

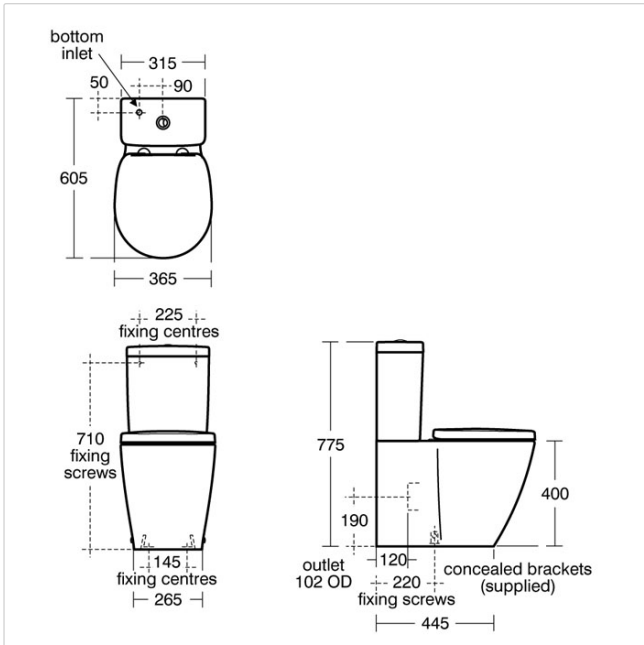
WC screwed to floor and cistern screwed to wall. Joint to wall and WC pan sealed with waterproof sealant (not supplied)

Colours

White (01)

Designer

Robin Levien, RDI



Frequently used applications

- | | |
|-----------------------|--------------------|
| Hotels | Office |
| Pubs and Clubs | Residential |
| Retail | Sports and Leisure |
| Student Accommodation | |

Features

- Space Saving
- Water Saving

Accreditations

- Water Label



Email: info@idealspec.co.uk
 Tel: 0870 122 8822
 Fax: 0870 122 8282
 Web: www.idealspec.co.uk

