



# CARRON BATHROOMS PRODUCT RANGE & SPECIFICATION GUIDE



# CARRON BATHROOMS TRADE RANGE

---

Welcome to the Carron Bathrooms Product Range catalogue, designed to give you easy access to technical specifications for the entire Carron Bathrooms range.

As the UK's premier bath manufacturer, Carron have a reputation for quality products and reliable after sales support. Working with you to ensure an easy installation and a happy customer.

Also, with all our baths being available in our patented, Carronite® material – with a 30 year manufacturer warranty – installing a Carron Bath comes with added peace of mind.

The product pages in this Product Range come with a series of icons showing the optional extras available for each model.



#### CARRONITE™

Carronite™ is Carron's unique patented manufacturing process. Carronite baths are more stable and hold water temperature for longer than a standard acrylic bath. Every Carronite bath comes with a 30 year manufacturer warranty, giving extra peace of mind when installing for a customer.



#### PANELS

Baths with a panel icon have a corresponding panel designed specifically to fit the product in question.



#### HAND GRIPS

Many Carron baths come with hand grips as an optional extra. All Carron hand grips allow for the use of a showerscreen.



#### EASE OF ACCESS

If you require a bath with a lower height, look out for our Ease of Access icon, to assist users with limited mobility.



#### WATER SAVER

Providing a solution for those looking to reduce their water usage, the Water Saver icon shows baths with reduced water capacity.

## CARRONITE

Carronite™ is Carron's unique, patented manufacturing process. We are so confident in the strength and quality of Carronite™ that we offer a 30 year manufacturer warranty.

### HOW DOES CARRONITE™ WORK?

The demonstrable strength of a Carronite™ bath comes from a triple layer reinforcement system. This additional weight means the bath requires to be fitted with a unique frame support system. The combination of the material itself and the frame system ensure the rigidity and stability of the bath.



Stronger



Warmer



Peace of Mind

**CARRONITE™** 

Designed to last a lifetime



# CONTENTS

## RECTANGULAR BATHS

SITBATH 1200x700	10	ARC DUO 1700x750	51
DELTA 1400x700	11	ARC SE 1700x750	52
IMPERIAL TG 1400x700	12	BRITANNIA CLASSIC 1700x750	53
ARC SE 1500x700	13	ECHELON (INCLUDES FILLER) 1700x750	54
AXIS 1500x700	14	EQUATION 1700x750	55
DELTA 1500x700	15	EQUITY 1700x750	56
IMPERIAL TG 1500x700	16	INDEX 1700x750	57
MATRIX 1500x700	17	PROFILE 1700x750 <b>NEW</b>	58
PROFILE 1500x700 <b>NEW</b>	18	QUANTUM DUO 1700x750	59
QUANTUM INTEGRA 1500x700	19	QUANTUM INTEGRA 1700x750	60
QUANTUM SE 1500x700	20	QUANTUM SE 1700x750	61
AXIS 1600x700	21	QUANTUM SPACESAVER 1700x750	62
DELTA 1600x700	22	SIGMA 1700x750	63
IMPERIAL TG 1600x700	23	APEX 1700x800	64
MATRIX 1600x700	24	HAIKU 1700x800	65
PROFILE 1600x700 <b>NEW</b>	25	QUANTUM DUO 1700x800	66
QUANTUM INTEGRA 1600x700	26	QUANTUM INTEGRA 1700x800	67
QUANTUM SE 1600x700	27	QUANTUM SE 1700x800	68
STATUS 1600x725	28	SIGMA 1700x800	69
SIGMA 1600x750	29	STATUS 1700x800	70
QUANTUM SE 1600x800	30	SWALLOW TG 1800x700	71
DELTA 1650x700	31	QUANTUM SE 1800x725	72
DELTA 1675x700	32	IMPERIAL TG 1800x750	73
IMPERIAL TG 1675x700	33	ALPHA 1800x800	74
ALPHA 1700x700	34	ARC DUO 1800x800	75
ARC SE 1700x700	35	ECHELON (INC FILLER) 1800x800	76
AXIS 1700x700	36	EQUATION 1800x800	77
BRITANNIA 1700x700	37	EQUITY 1800x800	78
DELTA 1700x700	38	HAIKU 1800x800	79
IMPERIAL TG 1700x700	39	QUANTUM DUO 1800x800	80
MATRIX 1700x700	40	QUANTUM INTEGRA 1800x800	81
PROFILE 1700x700 <b>NEW</b>	41	QUANTUM SE 1800x800	82
QUANTUM DUO 1700x700	42	SIGMA 1800x800	83
QUANTUM INTEGRA 1700x700	43	HAIKU 1800x900	84
QUANTUM INTEGRA ECO 430	44	MISTRAL 1800x700-900	85
QUANTUM INTEGRA ECO 515	45	LINEA 1900x900	86
QUANTUM SE 1700x700	46	QUANTUM DUO 1900x900	87
SWALLOW TG 1700x700	47	SIGMA 1900x900	88
STATUS 1700x725	48		
URBAN 1700x725	49		
ALPHA 1700x750	50		

## SHOWERBATHS

QUANTUM 1500x700-850	92
URBAN COMPACT 1500x750-900	93
STATUS 1550x850	94
URBAN EDGE 1550x700-850 <b>NEW</b>	95
URBAN SWING 1575x850 <b>NEW</b>	96
DELTA 1600x700-800	97
QUANTUM 1600x700-850	98
ASPECT 1700x700-800	99
DELTA 1700x700-800	100
AGENDA 1700x700-820	101
ARC 1700x700-850	102
QUANTUM 1700x700-850	103
URBAN 1700x750-900	104
SIGMA 1800x750-900	105

## FREESTANDING BATHS

PARADIGM 1550x850	108
ASCOLI 1700x750	109
HALCYON OVAL 1750x800	110
HALCYON SQUARE 1750x800	111
HALCYON 'D' 1750x800 <b>NEW</b>	112
ELYSEE 1800x900	113
CELSIUS 1910x910	114

## CORNER BATHS

DOVE 1550x950	118
OMEGA 1700x1000	119
ORIOLE 1200x1200	120
MONARCH 1300x1300	121
TRANQUILITY 1300x1300	122
CENTENNIAL 1500x1500	123

## CELSIUS RANGE

CELSIUS 700	126
CELSIUS 750	127
CELSIUS 1800	128
CELSIUS SHOWERBATH	129
CELSIUS OVAL	130
CELSIUS DUO	131

## PANELS & ACCESSORIES

"L" SHAPED PANELS	133
CONCORD FRONT PANELS	133
QUANTUM FRONT PANELS	133
END PANELS	134
SPECIAL PANELS	134
HEADRESTS	134



## RECTANGULAR BATHS

The most popular bath shape needs to come in a wide range of sizes and configurations. The Carron range of rectangular baths has every base covered with lengths ranging from 1200mm to 1900mm over a selection of width options.

### GRIP OPTIONS

Chrome handgrips available on many of our rectangular baths. Please order using appropriate product code.



CCG-1 CHROME HANDGRIP



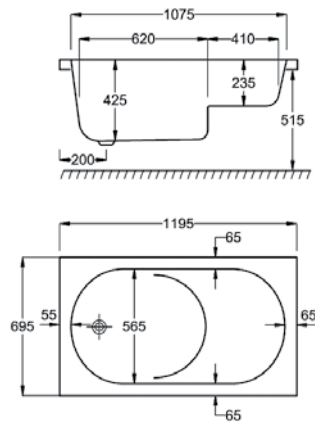
CCG-2 CHROME HANDGRIP

### BATHS OPPOSITE:

Top Profile, bottom left Quantum Duo, bottom right Equity.

## SITBATH

		5MM	CARRONITE
L 1200MM	SITBATH	✓	✓
W 700MM			



Carronite

**WATER CAPACITY**

125 LTR

This measurement is taken to the overflow

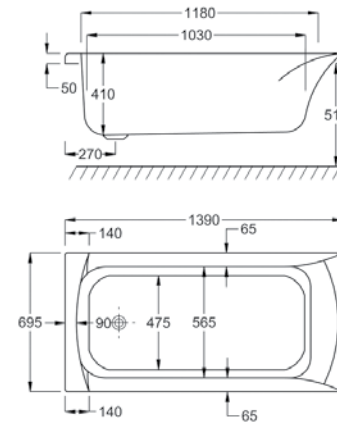
**KIT REFERENCES**

STANDARD - IK-UK-R4

CARRONITE - IK-UK-R4

## DELTA

		5MM	CARRONITE
L 1400MM	DELTA	✓	✓
W 700MM	FRONT PANEL 1400x515	✓	✓
	END PANEL 700x515	✓	✓
	SCREEN CFS-1 (H=1400MM)	✓	✓
	SCREEN CFS-2 (H=1500MM)	✓	✓
	GRIPS CCG-1	✓	✓



Carronite



Panel



Hand Grips

**WATER CAPACITY**

142 LTR

This measurement is taken to the overflow

**KIT REFERENCES**

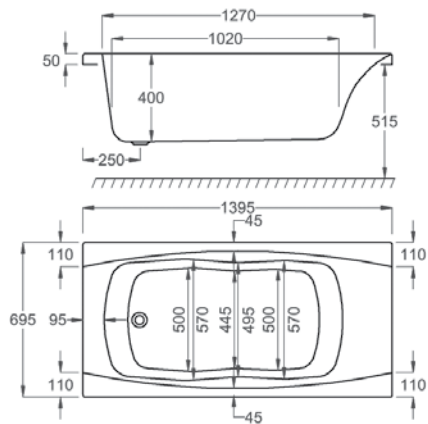
STANDARD - AK-01

CARRONITE - AK-01-C

# IMPERIAL TG

L 1400MM  
W 700MM

	5MM	CARRONITE
IMPERIAL 1400 TG	✓	✓
FRONT PANEL 1400x515	✓	✓
END PANEL 700x515	✓	✓
SCREEN CFS-1 (H=1400MM)	✓	✓
SCREEN CFS-2 (H=1500MM)	✓	✓



Carronite



Panel



Hand Grips

## WATER CAPACITY

135 LTR

This measurement is taken to the overflow

## KIT REFERENCES

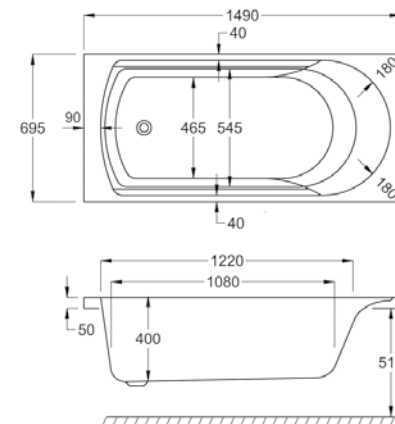
STANDARD - AK-01

CARRONITE - AK-01-C

# ARC SE

L 1500MM  
W 700MM

	5MM	CARRONITE
ARC 1500	✓	✓
L-PANEL 1500x700x515	-	✓
FRONT PANEL 1500x515	✓	✓
END PANEL 700x515	✓	✓
SCREEN CFS-1 (H=1400MM)	✓	✓
SCREEN CFS-2 (H=1500MM)	✓	✓
GRIPS CCG-2	✓	✓



Carronite



Panel



Hand Grips

## WATER CAPACITY

150 LTR

This measurement is taken to the overflow

## KIT REFERENCES

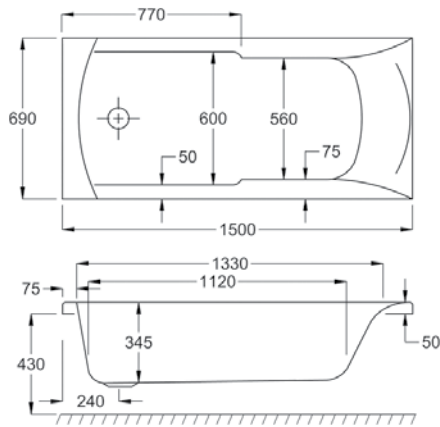
STANDARD - AK-01

CARRONITE - AK-01-C

# AXIS

L 1500MM  
W 700MM

	5MM	CARRONITE
AXIS	✓	✓
FRONT PANEL 1500x430	✓	✓
END PANEL 700x430	✓	✓
SCREEN CFS-1 (H=1400MM)	✓	✓
SCREEN CFS-2 (H=1500MM)	✓	✓
GRIPS CCG-2	✓	✓



**WATER CAPACITY**  
131 LTR

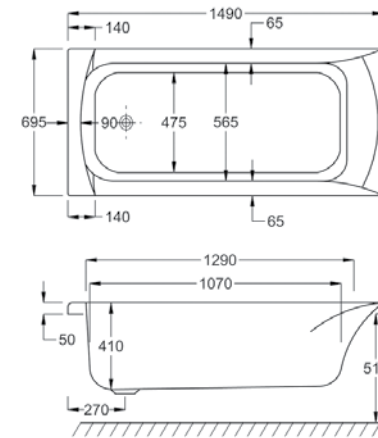
This measurement is taken to the overflow

**KIT REFERENCES**  
STANDARD - AK-01  
CARRONITE - AK-01-C

# DELTA

L 1500MM  
W 700MM

	5MM	CARRONITE
DELTA 1500	✓	✓
L-PANEL 1500x700x515	-	✓
FRONT PANEL 1500x515	✓	✓
END PANEL 700x515	✓	✓
SCREEN CFS-1 (H=1400MM)	✓	✓
SCREEN CFS-2 (H=1500MM)	✓	✓
GRIPS CCG-1	✓	✓



**WATER CAPACITY**  
152 LTR

This measurement is taken to the overflow

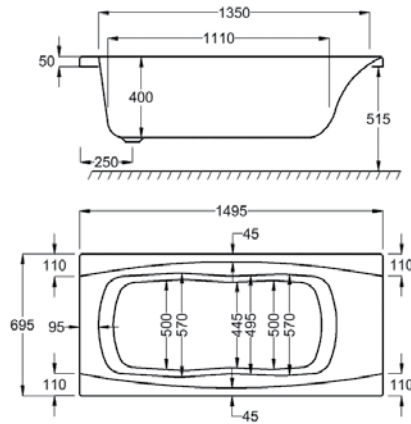
**KIT REFERENCES**  
STANDARD - AK-01  
CARRONITE - AK-01-C



# IMPERIAL TG

L 1500MM  
W 700MM

	5MM	CARRONITE
<b>IMPERIAL TG</b>	✓	✓
L-PANEL 1500x700x515	-	✓
FRONT PANEL 1500x515	✓	✓
END PANEL 700x515	✓	✓
SCREEN CFS-1 (H=1400MM)	✓	✓
SCREEN CFS-2 (H=1500MM)	✓	✓
GRIPS CFG-2	✓	✓



Carronite



Panel



Hand Grips

## WATER CAPACITY

145 LTR

This measurement is taken to the overflow

## KIT REFERENCES

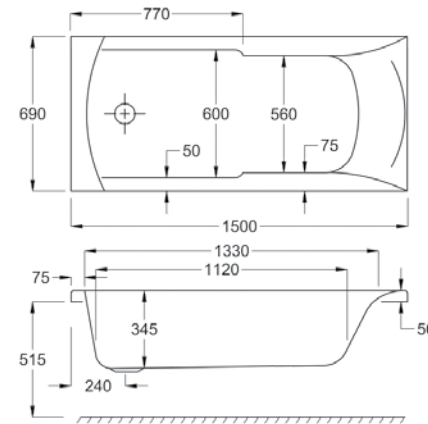
STANDARD - AK-01

CARRONITE - AK-01-C

# MATRIX

L 1500MM  
W 700MM

	5MM	CARRONITE
<b>MATRIX</b>	✓	✓
L-PANEL 1500x700x515	-	✓
FRONT PANEL 1500x515	✓	✓
END PANEL 700x515	✓	✓
SCREEN CFS-1 (H=1400MM)	✓	✓
SCREEN CFS-2 (H=1500MM)	✓	✓
GRIPS CCG-2	✓	✓



Carronite



Panel



Hand Grips



Water Saver

## WATER CAPACITY

131 LTR

This measurement is taken to the overflow

## KIT REFERENCES

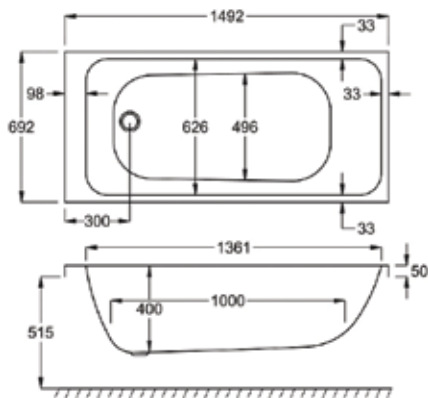
STANDARD - AK-02

CARRONITE - AK-02-C

# PROFILE

**NEW PRODUCT**

	5MM	CARRONITE
L 1500MM		
W 700MM		
<b>PROFILE</b>	✓	✓
L-PANEL 1500x700x515	-	✓
FRONT PANEL 1500x515	✓	✓
END PANEL 700x515	✓	✓
SCREEN CFS-1 (H=1400MM)	✓	✓
SCREEN CFS-2 (H=1500MM)	✓	✓



Carronite



Panel

**WATER CAPACITY**

190 LTR

This measurement is taken to the overflow

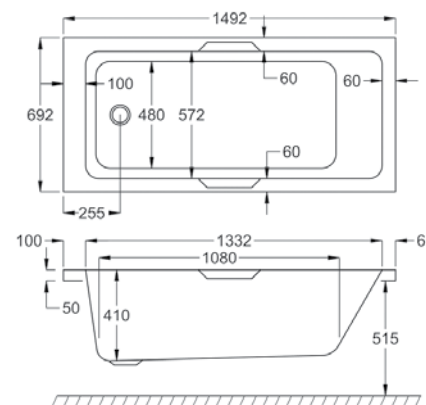
**KIT REFERENCES**

STANDARD - AK-01

CARRONITE - AK-01-C

# QUANTUM INTEGRA

	5MM	CARRONITE
L 1500MM		
W 700MM		
<b>QUANTUM INTEGRA</b>	✓	✓
L-PANEL 1500x700x515	-	✓
FRONT PANEL 1500x515	✓	✓
END PANEL 700x515	✓	✓
SCREEN CFS-1 (H=1400MM)	✓	✓
SCREEN CFS-2 (H=1500MM)	✓	✓



Carronite



Panel



Hand Grips

**WATER CAPACITY**

198 LTR

This measurement is taken to the overflow

**KIT REFERENCES**

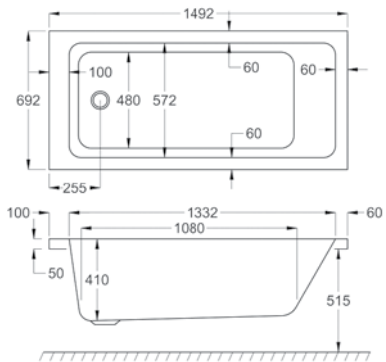
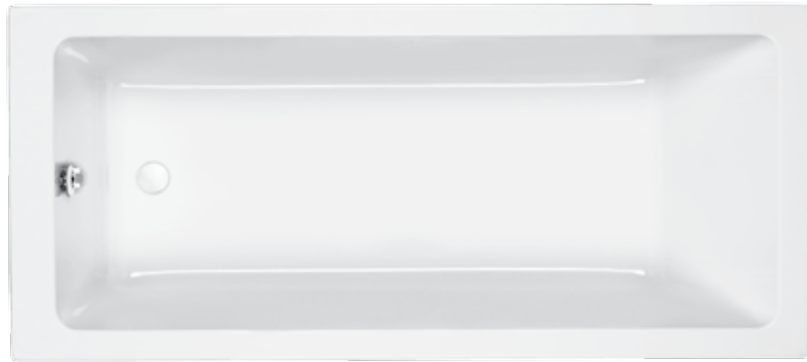
STANDARD - AK-01

CARRONITE - AK-01-C

# QUANTUM SE

L 1500MM  
W 700MM

	5MM	CARRONITE
<b>QUANTUM SE</b>	✓	✓
L-PANEL 1500x700x515	-	✓
FRONT PANEL 1500x515	✓	✓
END PANEL 700x515	✓	✓
SCREEN CFS-1 (H=1400MM)	✓	✓
SCREEN CFS-2 (H=1500MM)	✓	✓



Carronite



Panel

**WATER CAPACITY**  
198 LTR

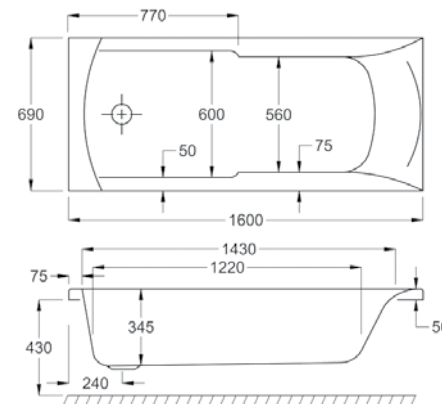
This measurement is taken to the overflow

**KIT REFERENCES**  
STANDARD - AK-01  
CARRONITE - AK-01-C

# AXIS

L 1600MM  
W 700MM

	5MM	CARRONITE
<b>AXIS</b>	✓	✓
FRONT PANEL 1600x430	✓	✓
END PANEL 700x430	✓	✓
SCREEN CFS-1 (H=1400MM)	✓	✓
SCREEN CFS-2 (H=1500MM)	✓	✓
GRIPS CCG-2	✓	✓



Carronite



Panel



Hand Grips



Ease of Access



Water Saver

**WATER CAPACITY**  
138 LTR

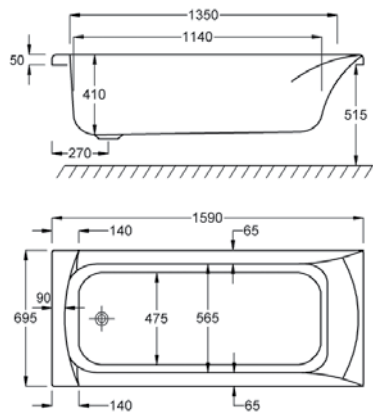
This measurement is taken to the overflow

**KIT REFERENCES**  
STANDARD - AK-01  
CARRONITE - AK-01-C

# DELTA

L 1600MM  
W 700MM

	5MM	CARRONITE
<b>DELTA</b>	✓	✓
L-SHAPED PANEL 1600x700x540	-	✓
FRONT PANEL 1600x515	✓	✓
END PANEL 700x515	✓	✓
SCREEN CFS-1 (H=1400MM)	✓	✓
SCREEN CFS-2 (H=1500MM)	✓	✓
GRIPS CCG-1	✓	✓



Carronite



Panel



Hand Grips

### WATER CAPACITY

162 LTR

This measurement is taken to the overflow

### KIT REFERENCES

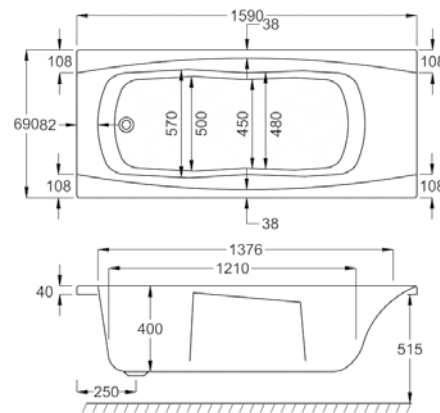
STANDARD - AK-01

CARRONITE - AK-01-C

# IMPERIAL TG

L 1600MM  
W 700MM

	5MM	CARRONITE
<b>IMPERIAL TG</b>	✓	✓
L-PANEL 1600x700x515	-	✓
FRONT PANEL 1600x515	✓	✓
END PANEL 700x515	✓	✓
SCREEN CFS-1 (H=1400MM)	✓	✓
SCREEN CFS-2 (H=1500MM)	✓	✓
GRIPS CCG-2	✓	✓



Carronite



Panel



Hand Grips

### WATER CAPACITY

162 LTR

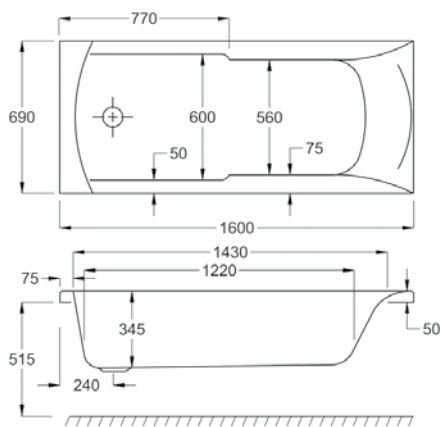
This measurement is taken to the overflow

### KIT REFERENCES

STANDARD - AK-01

CARRONITE - AK-01-C

		5MM	CARRONITE
L 1600MM	<b>MATRIX</b>	✓	✓
W 700MM	L-PANEL 1600x700x515	-	✓
	FRONT PANEL 1600x515	✓	✓
	END PANEL 700x515	✓	✓
	SCREEN CFS-1 (H=1400MM)	✓	✓
	SCREEN CFS-2 (H=1500MM)	✓	✓
	GRIPS CCG-2	✓	✓



Carronite



Panel



Hand Grips



Water Saver

**WATER CAPACITY**

138 LTR

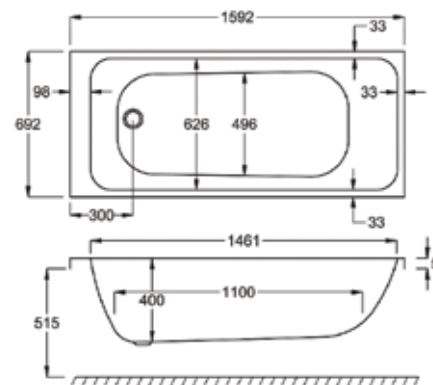
This measurement is taken to the overflow

**KIT REFERENCES**

STANDARD - AK-02

CARRONITE - AK-02-C

		5MM	CARRONITE
L 1600MM	<b>PROFILE</b>	✓	✓
W 700MM	L-PANEL 1600x700x515	-	✓
	FRONT PANEL 1600x515	✓	✓
	END PANEL 700x515	✓	✓
	SCREEN CFS-1 (H=1400MM)	✓	✓
	SCREEN CFS-2 (H=1500MM)	✓	✓



Carronite



Panel

**WATER CAPACITY**

204 LTR

This measurement is taken to the overflow

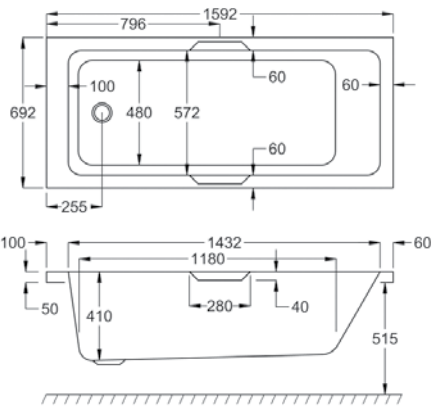
**KIT REFERENCES**

STANDARD - AK-01

CARRONITE - AK-01-C

# QUANTUM INTEGRA

		5MM	CARRONITE
L 1600MM	QUANTUM INTEGRA	✓	✓
W 700MM	L-PANEL 1600x700x515	-	✓
	FRONT PANEL 1600x515	✓	✓
	END PANEL 700x515	✓	✓
	SCREEN CFS-1 (H=1400MM)	✓	✓
	SCREEN CFS-2 (H=1500MM)	✓	✓



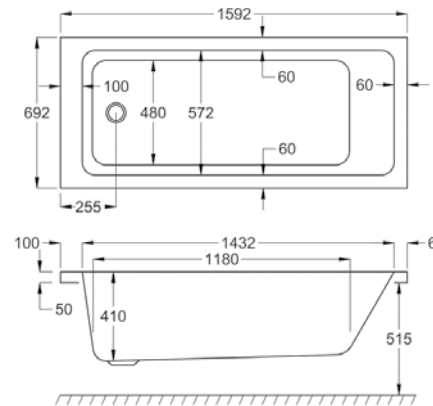
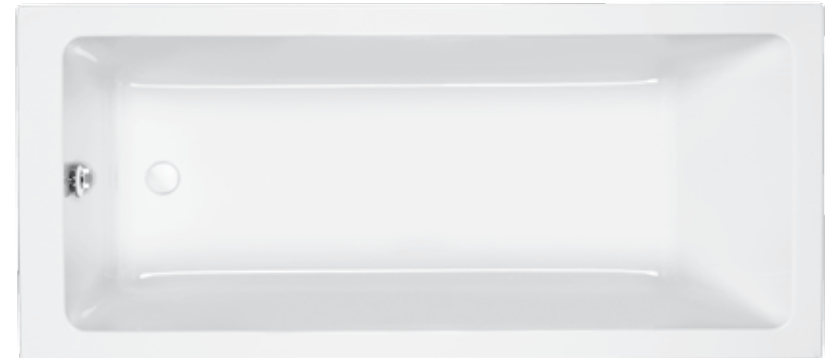
-  Carronite
-  Panel
-  Hand Grips

**WATER CAPACITY**  
213 LTR  
This measurement is taken to the overflow

**KIT REFERENCES**  
STANDARD - AK-01  
CARRONITE - AK-01-C

# QUANTUM SE

		5MM	CARRONITE
L 1600MM	QUANTUM SE	✓	✓
W 700MM	L-PANEL 1600x700x515	-	✓
	FRONT PANEL 1600x515	✓	✓
	END PANEL 700x515	✓	✓
	SCREEN CFS-1 (H=1400MM)	✓	✓
	SCREEN CFS-2 (H=1500MM)	✓	✓



-  Carronite
-  Panel

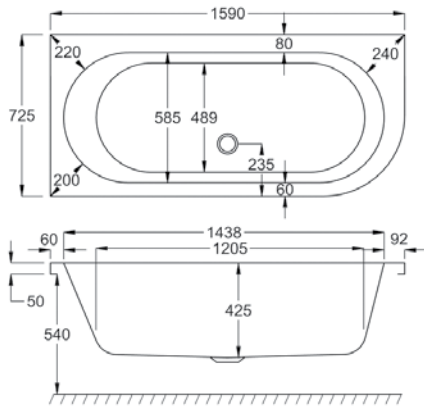
**WATER CAPACITY**  
213 LTR  
This measurement is taken to the overflow

**KIT REFERENCES**  
STANDARD - AK-01  
CARRONITE - AK-01-C

# STATUS

L 1600MM  
W 725MM

	5MM	CARRONITE
<b>STATUS</b>	✓	✓
STATUS FRONT PANEL 1600	✓	✓
SCREEN CFS-1 (H=1400MM)	✓	✓
SCREEN CFS-2 (H=1500MM)	✓	✓



Left hand and right hand baths available.  
Right hand bath shown.



Carronite



Panel

### WATER CAPACITY

197 LTR

This measurement is taken to the overflow

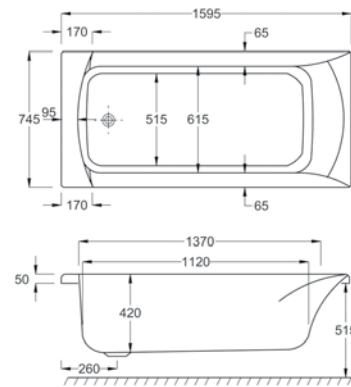
### KIT REFERENCES

STANDARD - AK-01  
CARRONITE - AK-01-C

# SIGMA

L 1600MM  
W 750MM

	5MM	CARRONITE
<b>SIGMA</b>	✓	✓
L-PANEL 1600x750x515	-	✓
FRONT PANEL 1600x540	✓	✓
END PANEL 750x540	✓	✓
SCREEN CFS-1 (H=1400MM)	✓	✓
SCREEN CFS-2 (H=1500MM)	✓	✓
GRIPS CCG-1	✓	✓



Carronite



Panel



Hand Grips

### WATER CAPACITY

175 LTR

This measurement is taken to the overflow

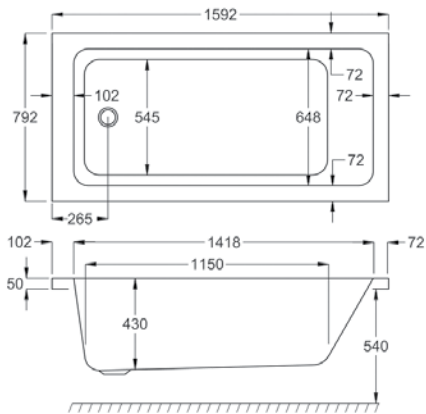
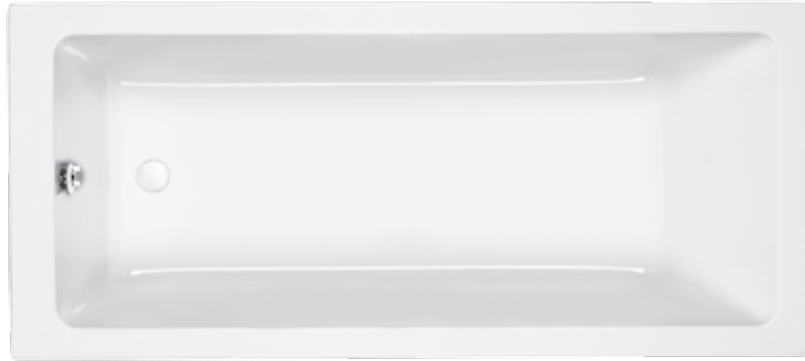
### KIT REFERENCES

STANDARD - AK-01  
CARRONITE - AK-01-C

# QUANTUM SE

L 1600MM  
W 800MM

	5MM	CARRONITE
<b>QUANTUM SE</b>	✓	✓
L-PANEL 1600x800x540	-	✓
FRONT PANEL 1600x540	✓	✓
END PANEL 800x540	✓	✓
SCREEN CFS-1 (H=1400MM)	✓	✓
SCREEN CFS-2 (H=1500MM)	✓	✓



Carronite



Panel

## WATER CAPACITY

247 LTR

This measurement is taken to the overflow

## KIT REFERENCES

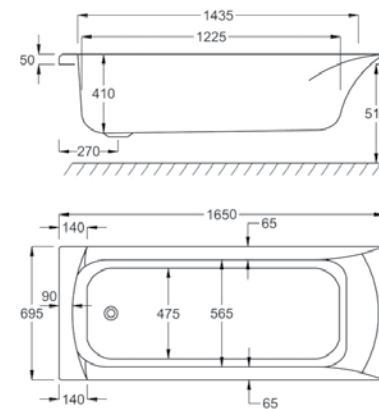
STANDARD - AK-03

CARRONITE - AK-03-C

# DELTA

L 1650MM  
W 700MM

	5MM	CARRONITE
<b>DELTA</b>	✓	✓
L-PANEL 1650x700x515	-	✓
FRONT PANEL 1650x515	✓	✓
END PANEL 700x515	✓	✓
SCREEN CFS-1 (H=1400MM)	✓	✓
SCREEN CFS-2 (H=1500MM)	✓	✓
GRIPS CCG-1	✓	✓



Carronite



Panel



Hand Grips

## WATER CAPACITY

167 LTR

This measurement is taken to the overflow

## KIT REFERENCES

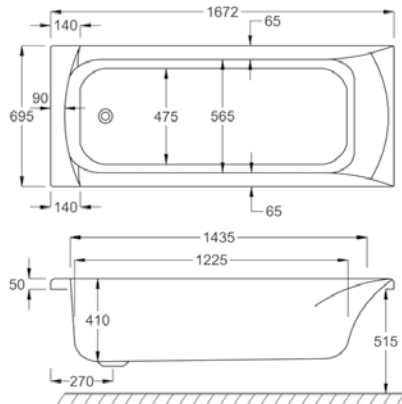
STANDARD - AK-01

CARRONITE - AK-01-C



L 1675MM  
W 700MM

	5MM	CARRONITE
<b>DELTA</b>	✓	✓
L-PANEL 1675x700x515	-	✓
FRONT PANEL 1675x515	✓	✓
END PANEL 700x515	✓	✓
SCREEN CFS-1 (H=1400MM)	✓	✓
SCREEN CFS-2 (H=1500MM)	✓	✓
GRIPS CCG-1	✓	✓



Carronite



Panel



Hand Grips

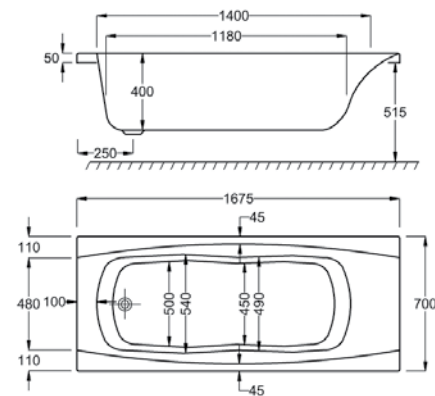
**WATER CAPACITY**  
170 LTR

This measurement is taken to the overflow

**KIT REFERENCES**  
STANDARD - AK-01  
CARRONITE - AK-01-C

L 1675MM  
W 700MM

	5MM	CARRONITE
<b>IMPERIAL TG</b>	✓	✓
L-PANEL 1675x700x515	-	✓
FRONT PANEL 1675x515	✓	✓
END PANEL 700x515	✓	✓
SCREEN CFS-1 (H=1400MM)	✓	✓
SCREEN CFS-2 (H=1500MM)	✓	✓
GRIPS CCG-2	✓	✓



Carronite



Panel



Hand Grips

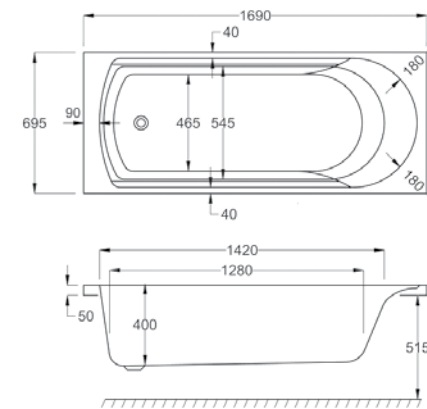
**WATER CAPACITY**  
180 LTR

This measurement is taken to the overflow

**KIT REFERENCES**  
STANDARD - AK-01  
CARRONITE - AK-01-C

# ARC SE

		5MM	CARRONITE
L 1700MM	ARC	✓	✓
W 700MM	L-SHAPED PANEL 1700x700x515	-	✓
	FRONT PANEL 1700x515	✓	✓
	END PANEL 700x515	✓	✓
	SCREEN CFS-1 (H=1400MM)	✓	✓
	SCREEN CFS-2 (H=1500MM)	✓	✓
	GRIPS CCG-2	✓	✓



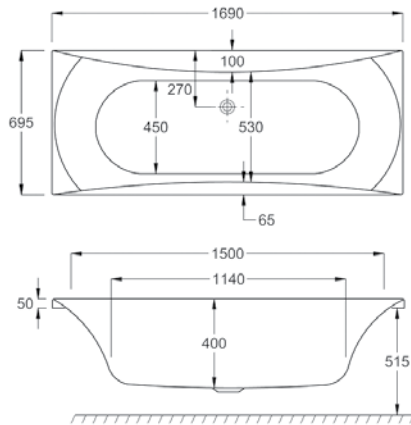
-  Carronite
-  Panel
-  Hand Grips

**WATER CAPACITY**  
172 LTR  
This measurement is taken to the overflow

**KIT REFERENCES**  
STANDARD - AK-01  
CARRONITE - AK-01-C

# ALPHA

		5MM	CARRONITE
L 1700MM	ALPHA	✓	✓
W 700MM	L-SHAPED PANEL 1700x700x515	-	✓
	FRONT PANEL 1700x515	✓	✓
	END PANEL 700x515	✓	✓



-  Carronite
-  Panel

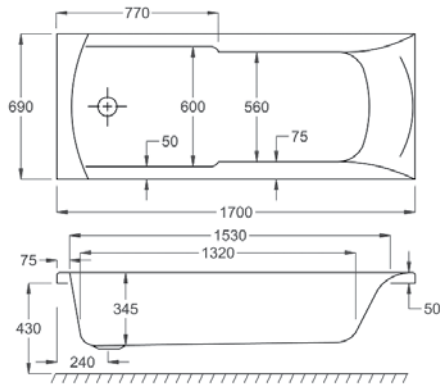
**WATER CAPACITY**  
160 LTR  
This measurement is taken to the overflow

**KIT REFERENCES**  
STANDARD - AK-01  
CARRONITE - AK-01-C

# AXIS

L 1700MM  
W 700MM

	5MM	CARRONITE
AXIS	✓	✓
FRONT PANEL 1700x430	✓	✓
END PANEL 700x430	✓	✓
SCREEN CFS-1 (H=1400MM)	✓	✓
SCREEN CFS-2 (H=1500MM)	✓	✓
GRIPS CCG-2	✓	✓



Carronite



Panel



Hand Grips



Ease of Access



Water Saver

## WATER CAPACITY

145 LTR

This measurement is taken to the overflow

## KIT REFERENCES

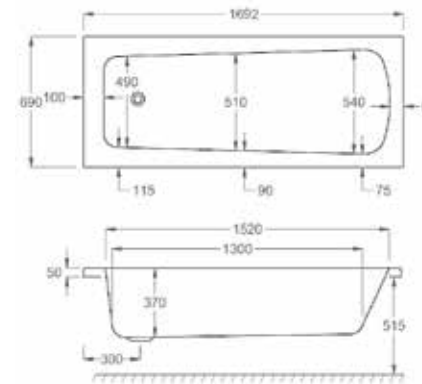
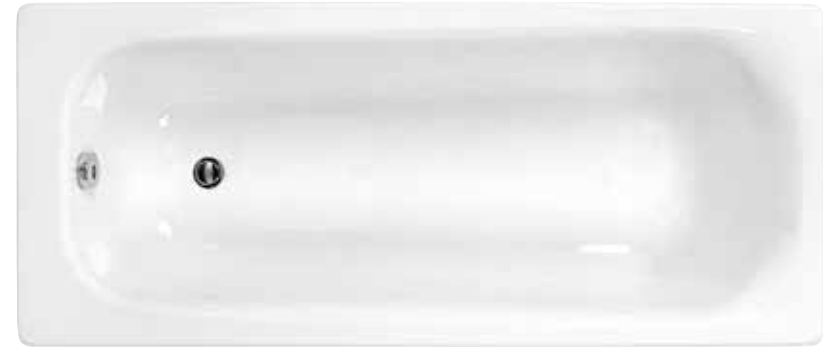
STANDARD - AK-01

CARRONITE - AK-01-C

# BRITANNIA

L 1700MM  
W 700MM

	5MM	CARRONITE
BRITANNIA	✓	✓
L-SHAPED PANEL 1700x700x515	-	✓
FRONT PANEL 1700x515	✓	✓
END PANEL 700x515	✓	✓
SCREEN CFS-1 (H=1400MM)	✓	✓
SCREEN CFS-2 (H=1500MM)	✓	✓



Carronite



Panel

## WATER CAPACITY

155 LTR

This measurement is taken to the overflow

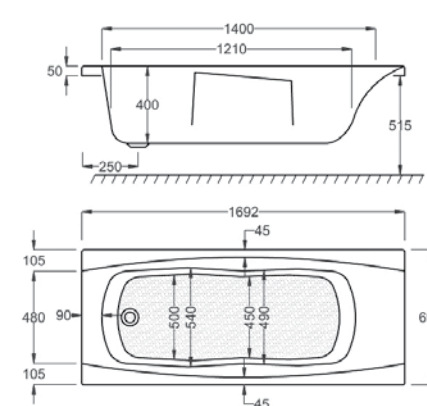
## KIT REFERENCES

STANDARD - AK-02

CARRONITE - AK-02-C

# IMPERIAL TG

		5MM	CARRONITE
L 1700MM	IMPERIAL TG	✓	✓
W 700MM	L-SHAPED PANEL 1700x700x515	-	✓
	FRONT PANEL 1700x515	✓	✓
	END PANEL 700x515	✓	✓
	SCREEN CFS-1 (H=1400MM)	✓	✓
	SCREEN CFS-2 (H=1500MM)	✓	✓
	GRIPS CCG-2	✓	✓



-   
Carronite
-   
Panel
-   
Hand Grips

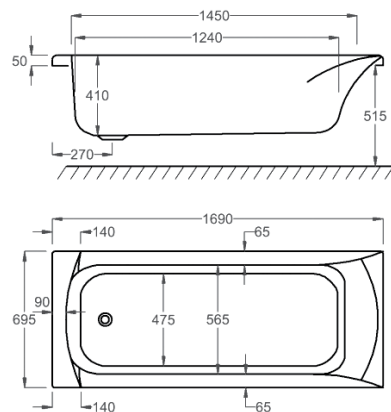
**WATER CAPACITY**  
180 LTR

This measurement is taken to the overflow

**KIT REFERENCES**  
STANDARD - AK-01  
CARRONITE - AK-01-C

# DELTA

		5MM	CARRONITE
L 1700MM	DELTA	✓	✓
W 700MM	L-SHAPED PANEL 1700x700x515	-	✓
	FRONT PANEL 1700x515	✓	✓
	END PANEL 700x515	✓	✓
	SCREEN CFS-1 (H=1400MM)	✓	✓
	SCREEN CFS-2 (H=1500MM)	✓	✓
	GRIPS CCG-1	✓	✓



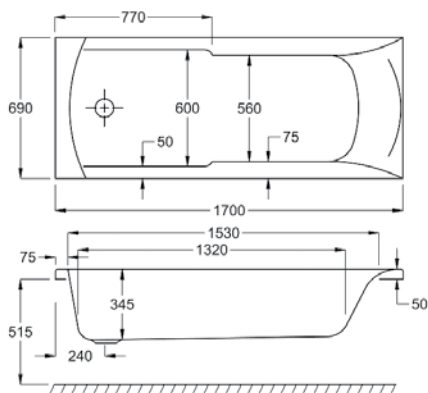
-   
Carronite
-   
Panel
-   
Hand Grips

**WATER CAPACITY**  
170 LTR

This measurement is taken to the overflow

**KIT REFERENCES**  
STANDARD - AK-01  
CARRONITE - AK-01-C

		5MM	CARRONITE
L 1700MM	<b>MATRIX</b>	✓	✓
W 700MM	L-SHAPED PANEL 1700x700x515	-	✓
	FRONT PANEL 1700x515	✓	✓
	END PANEL 700x515	✓	✓
	SCREEN CFS-1 (H=1400MM)	✓	✓
	SCREEN CFS-2 (H=1500MM)	✓	✓
	GRIPS CCG-2	✓	✓



Carronite



Panel



Hand Grips



Water Saver

**WATER CAPACITY**

145 LTR

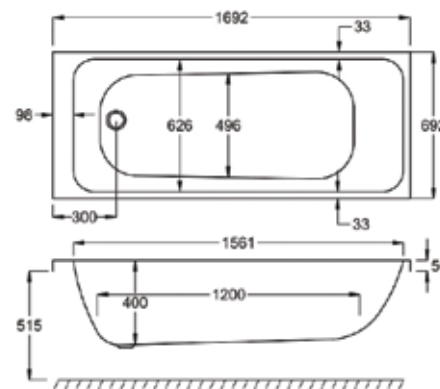
This measurement is taken to the overflow

**KIT REFERENCES**

STANDARD - AK-02

CARRONITE - AK-02-C

		5MM	CARRONITE
L 1700MM	<b>PROFILE</b>	✓	✓
W 700MM	L-PANEL 1700x700x515	-	✓
	FRONT PANEL 1700x515	✓	✓
	END PANEL 700x515	✓	✓
	SCREEN CFS-1 (H=1400MM)	✓	✓
	SCREEN CFS-2 (H=1500MM)	✓	✓



Carronite



Panel

**WATER CAPACITY**

218 LTR

This measurement is taken to the overflow

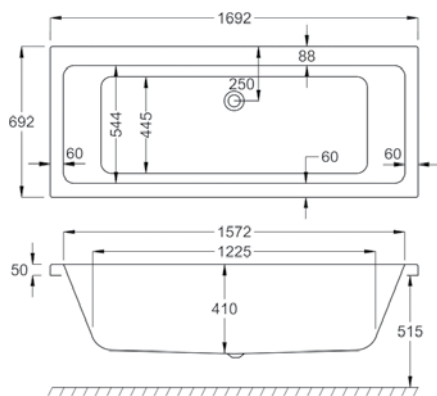
**KIT REFERENCES**

STANDARD - AK-01

CARRONITE - AK-01-C

# QUANTUM DUO

		5MM	CARRONITE
L 1700MM	<b>QUANTUM DUO</b>	✓	✓
W 700MM	L-SHAPED PANEL 1700x700x515	-	✓
	FRONT PANEL 1700x515	✓	✓
	END PANEL 700x515	✓	✓
	SCREEN CFS-1 (H=1400MM)	✓	✓
	SCREEN CFS-2 (H=1500MM)	✓	✓



Carronite



Panel

## WATER CAPACITY

165 LTR

This measurement is taken to the overflow

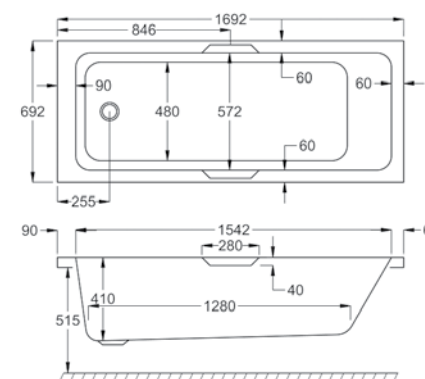
## KIT REFERENCES

STANDARD - AK-01

CARRONITE - AK-01-C

# QUANTUM INTEGRA

		5MM	CARRONITE
L 1700MM	<b>QUANTUM INTEGRA</b>	✓	✓
W 700MM	L-SHAPED PANEL 1700x700x515	-	✓
	FRONT PANEL 1700x515	✓	✓
	END PANEL 700x515	✓	✓
	SCREEN CFS-1 (H=1400MM)	✓	✓
	SCREEN CFS-2 (H=1500MM)	✓	✓



Carronite



Panel



Hand Grips

## WATER CAPACITY

228 LTR

This measurement is taken to the overflow

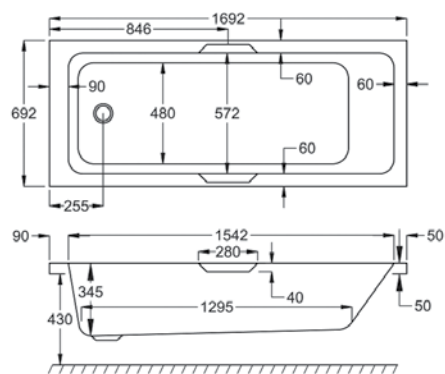
## KIT REFERENCES

STANDARD - AK-01

CARRONITE - AK-01-C

# QUANTUM INTEGRA ECO 430

		5MM	CARRONITE
L 1700MM	QUANTUM INTEGRA	✓	✓
W 700MM	FRONT PANEL 1700x430	✓	✓
	END PANEL 700x430	✓	✓
	SCREEN CFS-1 (H=1400MM)	✓	✓
	SCREEN CFS-2 (H=1500MM)	✓	✓



## WATER CAPACITY

174 LTR

This measurement is taken to the overflow

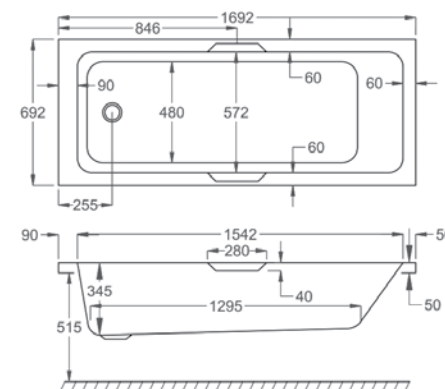
## KIT REFERENCES

STANDARD - AK-01

CARRONITE - AK-01-C

# QUANTUM INTEGRA ECO 515

		5MM	CARRONITE
L 1700MM	QUANTUM INTEGRA ECO 515	✓	✓
W 700MM	L-SHAPED PANEL 1700x700x515	-	✓
	FRONT PANEL 1700x515	✓	✓
	END PANEL 700x515	✓	✓
	SCREEN CFS-1 (H=1400MM)	✓	✓
	SCREEN CFS-2 (H=1500MM)	✓	✓



## WATER CAPACITY

174 LTR

This measurement is taken to the overflow

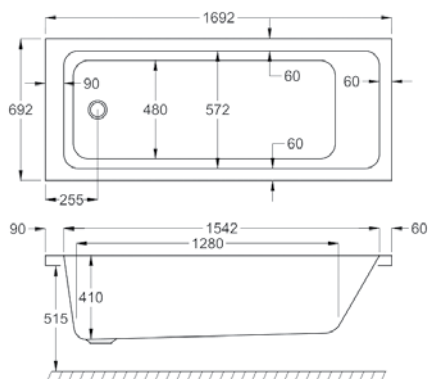
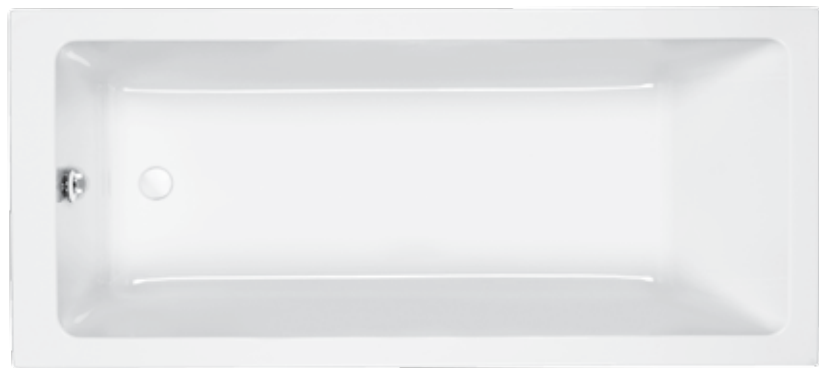
## KIT REFERENCES

STANDARD - AK-02

CARRONITE - AK-02-C

# QUANTUM SE

		5MM	CARRONITE
L 1700MM	QUANTUM SE	✓	✓
W 700MM	L-SHAPED PANEL 1700x700x515	-	✓
	FRONT PANEL 1700x515	✓	✓
	END PANEL 700x515	✓	✓
	SCREEN CFS-1 (H=1400MM)	✓	✓
	SCREEN CFS-2 (H=1500MM)	✓	✓



Carronite



Panel

## WATER CAPACITY

228 LTR

This measurement is taken to the overflow

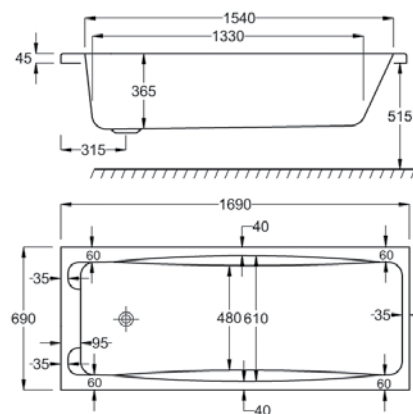
## KIT REFERENCES

STANDARD - AK-01

CARRONITE - AK-01-C

# SWALLOW TG

		5MM	8MM	CARRONITE
L 1700MM	SWALLOW TG	✓	✓	✓
W 700MM	L-SHAPED PANEL 1700x700x515	-	-	✓
	FRONT PANEL 1700x515	✓	-	✓
	END PANEL 700x515	✓	-	✓
	SCREEN CFS-1 (H=1400MM)	✓	✓	✓
	SCREEN CFS-2 (H=1500MM)	✓	✓	✓



Carronite



Panel



Hand Grips

## WATER CAPACITY

155 LTR

This measurement is taken to the overflow

## KIT REFERENCES

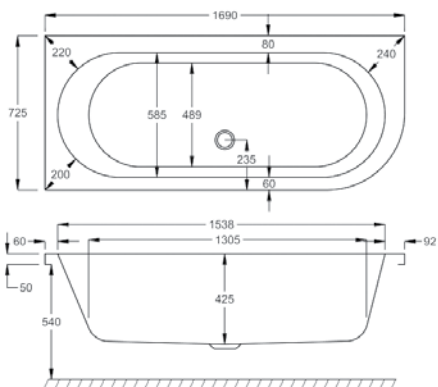
STANDARD - AK-02

CARRONITE - AK-02-C



# STATUS

	5MM	CARRONITE
L 1700MM	✓	✓
W 725MM	✓	✓
STATUS	✓	✓
FRONT PANEL 725	✓	✓
SCREEN CFS-1 (H=1400MM)	✓	✓
SCREEN CFS-2 (H=1500MM)	✓	✓



Left hand and right hand baths available.  
Right hand bath shown.



Carronite



Panel

### WATER CAPACITY

205 LTR

This measurement is taken to the overflow

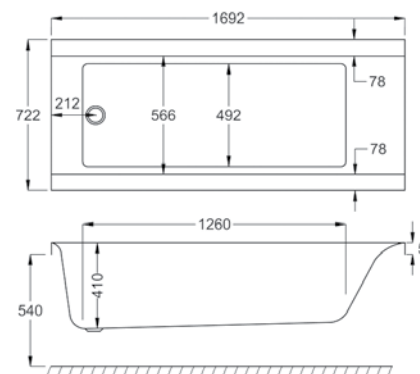
### KIT REFERENCES

STANDARD - AK-01

CARRONITE - AK-01-C

# URBAN

	5MM	CARRONITE
L 1700MM	✓	✓
W 725MM	✓	✓
URBAN	✓	✓
L-SHAPED PANEL 1700x725x540	-	✓
FRONT PANEL 1700x540	✓	✓
END PANEL 725x540	✓	✓
SCREEN CFS-1 (H=1400MM)	✓	✓
SCREEN CFS-2 (H=1500MM)	✓	✓



The Urban Bath accommodates tapholes on side ledge only.



Carronite



Panel

### WATER CAPACITY

224 LTR

This measurement is taken to the overflow

### KIT REFERENCES

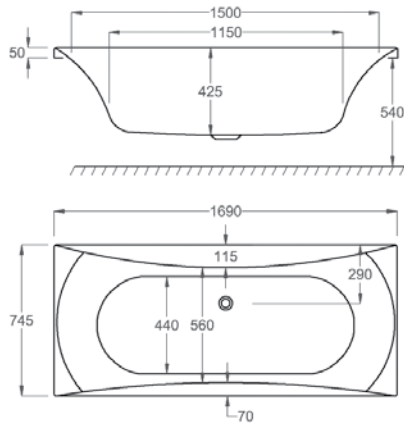
STANDARD - AK-01

CARRONITE - AK-01-C

# ALPHA

L 1700MM  
W 750MM

	5MM	CARRONITE
ALPHA	✓	✓
L-SHAPED PANEL 1700x750x540	-	✓
FRONT PANEL 1700x540	✓	✓
END PANEL 750x540	✓	✓



Carronite



Panel

### WATER CAPACITY

175 LTR

This measurement is taken to the overflow

### KIT REFERENCES

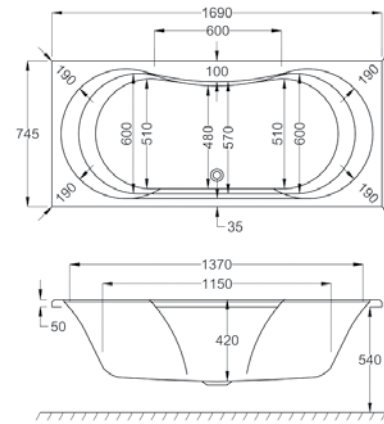
STANDARD - AK-01

CARRONITE - AK-01-C

# ARC DUO

L 1700MM  
W 750MM

	5MM	CARRONITE
ARC DUO	✓	✓
L-SHAPED PANEL 1700x750x540	-	✓
FRONT PANEL 1700x540	✓	✓
END PANEL 750x540	✓	✓



Carronite



Panel

### WATER CAPACITY

190 LTR

This measurement is taken to the overflow

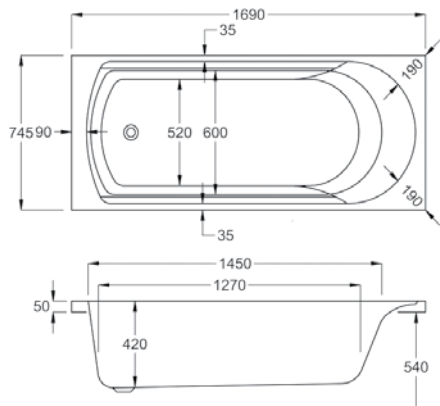
### KIT REFERENCES

STANDARD - AK-01

CARRONITE - AK-01-C

## ARC SE

		5MM	CARRONITE
L 1700MM	ARC SE	✓	✓
W 750MM	L-SHAPED PANEL 1700x750x540	-	✓
	FRONT PANEL 1700x540	✓	✓
	END PANEL 750x540	✓	✓
	SCREEN CFS-1 (H=1400MM)	✓	✓
	SCREEN CFS-2 (H=1500MM)	✓	✓
	GRIPS CCG-2	✓	✓



Carronite



Panel



Hand Grips

**WATER CAPACITY**

195 LTR

This measurement is taken to the overflow

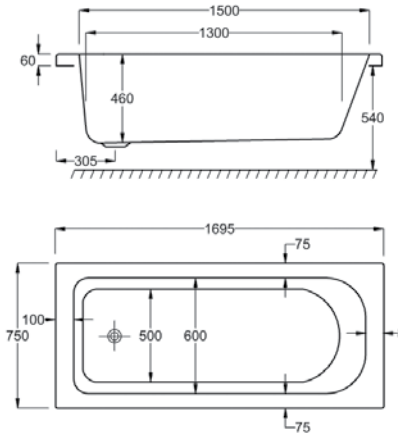
**KIT REFERENCES**

STANDARD - AK-01

CARRONITE - AK-01-C

## BRITANNIA CLASSIC

		5MM	CARRONITE
L 1700MM	BRITANNIA CLASSIC	✓	✓
W 750MM	L-SHAPED PANEL 1700x750x540	-	✓
	FRONT PANEL 1700x540	✓	✓
	END PANEL 750x540	✓	✓



Carronite



Panel

**WATER CAPACITY**

210 LTR

This measurement is taken to the overflow

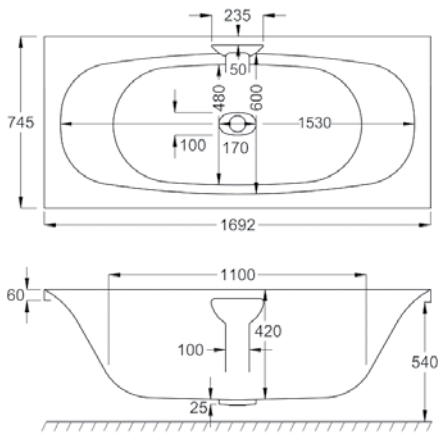
**KIT REFERENCES**

STANDARD - AK-01

CARRONITE - AK-01-C

# ECHELON (INCLUDES FILLER)

		5MM	CARRONITE
L 1700MM	<b>ECHELON (INCLUDES FILLER)</b>	✓	✓
W 750MM	L-SHAPED PANEL 1700x750x540	-	✓
	FRONT PANEL 1700x540	✓	✓
	END PANEL 750x540	✓	✓



Carronite



Panel

### WATER CAPACITY

209 LTR

This measurement is taken to the overflow

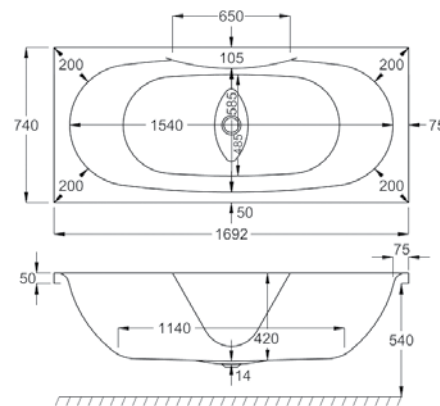
### KIT REFERENCES

STANDARD - AK-01

CARRONITE - AK-01-C

# EQUATION

		5MM	CARRONITE
L 1700MM	<b>EQUATION</b>	✓	✓
W 750MM	L-SHAPED PANEL 1700x750x540	-	✓
	FRONT PANEL 1700x540	✓	✓
	END PANEL 750x540	✓	✓



Carronite



Panel

### WATER CAPACITY

205 LTR

This measurement is taken to the overflow

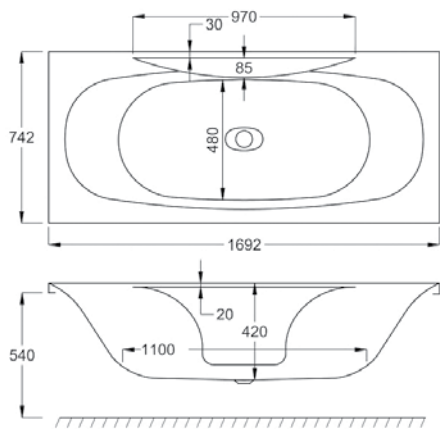
### KIT REFERENCES

STANDARD - AK-01

CARRONITE - AK-01-C

# EQUITY

		5MM	CARRONITE
L 1700MM	<b>EQUITY</b>	✓	✓
W 750MM	L-SHAPED PANEL 1700x750x540	-	✓
	FRONT PANEL 1700x540	✓	✓
	END PANEL 750x540	✓	✓



Carronite



Panel

### WATER CAPACITY

204 LTR

This measurement is taken to the overflow

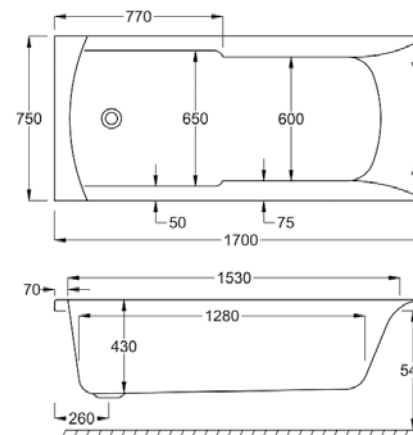
### KIT REFERENCES

STANDARD - AK-01

CARRONITE - AK-01-C

# INDEX

		5MM	CARRONITE
L 1700MM	<b>INDEX</b>	✓	✓
W 750MM	L-SHAPED PANEL 1700x750x540	-	✓
	FRONT PANEL 1700x540	✓	✓
	END PANEL 750x540	✓	✓
	SCREEN CFS-1 (H=1400MM)	✓	✓
	SCREEN CFS-2 (H=1500MM)	✓	✓
	GRIPS CCG-2	✓	✓



Carronite



Panel



Hand Grips

### WATER CAPACITY

195 LTR

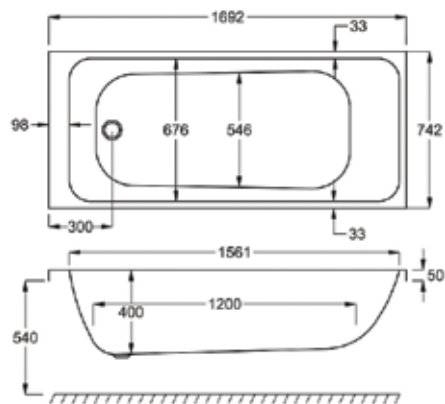
This measurement is taken to the overflow

### KIT REFERENCES

STANDARD - AK-01

CARRONITE - AK-01-C

	5MM	CARRONITE
L 1700MM		
W 750MM		
<b>PROFILE</b>	✓	✓
L-SHAPED PANEL 1700x750x540	-	✓
FRONT PANEL 1700x540	✓	✓
END PANEL 750x540	✓	✓
SCREEN CFS-1 (H=1400MM)	✓	✓
SCREEN CFS-2 (H=1500MM)	✓	✓



Carronite



Panel

**WATER CAPACITY**

257 LTR

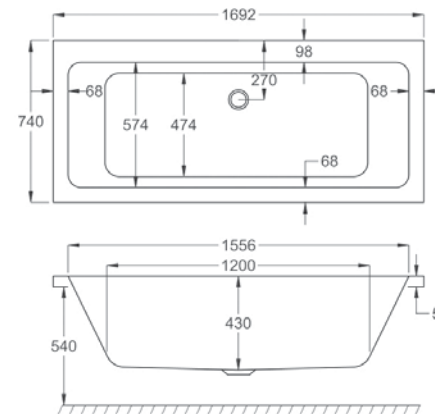
This measurement is taken to the overflow

**KIT REFERENCES**

STANDARD - AK-01

CARRONITE - AK-01-C

	5MM	CARRONITE
L 1700MM		
W 750MM		
<b>QUANTUM DUO</b>	✓	✓
L-SHAPED PANEL 1700x750x540	-	✓
FRONT PANEL 1700x540	✓	✓
END PANEL 750x540	✓	✓
SCREEN CFS-1 (H=1400MM)	✓	✓
SCREEN CFS-2 (H=1500MM)	✓	✓
GRIPS CCG-2	✓	✓



Carronite



Panel

**WATER CAPACITY**

190 LTR

This measurement is taken to the overflow

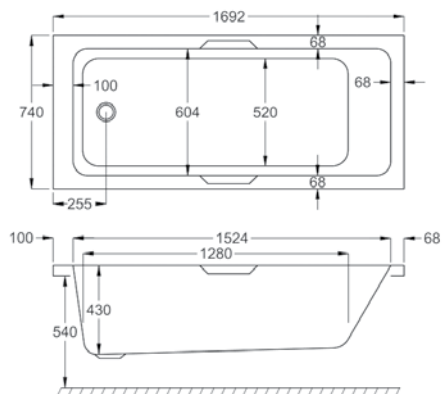
**KIT REFERENCES**

STANDARD - AK-01

CARRONITE - AK-01-C

# QUANTUM INTEGRA

		5MM	CARRONITE
L 1700MM	<b>QUANTUM INTEGRA</b>	✓	✓
W 750MM	L-SHAPED PANEL 1700x750x540	-	✓
	FRONT PANEL 1700x540	✓	✓
	END PANEL 750x540	✓	✓
	SCREEN CFS-1 (H=1400MM)	✓	✓
	SCREEN CFS-2 (H=1500MM)	✓	✓



Carronite



Panel



Hand Grips

## WATER CAPACITY

240 LTR

This measurement is taken to the overflow

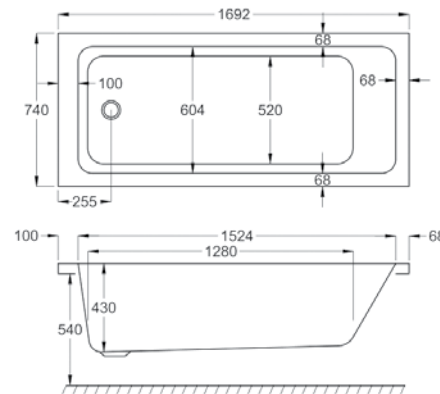
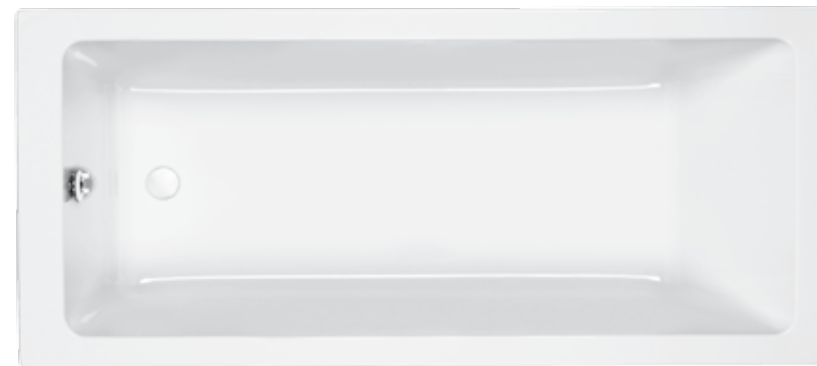
## KIT REFERENCES

STANDARD - AK-01

CARRONITE - AK-01-C

# QUANTUM SE

		5MM	CARRONITE
L 1700MM	<b>QUANTUM SE</b>	✓	✓
W 750MM	L-SHAPED PANEL 1700x750x540	-	✓
	FRONT PANEL 1700x540	✓	✓
	END PANEL 750x540	✓	✓
	SCREEN CFS-1 (H=1400MM)	✓	✓
	SCREEN CFS-2 (H=1500MM)	✓	✓



Carronite



Panel

## WATER CAPACITY

240 LTR

This measurement is taken to the overflow

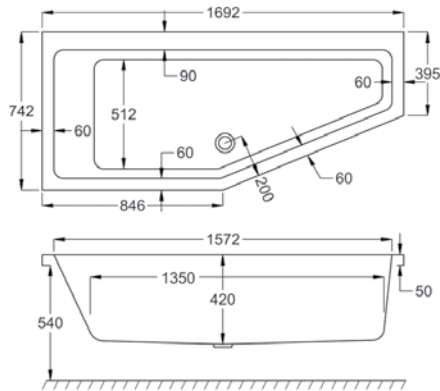
## KIT REFERENCES

STANDARD - AK-01

CARRONITE - AK-01-C

# QUANTUM SPACESAVER

		5MM	CARRONITE
L 1700MM	QUANTUM SPACESAVER	✓	✓
W 750 - 400MM	FRONT PANEL SPACE SAVER	✓	✓
	END PANEL SPACE SAVER	✓	✓
	SCREEN QSS-2	✓	✓
	SCREEN CFS-1	✓	✓



Left hand and right hand baths available.  
Right hand bath shown.

QSS Hinged Screen recommended.



Carronite



Panel

## WATER CAPACITY

211 LTR

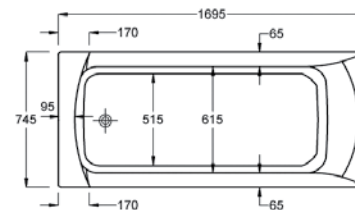
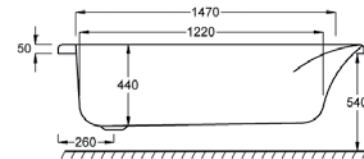
This measurement is taken to the overflow

## KIT REFERENCES

STANDARD - AK-10-C  
CARRONITE - AK-10-C

# SIGMA

		5MM	CARRONITE
L 1700MM	SIGMA	✓	✓
W 750MM	L-SHAPED PANEL 1700x750x540	-	✓
	FRONT PANEL 1700x540	✓	✓
	END PANEL 750x540	✓	✓
	SCREEN CFS-1 (H=1400MM)	✓	✓
	SCREEN CFS-2 (H=1500MM)	✓	✓
	GRIPS CCG-1	✓	✓



Carronite



Panel



Hand Grips

## WATER CAPACITY

195 LTR

This measurement is taken to the overflow

## KIT REFERENCES

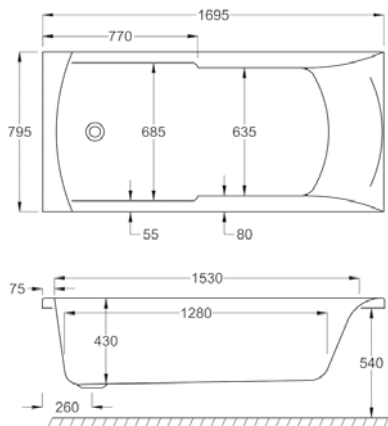
STANDARD - AK-01  
CARRONITE - AK-01-C



# APEX

L 1700MM  
W 800MM

	5MM	CARRONITE
APEX	✓	✓
L-SHAPED PANEL 1700x800x540	-	✓
FRONT PANEL 1700x540	✓	✓
END PANEL 800x540	✓	✓
SCREEN CFS-1 (H=1400MM)	✓	✓
SCREEN CFS-2 (H=1500MM)	✓	✓
GRIPS CCG-2	✓	✓



- Carronite
- Panel
- Hand Grips

**WATER CAPACITY**  
210 LTR

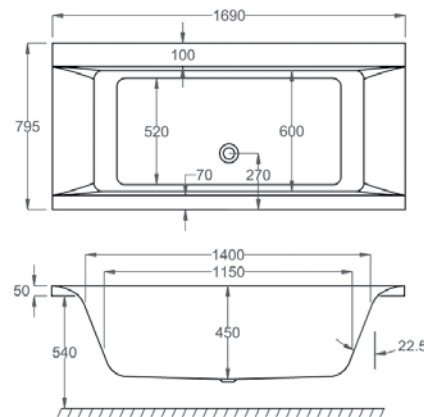
This measurement is taken to the overflow

**KIT REFERENCES**  
STANDARD - AK-03  
CARRONITE - AK-03-C

# HAIKU

L 1700MM  
W 800MM

	5MM	CARRONITE
HAIKU	✓	✓
L-SHAPED PANEL 1700x800x540	-	✓
FRONT PANEL 1700x540	✓	✓
END PANEL 800x540	✓	✓



- Carronite
- Panel

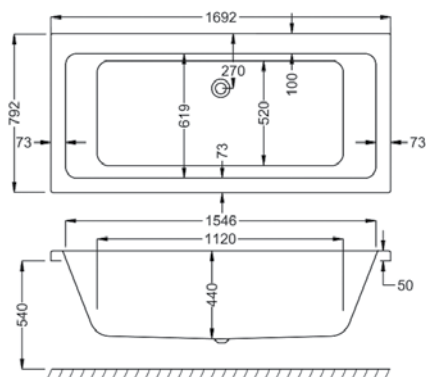
**WATER CAPACITY**  
220 LTR

This measurement is taken to the overflow

**KIT REFERENCES**  
STANDARD - AK-03  
CARRONITE - AK-03-C

# QUANTUM DUO

		5MM	CARRONITE
L 1700MM	<b>QUANTUM DUO</b>	✓	✓
W 800MM	L-SHAPED PANEL 1700x800x540	-	✓
	FRONT PANEL 1700x540	✓	✓
	END PANEL 800x540	✓	✓
	SCREEN CFS-1 (H=1400MM)	✓	✓
	SCREEN CFS-2 (H=1500MM)	✓	✓



Carronite



Panel

## WATER CAPACITY

200 LTR

This measurement is taken to the overflow

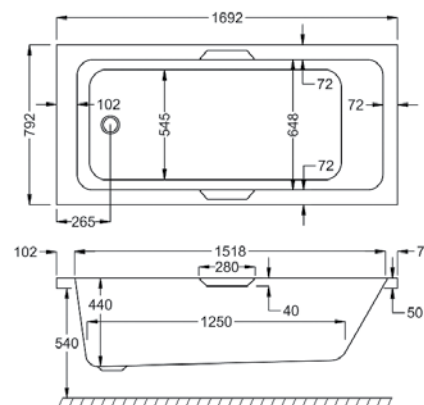
## KIT REFERENCES

STANDARD - AK-03

CARRONITE - AK-03-C

# QUANTUM INTEGRA

		5MM	CARRONITE
L 1700MM	<b>QUANTUM INTEGRA</b>	✓	✓
W 800MM	L-SHAPED PANEL 1700x800x540	-	✓
	FRONT PANEL 1700x540	✓	✓
	END PANEL 800x540	✓	✓
	SCREEN CFS-1 (H=1400MM)	✓	✓
	SCREEN CFS-2 (H=1500MM)	✓	✓



Carronite



Panel



Hand Grips

## WATER CAPACITY

267 LTR

This measurement is taken to the overflow

## KIT REFERENCES

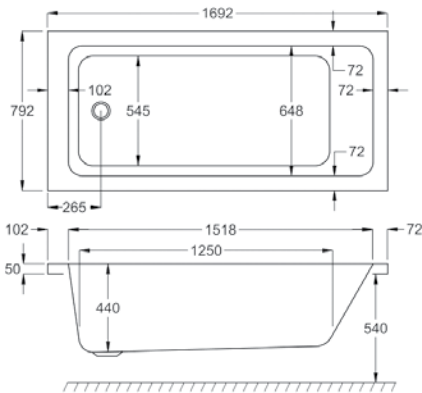
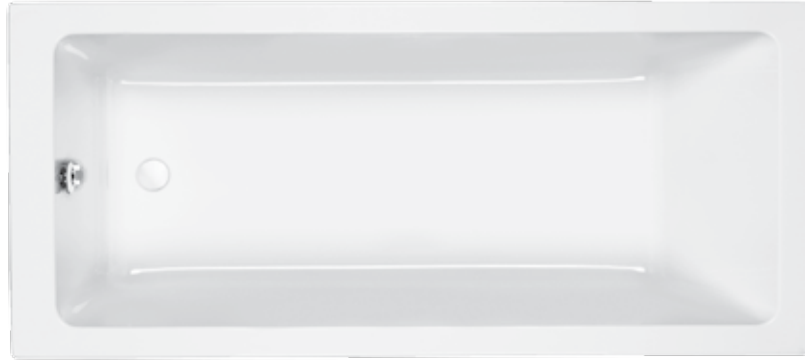
STANDARD - AK-03

CARRONITE - AK-03-C

# QUANTUM SE

L 1700MM  
W 800MM

	5MM	CARRONITE
<b>QUANTUM SE</b>	✓	✓
L-SHAPED PANEL 1700x800x540	-	✓
FRONT PANEL 1700x540	✓	✓
END PANEL 800x540	✓	✓
SCREEN CFS-1 (H=1400MM)	✓	✓
SCREEN CFS-2 (H=1500MM)	✓	✓



Carronite



Panel

## WATER CAPACITY

267 LTR

This measurement is taken to the overflow

## KIT REFERENCES

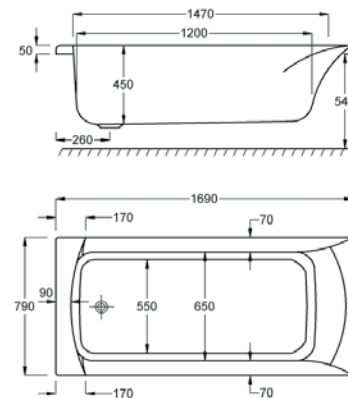
STANDARD - AK-03

CARRONITE - AK-03-C

# SIGMA

L 1700MM  
W 800MM

	5MM	CARRONITE
<b>SIGMA</b>	✓	✓
L-SHAPED PANEL 1700x800x540	-	✓
FRONT PANEL 1700x540	✓	✓
END PANEL 800x540	✓	✓
SCREEN CFS-1 (H=1400MM)	✓	✓
SCREEN CFS-2 (H=1500MM)	✓	✓
GRIPS CCG-1	✓	✓



Carronite



Panel



Hand Grips

## WATER CAPACITY

220 LTR

This measurement is taken to the overflow

## KIT REFERENCES

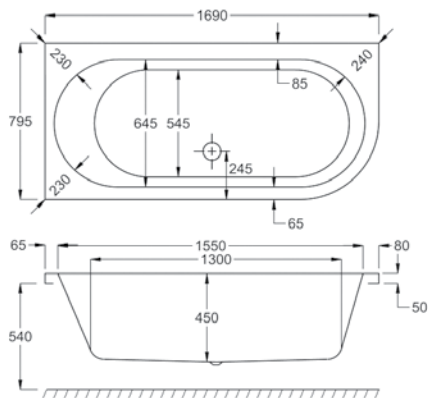
STANDARD - AK-03

CARRONITE - AK-03-C

# STATUS

L 1700MM  
W 800MM

	5MM	CARRONITE
STATUS	✓	✓
STATUS FRONT PANEL 17.80	✓	✓
SCREEN CFS-1 (H=1400MM)	✓	✓
SCREEN CFS-2 (H=1500MM)	✓	✓



Left hand and right hand baths available.  
Right hand bath shown.



Carronite Panel

**WATER CAPACITY**  
250 LTR

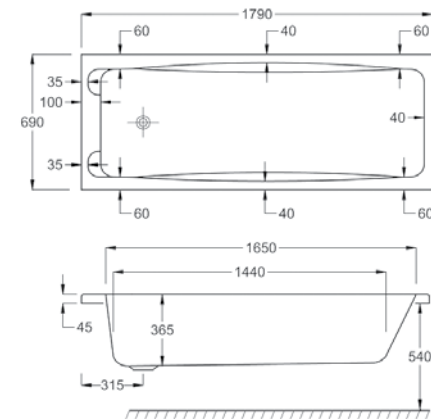
This measurement is taken to the overflow

**KIT REFERENCES**  
STANDARD - AK-03  
CARRONITE - AK-03-C

# SWALLOW TG

L 1800MM  
W 700MM

	5MM	CARRONITE
SWALLOW TG	✓	✓
FRONT PANEL 1800x540	✓	✓
END PANEL 700x540	✓	✓
SCREEN CFS-1 (H=1400MM)	✓	✓
SCREEN CFS-2 (H=1500MM)	✓	✓



Carronite Panel Hand Grips

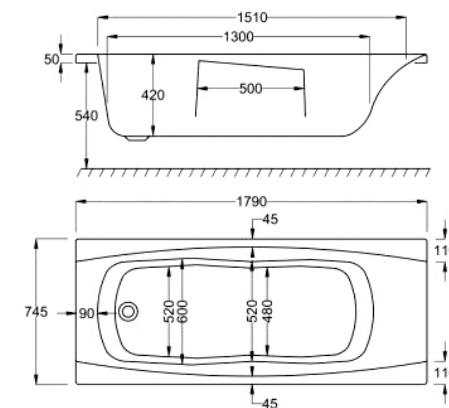
**WATER CAPACITY**  
185 LTR

This measurement is taken to the overflow

**KIT REFERENCES**  
STANDARD - AK-02  
CARRONITE - AK-02-C

## IMPERIAL TG

		5MM	CARRONITE
L 1800MM	IMPERIAL TG	✓	✓
W 750MM	FRONT PANEL 1800x540	✓	✓
	END PANEL 750x540	✓	✓
	SCREEN CFS-1 (H=1400MM)	✓	✓
	SCREEN CFS-2 (H=1500MM)	✓	✓



### WATER CAPACITY

210 LTR

This measurement is taken to the overflow

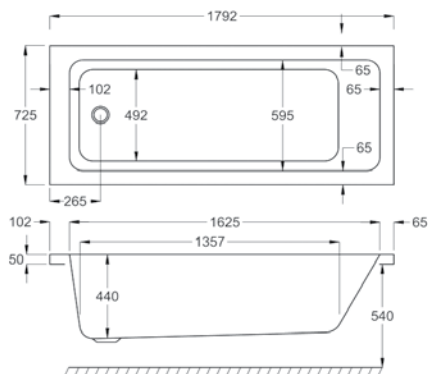
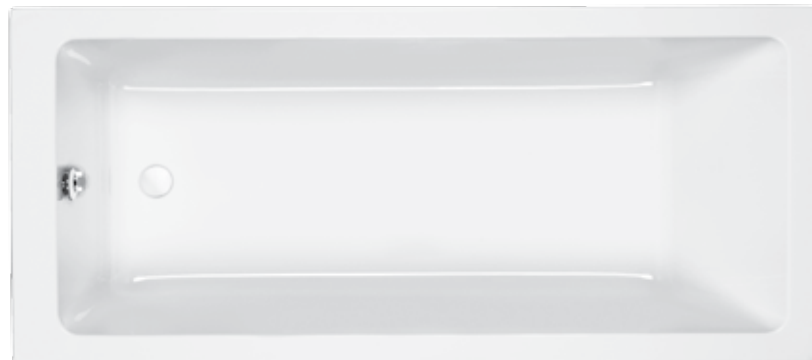
### KIT REFERENCES

STANDARD - AK-01

CARRONITE - AK-01-C

## QUANTUM SE

		5MM	CARRONITE
L 1800MM	QUANTUM SE	✓	✓
W 725MM	FRONT PANEL 1800x540	✓	✓
	END PANEL 725x540	✓	✓
	SCREEN CFS-1 (H=1400MM)	✓	✓
	SCREEN CFS-2 (H=1500MM)	✓	✓



### WATER CAPACITY

266 LTR

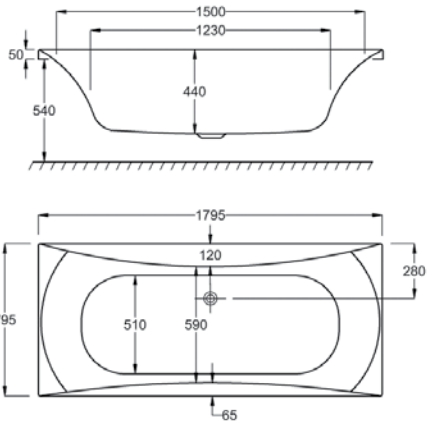
This measurement is taken to the overflow

### KIT REFERENCES

STANDARD - AK-01

CARRONITE - AK-01-C

		5MM	CARRONITE
L 1800MM	ALPHA	✓	✓
W 800MM	L-SHAPED PANEL 1800x800x540	-	✓
	FRONT PANEL 1800x540	✓	✓
	END PANEL 800x540	✓	✓



Carronite



Panel

**WATER CAPACITY**

220 LTR

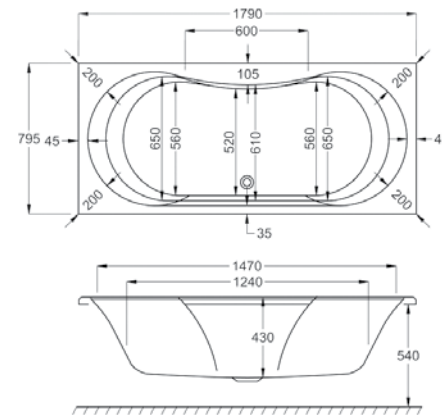
This measurement is taken to the overflow

**KIT REFERENCES**

STANDARD - AK-03

CARRONITE - AK-03-C

		5MM	CARRONITE
L 1800MM	ARC DUO	✓	✓
W 800MM	L-SHAPED PANEL 1800x800x540	-	✓
	FRONT PANEL 1800x540	✓	✓
	END PANEL 800x540	✓	✓



Carronite



Panel

**WATER CAPACITY**

210 LTR

This measurement is taken to the overflow

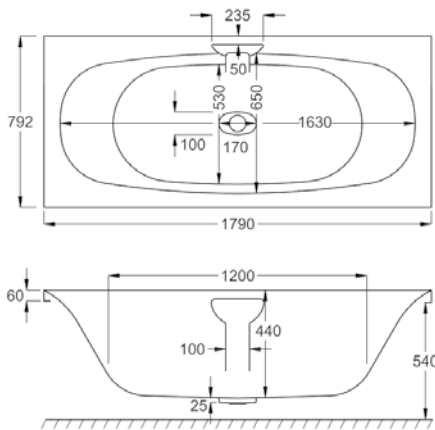
**KIT REFERENCES**

STANDARD - AK-03

CARRONITE - AK-03-C

# ECHELON (INCLUDES FILLER)

		5MM	CARRONITE
L 1800MM	<b>ECHELON (INC FILLER)</b>	✓	✓
W 800MM	L-SHAPED PANEL 1800x800x540	-	✓
	FRONT PANEL 1800x540	✓	✓
	END PANEL 800x540	✓	✓



Carronite



Panel

## WATER CAPACITY

230 LTR

This measurement is taken to the overflow

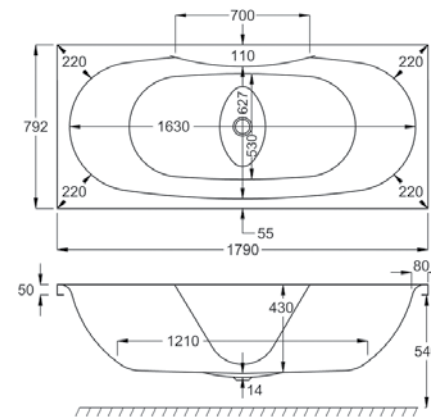
## KIT REFERENCES

STANDARD - AK-03

CARRONITE - AK-03-C

# EQUATION

		5MM	CARRONITE
L 1800MM	<b>EQUATION</b>	✓	✓
W 800MM	L-SHAPED PANEL 1800x800x540	-	✓
	FRONT PANEL 1800x540	✓	✓
	END PANEL 800x540	✓	✓



Carronite



Panel

## WATER CAPACITY

233 LTR

This measurement is taken to the overflow

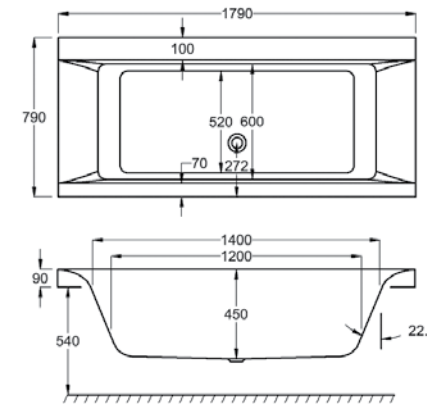
## KIT REFERENCES

STANDARD - AK-03

CARRONITE - AK-03-C

# HAIKU

		5MM	CARRONITE
L 1800MM	HAIKU	✓	✓
W 800MM	L-SHAPED PANEL 1800x800x540	-	✓
	FRONT PANEL 1800x540	✓	✓
	END PANEL 800x540	✓	✓

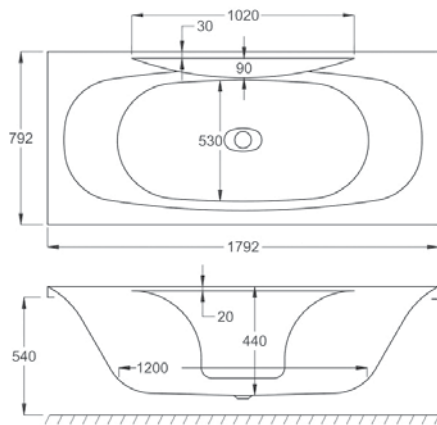


**WATER CAPACITY**  
230 LTR  
This measurement is taken to the overflow

**KIT REFERENCES**  
STANDARD - AK-03  
CARRONITE - AK-03-C

# EQUITY

		5MM	CARRONITE
L 1800MM	EQUITY	✓	✓
W 800MM	L-SHAPED PANEL 1800x800x540	-	✓
	FRONT PANEL 1800x540	✓	✓
	END PANEL 800x540	✓	✓



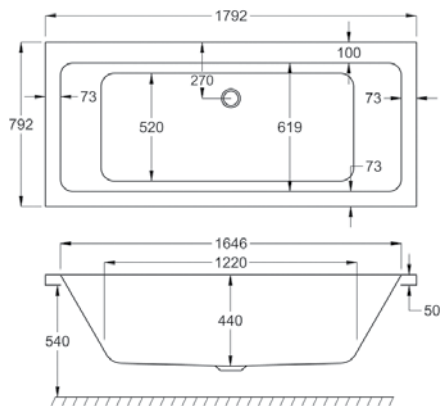
**WATER CAPACITY**  
225 LTR  
This measurement is taken to the overflow

**KIT REFERENCES**  
STANDARD - AK-03  
CARRONITE - AK-03-C



# QUANTUM DUO

		5MM	CARRONITE
L 1800MM	<b>QUANTUM DUO</b>	✓	✓
W 800MM	L-SHAPED PANEL 1800x800x540	-	✓
	FRONT PANEL 1800x540	✓	✓
	END PANEL 800x540	✓	✓
	SCREEN CFS-1 (H=1400MM)	✓	✓
	SCREEN CFS-2 (H=1500MM)	✓	✓



Carronite



Panel

## WATER CAPACITY

230 LTR

This measurement is taken to the overflow

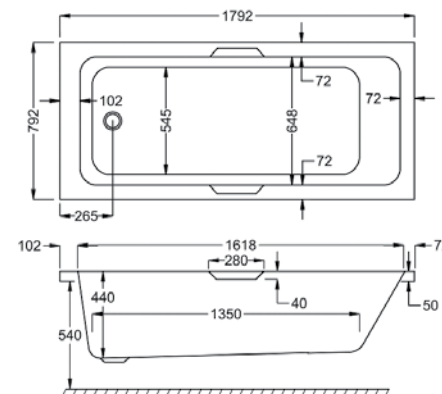
## KIT REFERENCES

STANDARD - AK-03

CARRONITE - AK-03-C

# QUANTUM INTEGRA

		5MM	CARRONITE
L 1800MM	<b>QUANTUM INTEGRA</b>	✓	✓
W 800MM	L-SHAPED PANEL 1800x800x540	-	✓
	FRONT PANEL 1800x540	✓	✓
	END PANEL 800x540	✓	✓
	SCREEN CFS-1 (H=1400MM)	✓	✓
	SCREEN CFS-2 (H=1500MM)	✓	✓



Carronite



Panel



Hand Grips

## WATER CAPACITY

285 LTR

This measurement is taken to the overflow

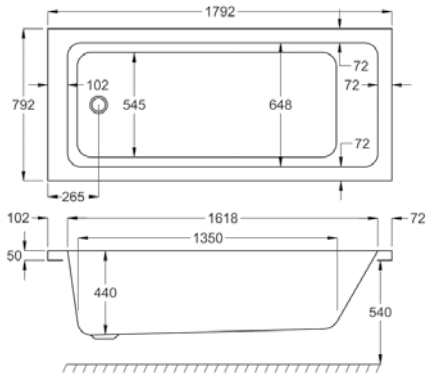
## KIT REFERENCES

STANDARD - AK-03

CARRONITE - AK-03-C

# QUANTUM SE

		5MM	CARRONITE
L 1800MM	<b>QUANTUM SE</b>	✓	✓
W 800MM	L-SHAPED PANEL 1800x800x540	-	✓
	FRONT PANEL 1800x540	✓	✓
	END PANEL 800x540	✓	✓
	SCREEN CFS-1 (H=1400MM)	✓	✓
	SCREEN CFS-2 (H=1500MM)	✓	✓



Carronite



Panel

## WATER CAPACITY

285 LTR

This measurement is taken to the overflow

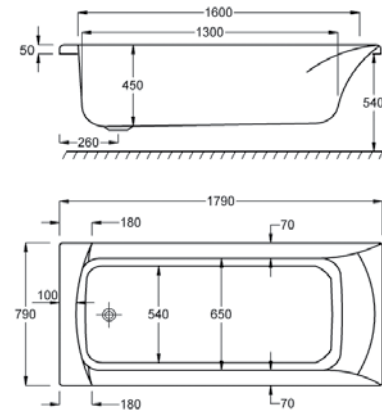
## KIT REFERENCES

STANDARD - AK-03

CARRONITE - AK-03-C

# SIGMA

		5MM	CARRONITE
L 1800MM	<b>SIGMA</b>	✓	✓
W 800MM	L-SHAPED PANEL 1800x800x540	-	✓
	FRONT PANEL 1800x540	✓	✓
	END PANEL 800x540	✓	✓
	SCREEN CFS-1 (H=1400MM)	✓	✓
	SCREEN CFS-2 (H=1500MM)	✓	✓
	GRIPS CCG-1	✓	✓



Carronite



Panel



Hand Grips

## WATER CAPACITY

240 LTR

This measurement is taken to the overflow

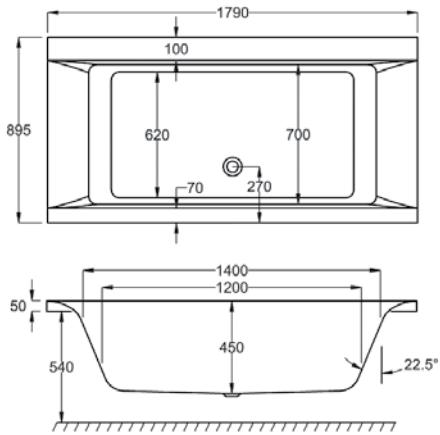
## KIT REFERENCES

STANDARD - AK-03

CARRONITE - AK-03-C

# HAIKU

		5MM	CARRONITE
L 1800MM	HAIKU	✓	✓
W 900MM	FRONT PANEL 1800x540	✓	✓
	END PANEL 900x540	✓	✓



Carronite



Panel

### WATER CAPACITY

290 LTR

This measurement is taken to the overflow

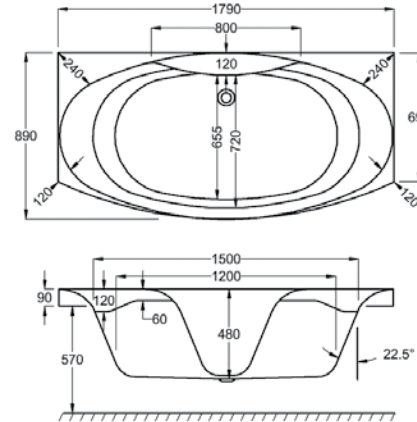
### KIT REFERENCES

STANDARD - AK-03

CARRONITE - AK-03-C

# MISTRAL

		5MM	CARRONITE
L 1800MM	MISTRAL	✓	✓
W 700 - 900MM	MISTRAL FRONT PANEL	✓	-
	MISTRAL END PANEL	✓	-



Carronite



Panel

### WATER CAPACITY

330 LTR

This measurement is taken to the overflow

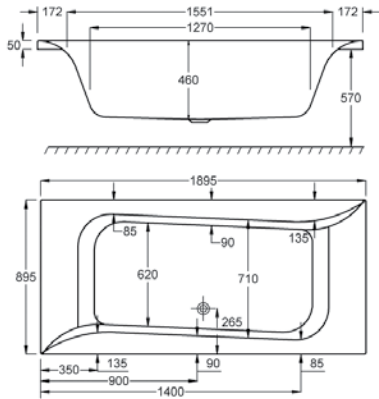
### KIT REFERENCES

STANDARD - AK-03

CARRONITE - AK-03-C

# LINEA

		5MM	CARRONITE
L 1900MM	LINEA	✓	✓
W 900MM	FRONT PANEL 1900x570	✓	✓
	END PANEL 900x570	✓	✓



Carronite



Panel

### WATER CAPACITY

345 LTR

This measurement is taken to the overflow

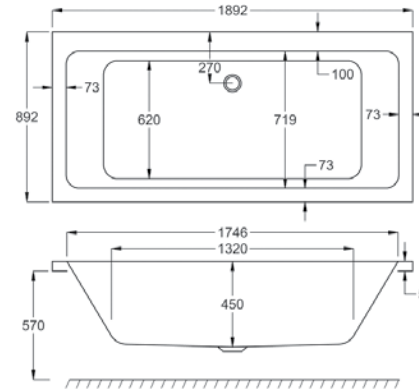
### KIT REFERENCES

STANDARD - AK-03

CARRONITE - AK-03-C

# QUANTUM DUO

		5MM	CARRONITE
L 1900MM	QUANTUM DUO	✓	✓
W 900MM	FRONT PANEL 1900x570	✓	✓
	END PANEL 900x570	✓	✓



Carronite



Panel

### WATER CAPACITY

350 LTR

This measurement is taken to the overflow

### KIT REFERENCES

STANDARD - AK-03

CARRONITE - AK-03-C

NEW PRODUCT

# LEAD THE 'SOFT SQUARE' TREND WITH THE NEW PROFILE BATH



## NEW PRODUCT LAUNCH FROM CARRON RECREATES THE LATEST INDUSTRY TREND.

With the 'Profile' we have refined the look that is taking the market by storm. The soft-square approach is the foundation for modern bathroom design and the 'Profile' adds an element of minimalism and refinement to the market.

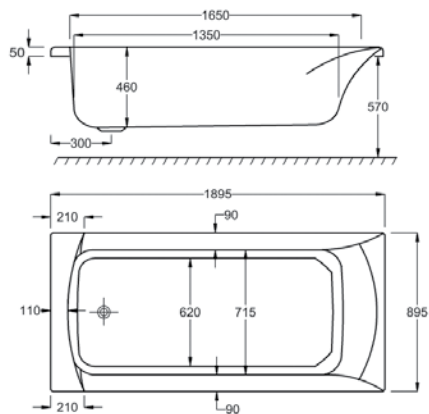
With an initial range launch of 4 sizes; 1500x700 (page 18), 1600 x700 (p25), 1700x700 (p41) & 1700x750mm (p58), Carron have once again ensured that we have the core bases covered.



# SIGMA

L 1900MM  
W 900MM

	5MM	CARRONITE
SIGMA	✓	✓
FRONT PANEL 1900x570	✓	✓
END PANEL 900x570	✓	✓
GRIPS CCG-1	✓	✓



Carronite



Panel



Hand Grips

### WATER CAPACITY

350 LTR

This measurement is taken to the overflow

### KIT REFERENCES

STANDARD - AK-03

CARRONITE - AK-03-C

## SHOWERBATHS

With more space for showering whilst retaining the option of a luxury bath, our range of showerbaths all come with matching shower screens and panels.

### CARRONITE™ IDEAL FOR SHOWERING

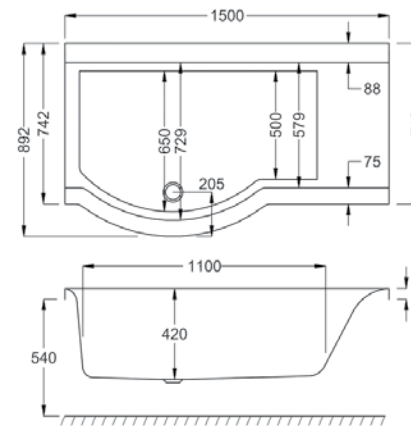
The strength and stability offered by our Carronite™ finish makes it an ideal option for the showerbath of your choice.

BATHS OPPOSITE:  
Top Urban Edge Showerbath, bottom right Status Showerbath.



# URBAN COMPACT

		5MM	CARRONITE
L	1500MM		
W	750-900MM		
	<b>URBAN COMPACT</b>	✓	✓
	L-SHAPED SHOWERBATH PANEL	-	✓
	URBAN SB 1500 FRONT PANEL	✓	✓
	SB END PANEL	✓	✓
	SCREEN CSS-4	✓	✓
	SCREEN WRAP ROUND	✓	✓
	SET 1 (BATH, SCREEN, FRONT PANEL)	✓	✓
	SET 2 (BATH, WRAP ROUND SCREEN, FRONT PANEL)	✓	✓



Left hand and right hand baths available.  
Left hand bath shown.



Carronite Panel

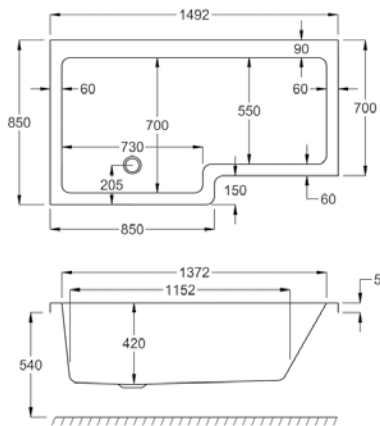
**WATER CAPACITY**  
228 LTR

This measurement is taken to the overflow

**KIT REFERENCES**  
STANDARD - AK-05  
CARRONITE - AK-05-C

# QUANTUM

		5MM	CARRONITE
L	1500MM		
W	700-850MM		
	<b>QUANTUM SHOWERBATH 1500</b>	✓	✓
	QUANTUM SB 1500 FRONT PANEL	✓	✓
	SB END PANEL	✓	✓
	SCREEN QSS-1 (FIXED L-PROFILE)	✓	✓
	SCREEN QSS-2	✓	✓
	SET (BATH, SCREEN, FRONT PANEL)	✓	✓



Left hand and right hand baths available.  
Left hand bath shown.



Carronite Panel

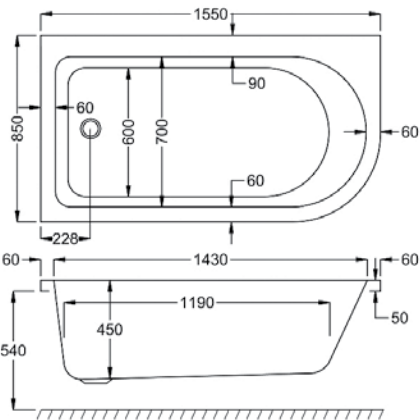
**WATER CAPACITY**  
229 LTR

This measurement is taken to the overflow

**KIT REFERENCES**  
STANDARD - AK-05  
CARRONITE - AK-05-C

# STATUS SHOWERBATH

	5MM	CARRONITE
L 1550MM	STATUS SHOWERBATH	✓
W 850MM	STATUS SHOWERBATH PANEL	✓
	SCREEN CFS-1	✓
	SCREEN CFS-2	✓
	SET (BATH, SCREEN, FRONT PANEL)	✓



Left hand and right hand baths available.  
Right hand bath shown.



Carronite



Panel

### WATER CAPACITY

262 LTR

This measurement is taken to the overflow

### KIT REFERENCES

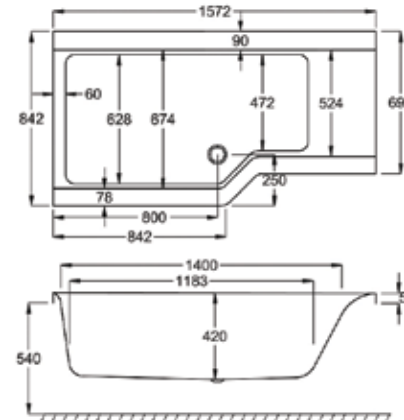
STANDARD - AK-03

CARRONITE - AK-03-C

# URBAN EDGE

NEW PRODUCT

	5MM	CARRONITE
L 1575MM	URBAN EDGE SHOWERBATH	✓
W 700-850MM	L-SHAPED SHOWERBATH PANEL	✓
	URBAN EDGE PANEL	✓
	SCREEN QSS-2	✓
	SET (BATH, SCREEN, FRONT PANEL)	✓



Left hand and right hand baths available.  
Left hand bath shown.



Carronite



Panel

### WATER CAPACITY

225 LTR

This measurement is taken to the overflow

### KIT REFERENCES

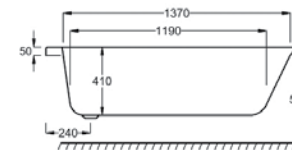
STANDARD - AK-05

CARRONITE - AK-05-C

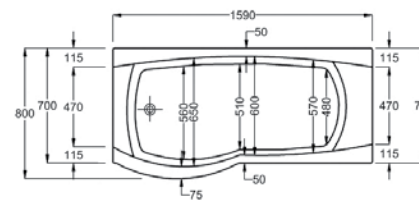


# DELTA

	5MM	CARRONITE
L 1600MM	DELTA SB 1600	✓
W 700-800MM	DELTA 1600 SB FRONT PANEL	✓
	SB END PANEL	✓
	SCREEN CSS-1	✓
	SET (BATH, SCREEN, FRONT PANEL)	✓



Left hand and right hand baths available.  
Left hand bath shown.



Carronite Panel

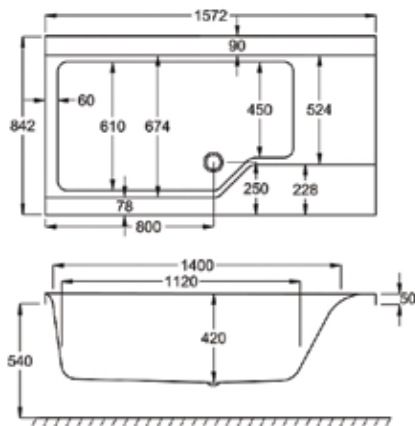
**WATER CAPACITY**  
210 LTR  
This measurement is taken to the overflow

**KIT REFERENCES**  
STANDARD - AK-04  
CARRONITE - AK-04-C

**NEW PRODUCT**

# URBAN SWING

	5MM	CARRONITE
L 1575MM	URBAN SWING	✓
W 850MM	URBAN SWING L-PANEL	✓
	URBAN SWING FRONT PANEL	✓
	SCREEN QSS-2	✓
	SET (BATH, SCREEN, FRONT PANEL)	✓



Left hand and right hand baths available.  
Left hand bath shown.



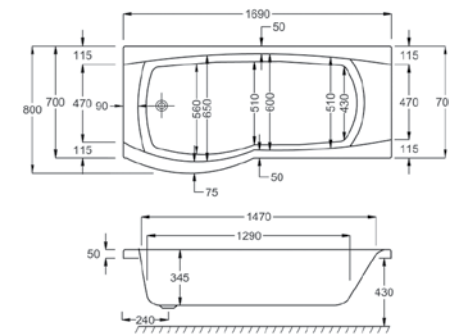
Carronite Panel

**WATER CAPACITY**  
225 LTR  
This measurement is taken to the overflow

**KIT REFERENCES**  
CARRONITE - AK-05-C / AK-12

# ASPECT

	5MM	CARRONITE
L 1700MM	ASPECT SHOWERBATH	✓
W 700-800MM	ASPECT FRONT PANEL	✓
	ASPECT END PANEL	✓
	SCREEN CSS-1	✓
	SET (BATH, SCREEN, FRONT PANEL)	✓



Left hand and right hand baths available.  
Left hand bath shown.

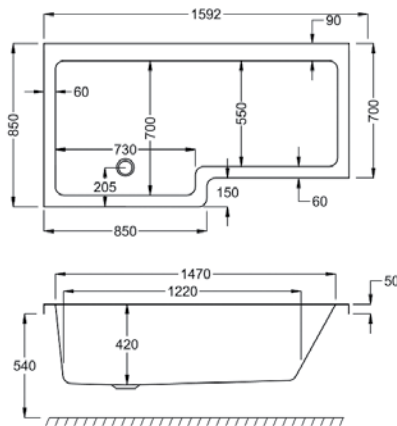
-  Carronite
-  Panel
-  Ease of Access
-  Water Saver

**WATER CAPACITY**  
190 LTR  
This measurement is taken to the overflow

**KIT REFERENCES**  
STANDARD - AK-04  
CARRONITE - AK-04-C

# QUANTUM

	5MM	CARRONITE
L 1600MM	QUANTUM SHOWERBATH 1600	✓
W 700-850MM	QUANTUM 1600 SB FRONT PANEL	✓
	SB END PANEL	✓
	SCREEN QSS-1 (FIXED L-PROFILE)	✓
	SCREEN QSS-2	✓
	SET (BATH, SCREEN, FRONT PANEL)	✓



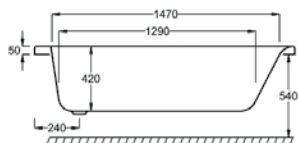
Left hand and right hand baths available.  
Left hand bath shown.

-  Carronite
-  Panel

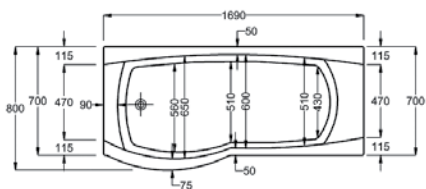
**WATER CAPACITY**  
250 LTR  
This measurement is taken to the overflow

**KIT REFERENCES**  
STANDARD - AK-05  
CARRONITE - AK-05-C

	5MM	CARRONITE
L 1700MM	✓	✓
W 700-800MM	✓	✓
DELTA SB 1700	✓	✓
DELTA 1700 SB FRONT PANEL	✓	✓
SB END PANEL	✓	✓
SCREEN CSS-1	✓	✓
SET (BATH, SCREEN, FRONT PANEL)	✓	✓



Left hand and right hand baths available.  
Left hand bath shown.



Carronite



Panel

#### WATER CAPACITY

230 LTR

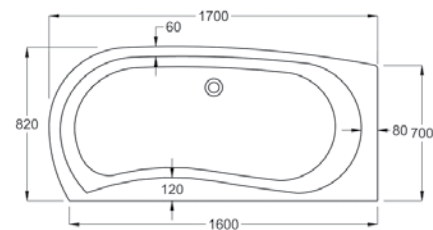
This measurement is taken to the overflow

#### KIT REFERENCES

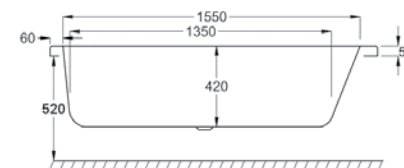
STANDARD - AK-04

CARRONITE - AK-04-C

	5MM	CARRONITE
L 1700MM	✓	✓
W 700-820MM	✓	-
AGENDA	✓	✓
AGENDA FRONT PANEL	✓	-
AGENDA END PANEL	✓	-
AGENDA SCREEN	✓	✓
SET (BATH, WRAP ROUND SCREEN, FRONT PANEL)	✓	✓



Left hand and right hand baths available.  
Right hand bath shown.



Carronite



Panel

#### WATER CAPACITY

260 LTR

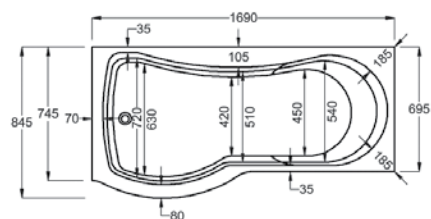
This measurement is taken to the overflow

#### KIT REFERENCES

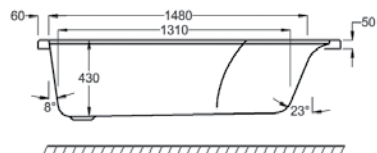
STANDARD - AK-01

CARRONITE - AK-01-C

	5MM	CARRONITE
L 1700MM		
W 700-850MM		
ARC SHOWERBATH	✓	✓
ARC 1700 SB FRONT PANEL	✓	✓
SB END PANEL	✓	✓
SCREEN CSS-2	✓	✓
SET (BATH, SCREEN, FRONT PANEL)	✓	✓



Left hand and right hand baths available.  
Left hand bath shown.



Carronite



Panel

#### WATER CAPACITY

250 LTR

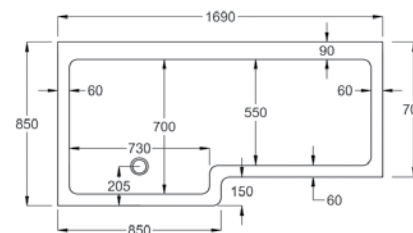
This measurement is taken to the overflow

#### KIT REFERENCES

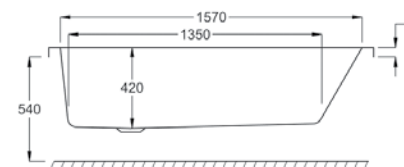
STANDARD - AK-05

CARRONITE - AK-05-C

	5MM	CARRONITE
L 1700MM		
W 700-850MM		
QUANTUM SHOWERBATH 1700	✓	✓
QUANTUM 1700 SB FRONT PANEL	✓	✓
SB END PANEL	✓	✓
SCREEN QSS-1 (FIXED L-PROFILE)	✓	✓
SCREEN QSS-2	✓	✓
SET (BATH, SCREEN, FRONT PANEL)	✓	✓



Left hand and right hand baths available.  
Left hand bath shown.



Carronite



Panel

#### WATER CAPACITY

265 LTR

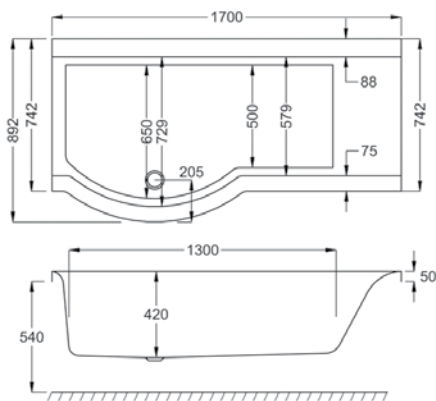
This measurement is taken to the overflow

#### KIT REFERENCES

STANDARD - AK-05

CARRONITE - AK-05-C

		5MM	CARRONITE
L 1700MM	URBAN	✓	✓
W 750-900MM	L-SHAPED SHOWERBATH PANEL	-	✓
	URBAN 1700 SB FRONT PANEL	✓	✓
	URBAN END PANEL SB	✓	✓
	SCREEN CSS-4	✓	✓
	SCREEN WRAP ROUND	✓	✓
	SET 1 (BATH, SCREEN, FRONT PANEL)	✓	✓
	SET 2 (BATH, WRAP ROUND SCREEN, FRONT PANEL)	✓	✓



Left hand and right hand baths available.  
Left hand bath shown.



Carronite Panel

#### WATER CAPACITY

260 LTR

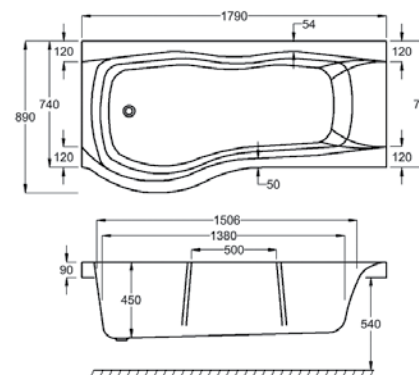
This measurement is taken to the overflow

#### KIT REFERENCES

STANDARD - AK-05

CARRONITE - AK-05-C

		5MM	CARRONITE
L 1800MM	SIGMA SHOWERBATH	✓	✓
W 750-900MM	SIGMA 1800 SB PANEL	✓	✓
	SB END PANEL	✓	✓
	SCREEN CSS-2	✓	✓
	SET (BATH, SCREEN, FRONT PANEL)	✓	✓



Left hand and right hand baths available.  
Left hand bath shown.



Carronite Panel

#### WATER CAPACITY

265 LTR

This measurement is taken to the overflow

#### KIT REFERENCES

STANDARD - AK-05

CARRONITE - AK-05-C



## FREESTANDING BATHS

Opulent, stylish, yet still practical, Carron Freestanding baths make the right statement in any luxury setting. If you value high quality manufacturing, you will value Carron Freestanding baths.

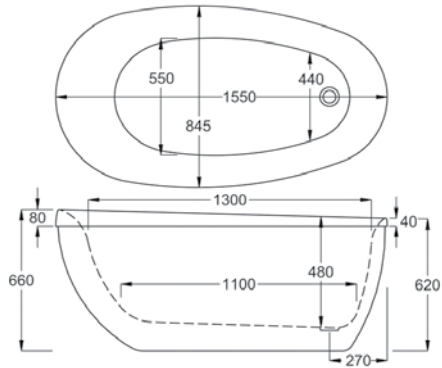
### BATHS OPPOSITE:

Top Halcyon D in white, bottom left Elysee, bottom right Paradigm.

# PARADIGM

L 1550MM  
W 850MM

	CARRONITE
PARADIGM (INC WASTE/OVERFLOW)	✓
OPTIONAL FILLER OVERFLOW/FILLER/CLICKER WASTE	✓



Carronite

**WATER CAPACITY**  
238 LTR

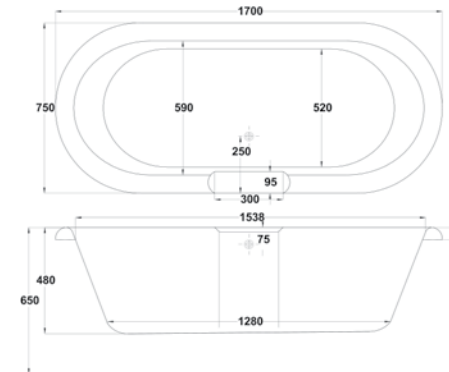
This measurement is taken to the overflow

**KIT REFERENCES**  
N/A

# ASCOLI

L 1700MM  
W 750MM

	5MM	CARRONITE
ASCOLI	✓	-
CHROME FEET	✓	-
ASCOLI INSET	✓	✓



Carronite

**WATER CAPACITY**  
247 LTR

This measurement is taken to the overflow

**KIT REFERENCES**  
N/A

# HALCYON OVAL

L 1750MM  
W 800MM

## HALCYON OVAL

(WHITE/RED/BLACK) (INCLUDES WASTE/OVERFLOW) - ✓

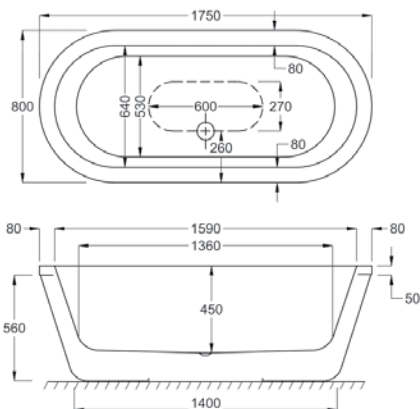
INSET OPTION HALCYON OVAL INSET ✓ ✓

OPTIONAL FILLER (FREESTANDING VERSION ONLY)

OVERFLOW/FILLER/CLICKER WASTE - ✓

5MM

CARRONITE



Carronite

### WATER CAPACITY

270 LTR

This measurement is taken to the overflow

### KIT REFERENCES

N/A

# HALCYON SQUARE

L 1750MM  
W 800MM

## HALCYON SQUARE

(WHITE/RED/BLACK) (INCLUDES WASTE/OVERFLOW) - ✓

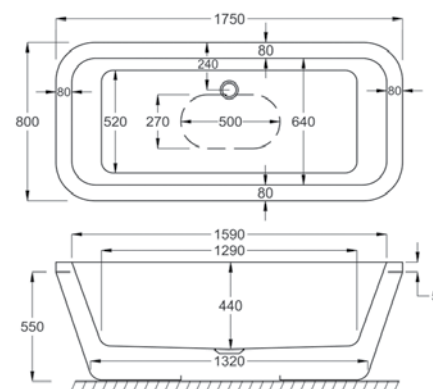
INSET OPTION HALCYON SQUARE INSET ✓ ✓

OPTIONAL FILLER (FREESTANDING VERSION ONLY)

OVERFLOW/FILLER/CLICKER WASTE - ✓

5MM

CARRONITE



Carronite

### WATER CAPACITY

286 LTR

This measurement is taken to the overflow

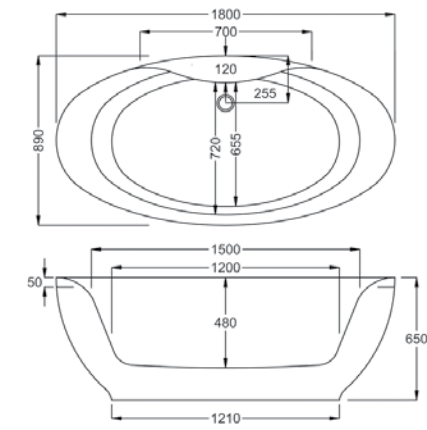
### KIT REFERENCES

N/A



# ELYSEE

	5MM	CARRONITE
L 1800MM	ELYSEE (INCLUDES WASTE/OVERFLOW)	- ✓
W 900MM	INSET OPTION ELYSEE INSET	✓ ✓
	OPTIONAL FILLER (FREESTANDING VERSION ONLY)	
	OVERFLOW/FILLER/CLICKER WASTE	- ✓



 Carronite

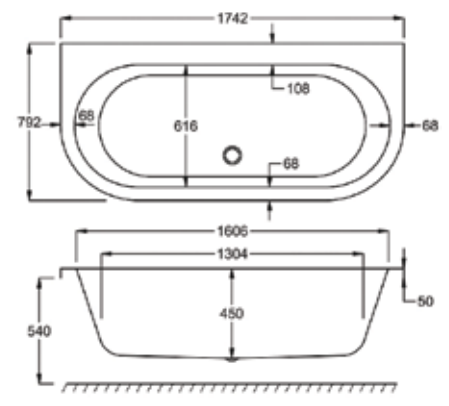
**WATER CAPACITY**  
330 LTR  
This measurement is taken to the overflow

**KIT REFERENCES**  
N/A

**NEW PRODUCT**

# HALCYON D

	5MM	CARRONITE
L 1750MM	HALCYON D	✓ ✓
W 800MM	HALCYON D ONE-PIECE PANEL (WHITE)	✓ ✓
	HALCYON D ONE-PIECE PANEL (GRANITE / COLOUR MATCH)	✓ ✓



 Carronite  Panel

**WATER CAPACITY**  
253 LTR  
This measurement is taken to the overflow

**KIT REFERENCES**  
STANDARD - AK-01  
CARRONITE - AK-01-C

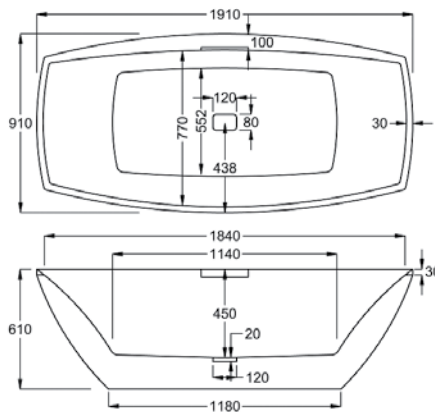
L 1910MM  
W 910MM

## CARRONITE

CELSIUS (WHITE) (INCLUDES OVERFLOW/FILLER/CLICKER WASTE)\* ✓

CELSIUS (GRANITE) (INCLUDES OVERFLOW/FILLER/CLICKER WASTE)\* ✓

\*MIN 110 BAR PRESSURE REQUIRED



Carronite

#### WATER CAPACITY

330 LTR

This measurement is taken to the overflow

#### KIT REFERENCES

N/A

## NEW PRODUCT

# HALCYON D. THE NEW ALTERNATIVE TO FREESTANDING



WE ALL LOVE THE LOOK OF A  
FREESTANDING BATH BUT SOMETIMES  
IT'S JUST NOT PRACTICAL.

Freestanding baths have always been the go to option when looking for a statement bath, unfortunately, not all bathrooms can accommodate this. Enter the Halcyon D. Using the same design features seen in the rest of the Halcyon range, The Halcyon D has a one piece detachable bath panel which allows it to retain the look and feel of a freestanding bath.

The Halcyon D (p112) dimensions are 1750 x 800mm and comes with the option of a colour matched, one piece panel.





## CORNER BATHS

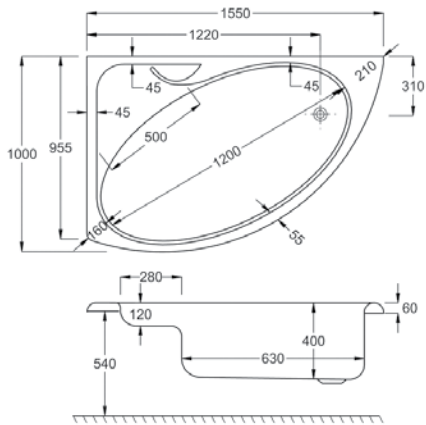
Ideal where space and layout are an issue, our Corner bath range combines great design with practicality.



BATHS OPPOSITE:  
Top Omega Offset, bottom right Tranquility.

# DOVE

		5MM	CARRONITE
L 1550MM	DOVE	✓	✓
W 950MM	AFFINITY 1550 PANEL	✓	✓



Left hand and right hand baths available.  
Right hand bath shown.



Carronite Panel

### WATER CAPACITY

190 LTR

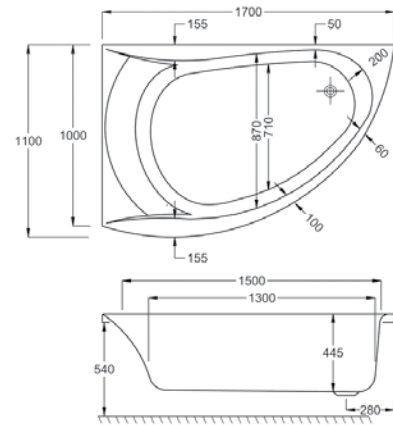
This measurement is taken to the overflow

### KIT REFERENCES

STANDARD - AK-09-C  
CARRONITE - AK-09-C

# OMEGA

		5MM	CARRONITE
L 1700MM	OMEGA	✓	✓
W 1000MM	AFFINITY 1700 PANEL	✓	✓



Left hand and right hand baths available.  
Right hand bath shown.



Carronite Panel

### WATER CAPACITY

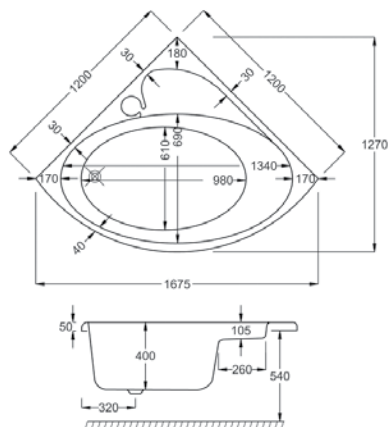
255 LTR

This measurement is taken to the overflow

### KIT REFERENCES

STANDARD - AK-05  
CARRONITE - AK-05-C

		5MM	CARRONITE
L 1200MM	ORIOLE	✓	✓
W 1200MM	AFFINITY 1200 PANEL	✓	✓



Carronite



Panel

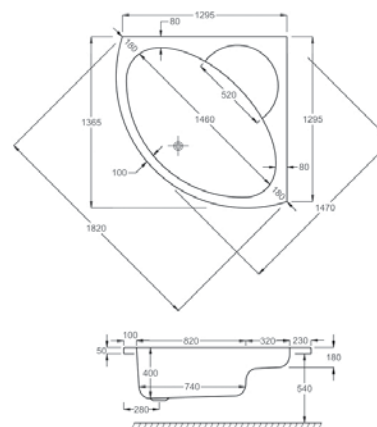
#### WATER CAPACITY 190 LTR

This measurement is taken to the overflow

#### KIT REFERENCES

STANDARD - AK-09-C  
CARRONITE - AK-09-C

		5MM	CARRONITE
L 1300MM	MONARCH	✓	✓
W 1300MM	AFFINITY 1300 PANEL	✓	✓



Carronite



Panel

#### WATER CAPACITY 235 LTR

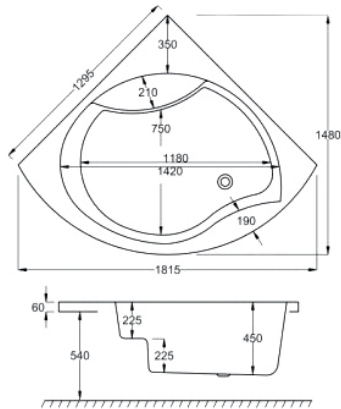
This measurement is taken to the overflow

#### KIT REFERENCES

STANDARD - AK-02  
CARRONITE - AK-02-C

# TRANQUILITY

		5MM	CARRONITE
L 1300MM	TRANQUILITY	✓	✓
W 1300MM	AFFINITY 1300 PANEL	✓	✓



Carronite



Panel

## WATER CAPACITY

295 LTR

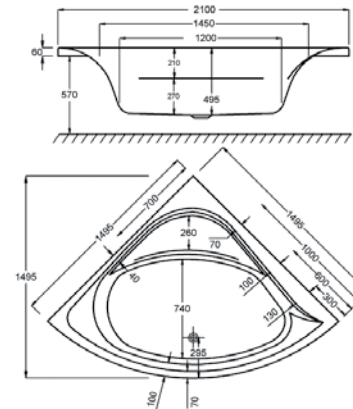
This measurement is taken to the overflow

## KIT REFERENCES

STANDARD - AK-08-C  
CARRONITE - AK-08-C

# CENTENNIAL

		5MM	CARRONITE
L 1500MM	CENTENNIAL	✓	✓
W 1500MM	CENTENNIAL PANEL	✓	✓



Carronite



Panel

## WATER CAPACITY

407 LTR

This measurement is taken to the overflow

## KIT REFERENCES

STANDARD - AK-07-C  
CARRONITE - AK-07-C



## CELSIUS RANGE

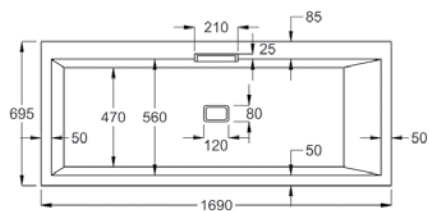
As Carron's signature range, our Celsius baths never compromise on comfort and luxury while remaining stylish and bold. Available in Standard, Showerbath, Duo and Freestanding options.



**BATHS OPPOSITE:**  
Top Celsius Rectangular, bottom right Celsius Oval.

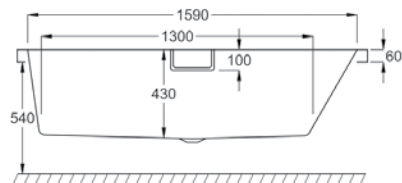
# CELSIUS 700

	5MM	CARRONITE
L 1700MM		✓
W 700MM		✓
CELSIUS 700	-	✓
"L" PANEL 700	-	✓
1700 FRONT PANEL	-	✓
SCREEN CFS-1 (H=1400MM)	-	✓
SCREEN CFS-2 (H=1500MM)	-	✓
OPTIONAL FILLER/OVERFLOW/CLICKER WASTE		



The Celsius bath requires the uniquely designed overflow / filler or standard overflow unit. Please ask for more information.

Left hand and right hand baths available.  
Right hand bath shown.



Carronite



Panel

## WATER CAPACITY

265 LTR

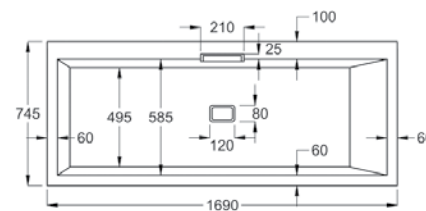
This measurement is taken to the overflow

## KIT REFERENCES

CARRONITE - AK-01-C

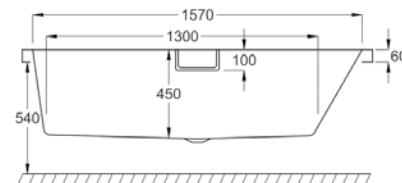
# CELSIUS 750

	5MM	CARRONITE
L 1700MM		✓
W 750MM		✓
CELSIUS 750	-	✓
"L" PANEL 750	-	✓
1700 FRONT PANEL	-	✓
SCREEN CFS-1 (H=1400MM)	-	✓
SCREEN CFS-2 (H=1500MM)	-	✓
OPTIONAL FILLER/OVERFLOW/CLICKER WASTE		



The Celsius bath requires the uniquely designed overflow / filler or standard overflow unit. Please ask for more information.

Left hand and right hand baths available.  
Right hand bath shown.



Carronite



Panel

## WATER CAPACITY

275 LTR

This measurement is taken to the overflow

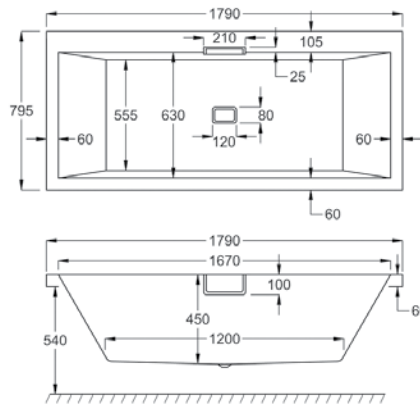
## KIT REFERENCES

CARRONITE - AK-01-C



# CELSIUS 1800

	5MM	CARRONITE
L 1800MM	<b>CELSIUS 1800</b> (INCLUDES OVERFLOW/FILLER/CLICKER WASTE)	✓
W 800MM	"L" PANEL 1800	✓
	1800 FRONT PANEL	✓
	SCREEN CFS-1 (H=1400MM)	✓
	SCREEN CFS-2 (H=1500MM)	✓
	OPTIONAL FILLER/OVERFLOW/CLICKER WASTE	



The Celsius bath requires the uniquely designed overflow / filler or standard overflow unit. Please ask for more information.



Carronite



Panel

## WATER CAPACITY

300 LTR

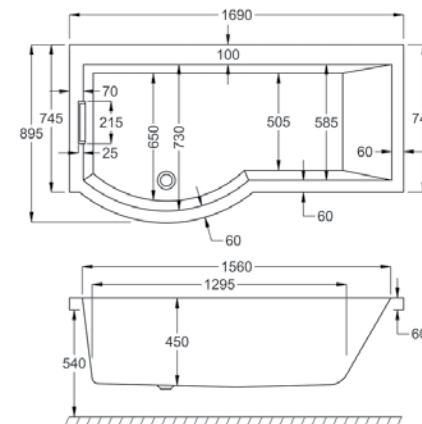
This measurement is taken to the overflow

## KIT REFERENCES

CARRONITE - AK-03-C

# CELSIUS SHOWERBATH

	5MM	CARRONITE
L 1700MM	<b>CELSIUS SHOWERBATH</b> (INCLUDES OVERFLOW/FILLER/CLICKER WASTE)	✓
W 750 - 900MM	"L" SHAPED SHOWERBATH	✓
	SHOWERBATH FRONT PANEL	✓
	SCREEN CSS-4	✓
	SCREEN "WRAP ROUND"	✓
	OPTIONAL FILLER/OVERFLOW/CLICKER WASTE	



The Celsius bath requires the uniquely designed overflow / filler or standard overflow unit. Please ask for more information.

Left hand and right hand baths available.  
Left hand bath shown.



Carronite



Panel



Showerscreen

## WATER CAPACITY

305 LTR

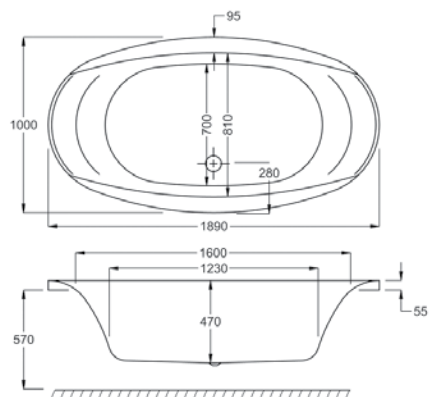
This measurement is taken to the overflow

## KIT REFERENCES

CARRONITE - AK-05-C

# CELSIUS OVAL

		5MM	CARRONITE
L 1900MM	CELSIUS OVAL	-	✓
W 1000MM	FRONT OVAL PANEL	-	✓



The Celsius oval bath can only be fully inset or half set into a unit.



Carronite

## WATER CAPACITY

320 LTR

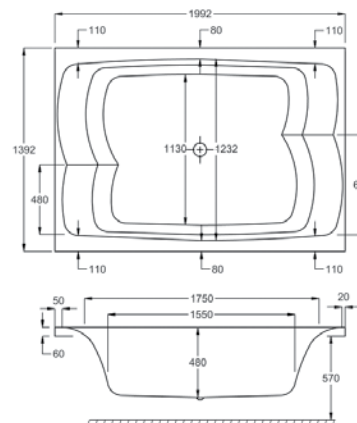
This measurement is taken to the overflow

## KIT REFERENCES

CARRONITE - IK-UK-16

# CELSIUS DUO

		5MM	CARRONITE
L 2000MM	CELSIUS DUO	-	✓
W 1400MM			



Extended waste / overflow fittings required for the Celsius Duo bath.



Carronite

## WATER CAPACITY

560 LTR

This measurement is taken to the overflow

## KIT REFERENCES

CARRONITE - AK-01-C x 2

## PANELS & ACCESSORIES

Designed and manufactured specifically to fit perfectly with the Carron range. You can be guaranteed a perfect fit and an easy install.

### "L" SHAPED PANELS

LENGTH x WIDTH	HEIGHT	5MM £	CARRONITE £
1500 x 700	515	-	✓
1600 x 700	515	-	✓
1600 x 750	540	-	✓
1600 x 800	540	-	✓
1650 x 700	515	-	✓
1675 x 700	515	-	✓
1700 x 700	515	-	✓
1700 x 700	540	-	✓
1700 x 725	540	-	✓
1700 x 750	540	-	✓
1700 x 800	540	-	✓
1800 x 800	540	-	✓

### CONCORD FRONT PANELS

LENGTH	HEIGHT	5MM £	CARRONITE £
1400	515	✓	✓
1500	515	✓	✓
1600	515	✓	✓
1650	515	✓	✓
1675	515	✓	✓
1700	515	✓	✓
1700	540	✓	✓
1800	540	✓	✓
1900	570	✓	✓

### QUANTUM FRONT PANELS

LENGTH	HEIGHT	5MM £	CARRONITE £
1500	515	✓	✓
1600	515	✓	✓
1700	515	✓	✓
1700	540	✓	✓
1800	540	✓	✓

**END PANELS**

	HEIGHT	5MM £	CARRONITE £
700	515	✓	✓
750	515	✓	✓
800	515	✓	✓
700	540	✓	✓
725	540	✓	✓
750	540	✓	✓
800	540	✓	✓
900	540	✓	✓
900	570	✓	✓

**SPECIAL PANELS**

	HEIGHT	5MM £	CARRONITE £
AXIS 1500 FRONT PANEL	430	✓	✓
AXIS 1600 FRONT PANEL	430	✓	✓
AXIS 1700 FRONT PANEL	430	✓	✓
AXIS 700 END PANEL	430	✓	✓
MISTRAL FRONT PANEL	540	✓	-
MISTRAL END PANEL	540	✓	-
HALCYON 'D' PANEL (WHITE)	540	-	✓
HALCYON 'D' PANEL (GRANITE)	540	-	✓
STATUS 1600 PANEL	540	✓	✓
STATUS 1700 PANEL	540	✓	✓
STATUS 17.80 PANEL	540	✓	✓
QUANTUM SPACESAVER FRONT PANEL	540	✓	✓
QUANTUM SPACESAVER END PANEL	540	✓	✓

**HEADRESTS**

HEADRESTS	COMPATIBLE	RRP (EX VAT)
HR600	HAIKU, LINEA	✓
HR700	HAIKU	✓
HR800	ALPHA/ASPECT/AXIS/DELTA/IMPERIAL/INDEX/SIGMA	✓
HR900	AGENDA/HALCYON SQUARE/QUANTUM/CELSIUS 700	✓

# CONTACT

---

If you need more information on a specific product, a recent purchase or would like to learn more about Carron Bathrooms and our products and services, please call us on **+44 (0)1324 673 019**.

**WEB:** [carronbathrooms.com](http://carronbathrooms.com)

**FOLLOW:** [facebook/carronbathrooms](https://www.facebook.com/carronbathrooms)

**ADDRESS:**

Carron Bathrooms Limited  
North Carron Works  
Stenhouse Rd  
Falkirk FK2 8UW  
Scotland  
United Kingdom

**TEL.** +44 (0)1324 673 019

**FAX.** +44 (0)1324 611 490

**EMAIL.** [info@carronbathrooms.com](mailto:info@carronbathrooms.com)

**VAT NO.** 751 5997 92

**COMPANY REG NO.** 80506

Please note: All dimensions shown in this document are nominal and approximate. Full technical drawings are available from your retailer or [www.carronbathrooms.com](http://www.carronbathrooms.com)  
Carron Bathrooms' policy is one of continuous product improvement. We therefore reserve the right to change specifications, designs and costings without notice. All contents of this brochure © Carron Bathrooms Limited. JAN2015 – E & OE. For the full range of Carron products please visit our website.  
Design: [Sevenfivecreative.com](http://Sevenfivecreative.com)

**[carronbathrooms.com](http://carronbathrooms.com)**