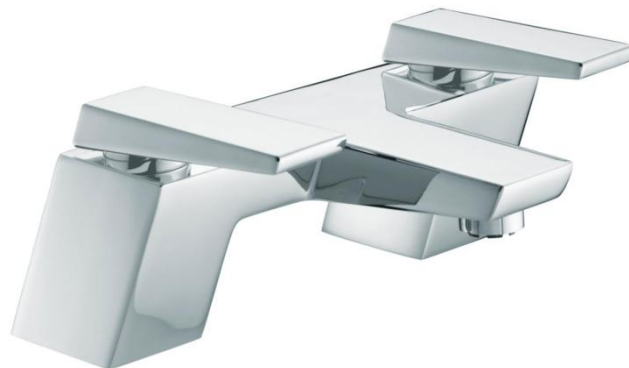


TECHNICAL DATA SHEET

BRISTAN

Sail

Sail Bath Filler



Product Specification

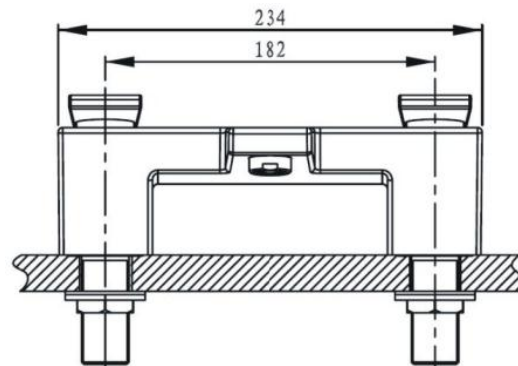
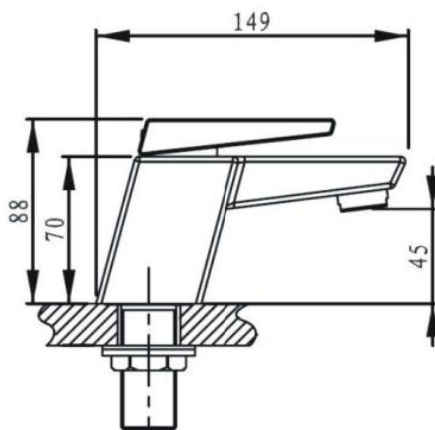
Product Code:	SAI BF C
Finish:	Chrome
Product Type:	Contemporary
Construction:	Body is of brass construction and is designed to conform to BS EN 200
Valve Type:	1/4 Turn 3/4" ceramic disc valves
Supply:	Suitable for all plumbing systems
Inlet Connections:	3/4" BSP
Working Pressures:	Min 0.2bar, Max 8.0bar

Additional Information

- Supplied with Metal Handles.
- Supplied with Metal Backnuts
- Chrome plated to BS EN 248.

Technical Advice: For further information please call 0844 7016273 or email customer care@bristan.com.

Guarantee: 5 years covering manufacturing faults.



Flow Rates (litres per minute)

System Pressure	0.2bar	0.5bar	1bar	2bar	3bar	5bar
Bath Filler (Hot)	17.4	29.3	41.1	59.4	--	--
Bath Filler (Cold)	17.5	30.2	41.2	58.4	64.4	--

Bristan, Birch Coppice Business Park, Dordon, Tamworth, B78 1SG
Telephone: 0844 701 6274 Facsimile: 0844 701 6275
Web Site: www.bristan.com Email: enquire@bristan.com



D2

The information contained on this page was correct at date of issue. Fitting dimensions are provided as a guide only. Some variation may occur due to manufacturing tolerances. Bristan pursues a policy of continuing improvement in design and performance of its products and so reserves the right to change specifications without prior notice.