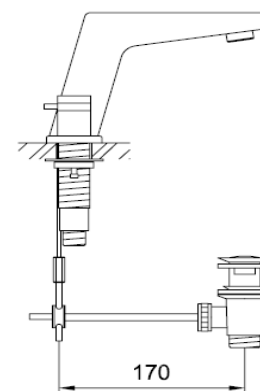
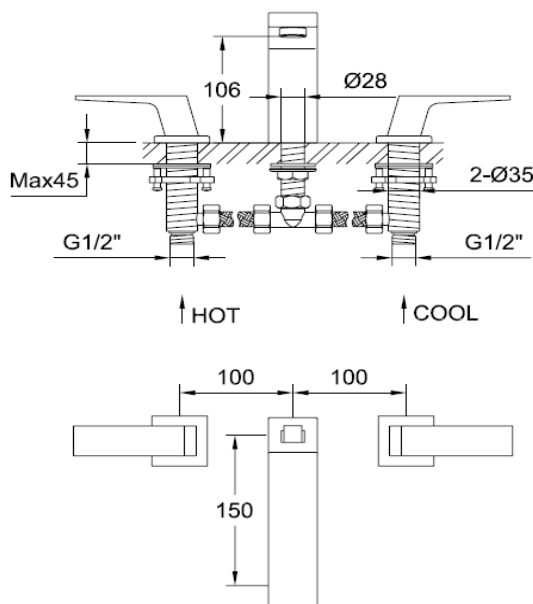


## Sail 3 Hole Basin Chrome

### Product Specification

Product Code:	SAI 3HBAS C
Finish:	Chrome plated
Product Type:	Traditional
Construction:	Bodies are of all brass construction and are designed to conform to BS EN 200
Valve Type:	40mm Cartridge
Supply:	Suitable for high pressure systems
Inlet Connections:	½" BSP
Working Pressures:	Min 2.0 Bar Max 5.0 Bar



### Additional Information

- Supplied with metal handle
- Chrome plated to BS EN 248

**Technical Advice:** For further information please call 0844 7016273 or email [customer@bristan.com](mailto:customer@bristan.com).

**Guarantee:** 5 years covering manufacturing faults.

### Flow Rates (litres per minute)

System Pressure	2.0bar	3.0bar	4.0bar	5.0bar
SAI 3HBAS C (Mixed)	10.4	13.1	15.5	17.5