

Grant Vortex Oil Range

Internal and external oil-fired condensing boilers
with outputs from 12kW to 70kW



Award winning range • 46 different models • Outputs from 12-70kW • Internal, external and boiler house ranges with floor standing and wall hung options • 89.5 - 93.3% Gross SAP2009 annual efficiency • Whisper quiet operation • Five-year heat exchanger guarantee • ErP ready • High efficiency circulating pumps • Energy Saving Trust recommended • Designed and manufactured by Grant



Grant Profile

At Grant we have been designing and manufacturing reliable and easy to install heating products for over 35 years. From award winning oil-fired condensing boilers to the latest renewable technologies, our heating systems have a reputation for quality that is second to none.

We combine precision engineering, innovation, performance and value for money to produce sustainable heating solutions that are trusted by both installers and householders.



Quality Design

There is never a compromise on quality. We design all of our products so that you can be sure that the durability and efficiency are sector leading. We continually develop new technologies and use only the best materials to ensure our products exceed all performance and environmental standards.

Our belief in simple solutions ensures that, while our technology is sophisticated, our products are low maintenance and easy to install. For a high quality, reliable and sustainable heating system, trust in Grant.

Heating Responsibly

Grant manufacture heating systems that respond to the challenges of rising fuel costs whilst protecting our environment. Environmental responsibility is central to all we do and we continue to develop and innovate to produce even more efficient products that make best use of our natural resources.

We are passionate about developing sustainable, high-performance and affordable alternatives for heating homes into the future.

Our Guarantee

The Grant label is a guarantee of reliability, quality and value. We put our customers first and our independence ensures that we can monitor our standards and processes to deliver the very best quality and service.

That's why, when you order your system from a Grant stockist, you can be sure of a tailored service and excellent aftersales support.

Oil Condensing Technology



What is a Condensing Boiler?

Condensing boilers are designed to capture heat normally lost through the flue system during the combustion process.

Unlike traditional oil-fired boilers the Grant Vortex condensing boiler has a built-in stainless steel heat exchanger incorporating our unique turbulator baffle system which cools the gases to a point where the latent heat, normally lost to the atmosphere through the flue, can be usefully extracted. The additional energy recovered enables the boiler to operate continuously at much higher efficiency levels, resulting in lower heating and hot water running costs.

The Benefits of Grant Vortex

While older oil-fired boilers operate with energy efficiency levels as low as 65%, modern boilers operate with much higher efficiency. The Grant Vortex range has the highest energy efficiency rating in the UK which not only significantly lowers fuel bills but also considerably reduces greenhouse gas emissions and lessens the environmental impact of domestic hot water and heating systems.

All Grant Vortex boilers are easy to install and can either be connected to a conventional 'stainless steel' flue or one of Grant's EZ-Fit flue options using an existing chimney.



Award Winning Technology

Grant has become synonymous with highly efficient oil-fired central heating appliances which help thousands of homeowners to reduce their annual fuel bills. Our Vortex oil-fired condensing boilers have some of the highest efficiencies available, far in excess of any UK or European Standards, and are the market leading product in this sector.

We have received numerous prestigious and high profile awards in recognition of our innovative product design, high quality engineering and exceptional training.

- H&V News Domestic product of the Year 2003 (Vortex range)
- H&V News Training Initiative of the Year 2004 (Training Academy)
- Which? Best Buy Boiler 2008 (Vortex Combi Pro 26)
- OFTEC Best Member Website 2014 (www.grantuk.com)

Trusted by the trade and appreciated by our customers, the Grant Vortex range provides high efficiency, reduced fuel costs and unparalleled customer satisfaction.

Grant Vortex **Eco Utility** Range

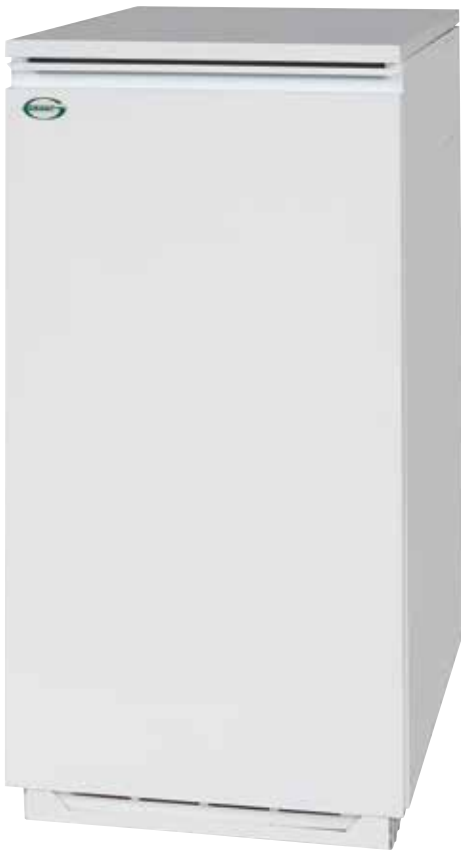
Introduction

The Grant Vortex Eco Utility range was launched as a direct response to customer demand for a competitively priced condensing boiler.

The Eco models incorporate the latest version of the Grant Vortex stainless steel heat exchanger. Outputs range between 15kW and 35kW (50-120,000Btu/h) with SAP 2009 gross seasonal efficiencies of 90.3 - 90.8% gross.

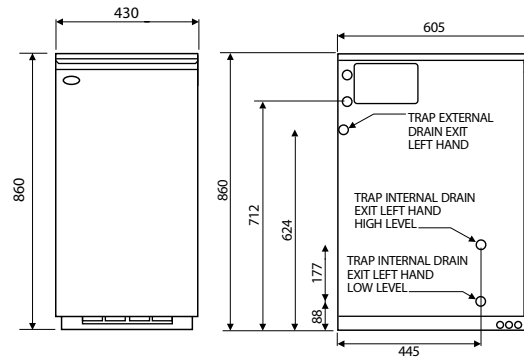
As you would expect from a product with this pedigree, Grant Vortex Eco Utility boilers are exceptionally quiet in operation and feature the latest Riello burner technology. The boilers also have a simplified casing, control panel and pipework arrangement, making them the ideal choice for utility room installations.

All standard Eco Utility boilers are designed to allow the burner and combustion chambers to be serviced from the front, however, models fitted with a sealed system kit require top service access.

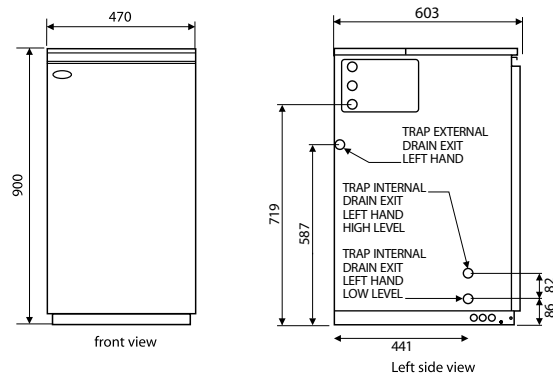


Dimensions (mm)

Grant Vortex Eco 15-21 and 21-26 Utility and System



Grant Vortex Eco 26-35 Utility and System



Condensate Removal

The condensate trap is now factory fitted within the white case on Grant Vortex Eco Utility boilers, but can also be positioned externally if preferred.

Flueing

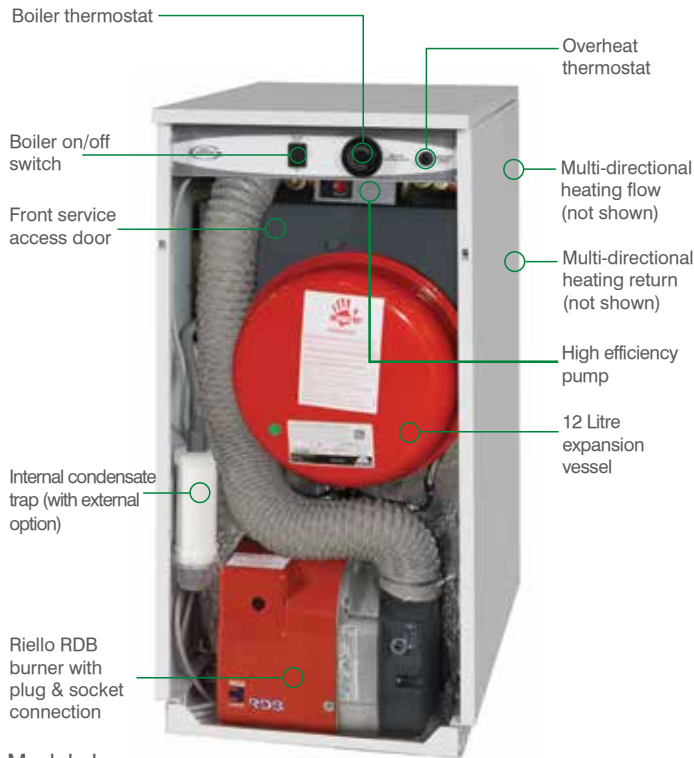
Utility models are compatible with all of Grant's EZ-Fit flue options and capable of being flued from the top, rear, left or right hand sides of the appliance.

Sealed System Models

Grant Vortex Eco Utility boilers are also available in sealed system versions. These include a factory fitted expansion vessel, filling loop, pressure gauge, automatic air vent, pressure relief valve and high efficiency circulating pump, enabling boilers to be installed without the need for a feed and expansion tank in the loft.

Grant Vortex Eco Utility System Models

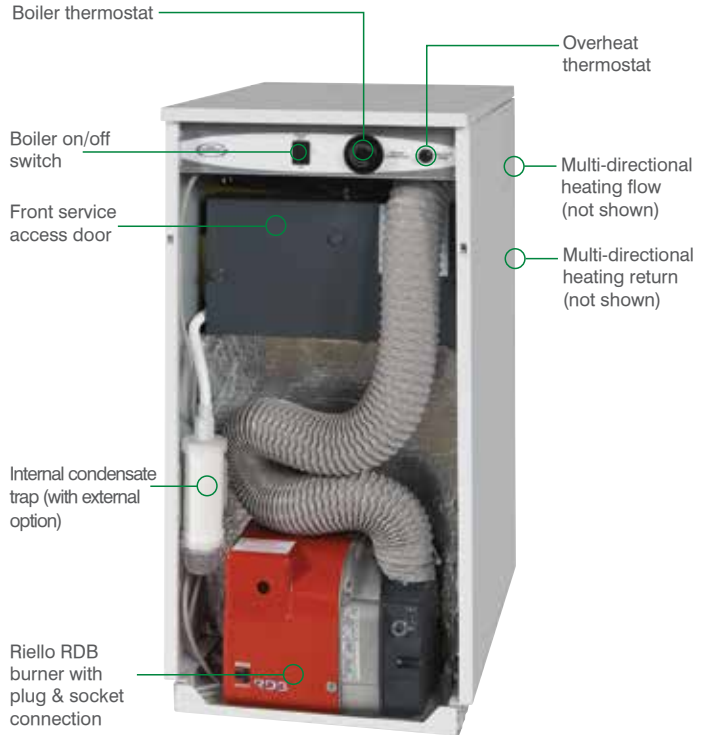
VTXSECO15/21 / VTXSECO21/26 / VTXSECO26/35



Model shown:
VTXSECO15/21 (front view)

Grant Vortex Eco Utility Models

VTXECO15/21 / VTXECO21/26 / VTXECO26/35



Model shown:
VTXECO15/21 (front view)

Technical Specifications

Model	Eco Utility Models			Eco Utility System Models		
	15-21	21-26	26-35	15-21S	21-26S	26-35S
Output kW	15 to 21	21 to 26	26 to 35	15 to 21	21 to 26	26 to 35
Output Btu/h	50-70,000	70-90,000	90-120,000	50-70,000	70-90,000	90-120,000
Flow connection	22mm	22mm	22mm	22mm	22mm	22mm
Return connection	22mm	22mm	22mm	22mm	22mm	22mm
Cold water in (system kit)	n/a	n/a	n/a	15mm	15mm	15mm
Pressure relief (system kit)	n/a	n/a	n/a	15mm	15mm	15mm
Weight (dry)	97kg	97kg	127kg	123kg	123kg	138kg
Condensate pipe	21.5mm OD plastic overflow pipe					

Note 1: The boiler flow and return connections exit the casing on the left or right hand side.
Note 2: Grant Vortex Eco Utility boilers are suitable for fully pumped systems only.



*System models only

Grant Vortex **Eco External** Range

Introduction

Grant developed the first oil-fired external boiler in 1986 and although the concept was new to the oil market, it quickly became a popular addition to the range. Today, as around one in four oil boiler installations are external, Grant have expanded the number of options available with the launch of three competitively priced Eco External modules. The models have outputs between 15kW and 35kW (50-120,000Btu/h) and SAP 2009 gross seasonal efficiencies of 90.3 - 90.8% gross.

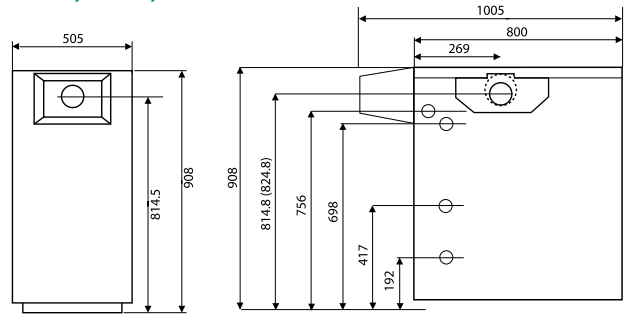
External Finish

This high efficiency Eco External range has some unique features including multi-directional flueing options, high quality external powder coated paint finish, built-in boiler frost protection, mains isolating switch and a test switch.



Dimensions (mm)

Grant Vortex Eco External and External System 15-21, 21-26, 26-35



Sealed System Models

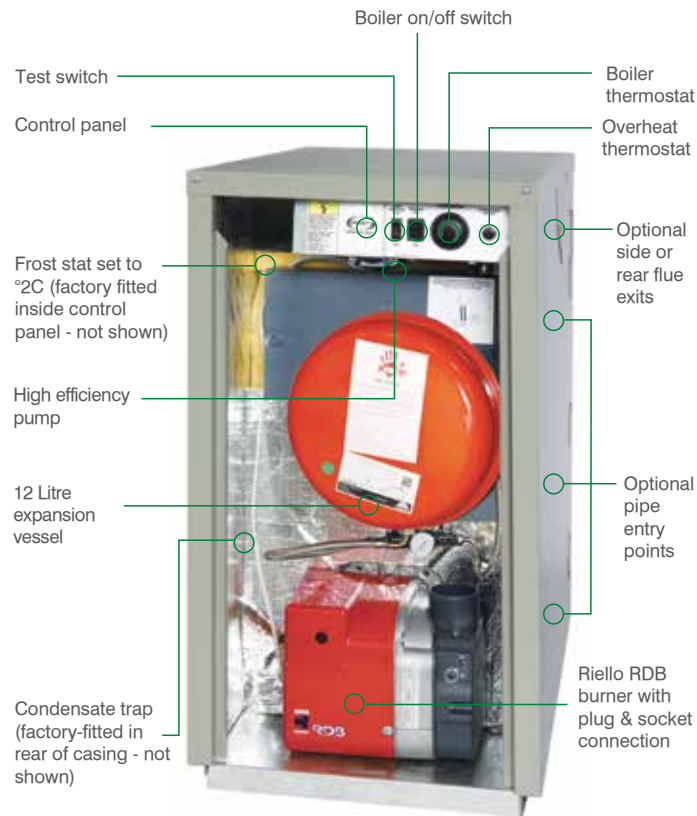
Grant Vortex Eco External boilers are also available in sealed system versions. These include a factory fitted expansion vessel, filling loop, pressure gauge, automatic air vent, pressure relief valve and high efficiency circulating pump, enabling boilers to be installed without the need for a feed and expansion tank in the loft.



Model shown: Grant Vortex Eco External Module

Grant Vortex Eco External Sealed System Modules

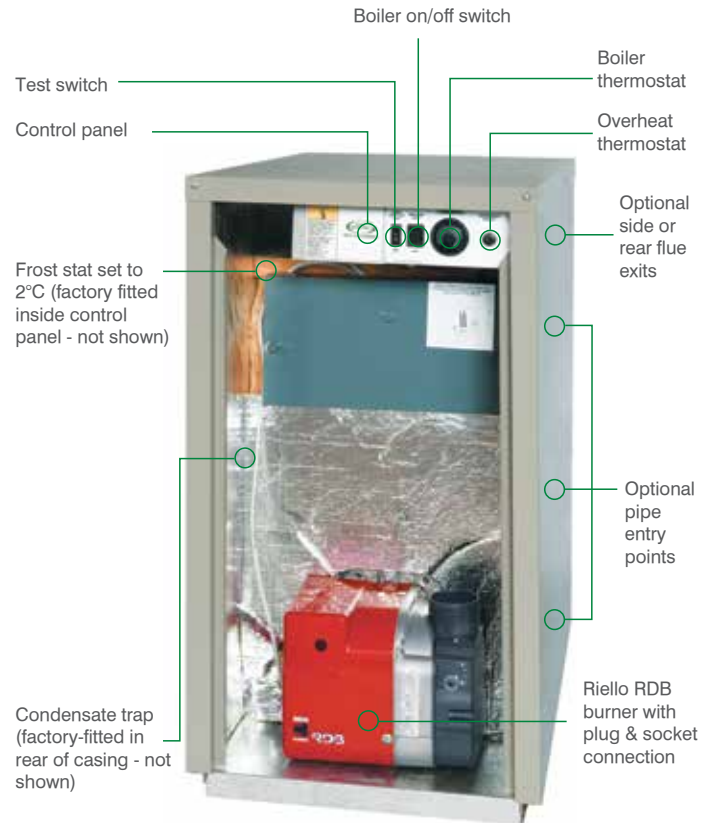
VTXSOMECO15/21 / VTXSOMECO21/26 / VTXSOMECO26/35



Model shown:
VTXSOMECO15/21 (front view)

Grant Vortex Eco External Modules

VTXOMECO15/21 / VTXOMECO21/26 / VTXOMECO26/35



Model shown:
VTXOMECO15/21 (front view)

Technical Specifications

Model	Eco External modules			Eco External System modules		
	15-21	21-26	26-35	15-21	21-26	26-35
Output kW	15 to 21	21 to 26	26 to 35	15 to 21	21 to 26	26 to 35
Output Btu/h	50-70,000	70-90,000	90-120,000	50-70,000	70-90,000	90-120,000
Flow connection	22mm	22mm	22mm	22mm	22mm	22mm
Return connection	22mm	22mm	22mm	22mm	22mm	22mm
Cold water in (system kit)	n/a	n/a	n/a	15mm	15mm	15mm
Pressure relief (system kit)	n/a	n/a	n/a	15mm	15mm	15mm
Weight (dry)	113kg	113kg	142kg	136kg	136kg	152kg
Condensate pipe	21.5mm OD plastic overflow pipe					

Note 1: All boiler connections can be positioned to the left or right of the appliance.
Note 2: Grant Vortex Eco External modules are suitable for fully pumped systems only.



*System models only

Grant Vortex **Eco Wall Hung** Range

Introduction

Grant's wall hung oil-fired boiler range comprises four internal and four external models.

Available in outputs ranging from 12-21kW, in both sealed system and open-vented system variants, these new appliances are pre plumbed and encompass Grant's patented Vortex stainless steel heat exchanger and turbulator baffle system.

All internal models require a separate flue kit (not supplied with the boiler) and are compatible with all Grant EZ-Fit low level, high level and vertical flue systems, so now almost any installation situation can be catered for.

Unique External Modules

All Grant Vortex Eco Wall Hung external models come complete with a factory fitted flue, high quality external powder coated paint finish, built-in boiler frost protection, mains isolating switch and a test switch.

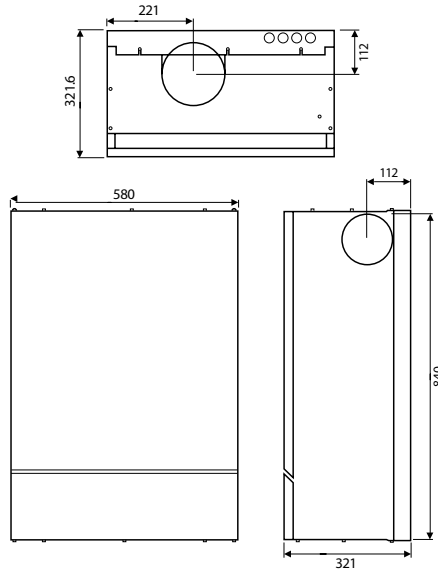
Sealed System Models

Grant Vortex Eco Wall Hung boilers are also available in sealed system versions. These include a factory fitted expansion vessel, filling loop, pressure gauge, automatic air vent, pressure relief valve and high efficiency circulating pump, enabling boilers to be installed without the need for a feed and expansion tank in the loft.

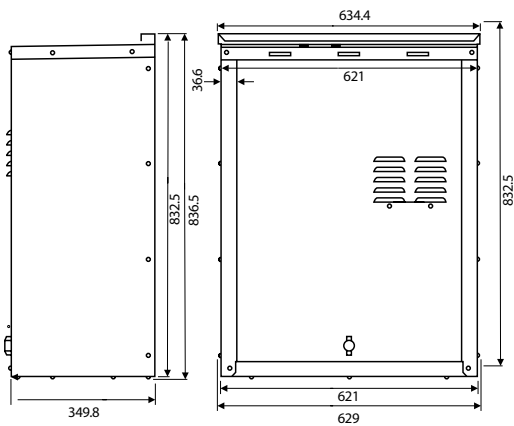


Dimensions (mm)

Grant Vortex Eco Wall Hung Internal 12-16, 16-21

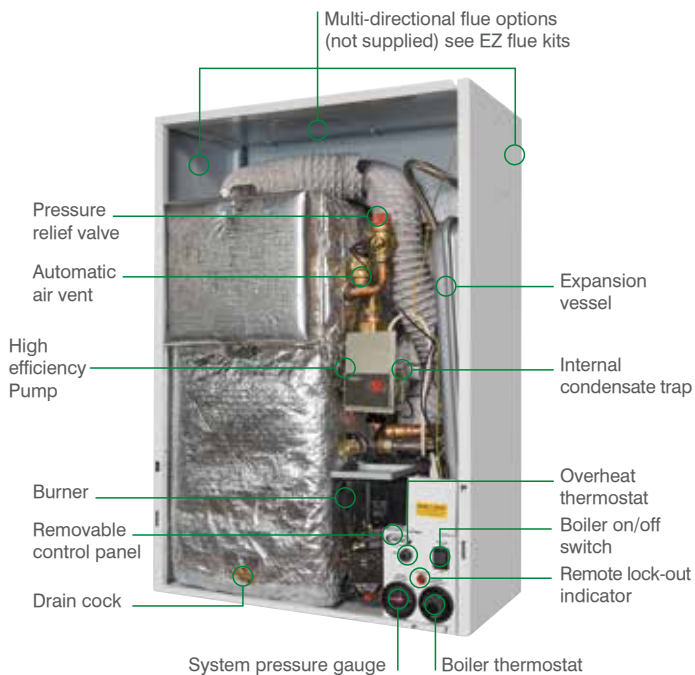


Grant Vortex Eco Wall Hung External 12-16, 16-21



Grant Vortex Eco Wall Hung Internal/ Internal System Models

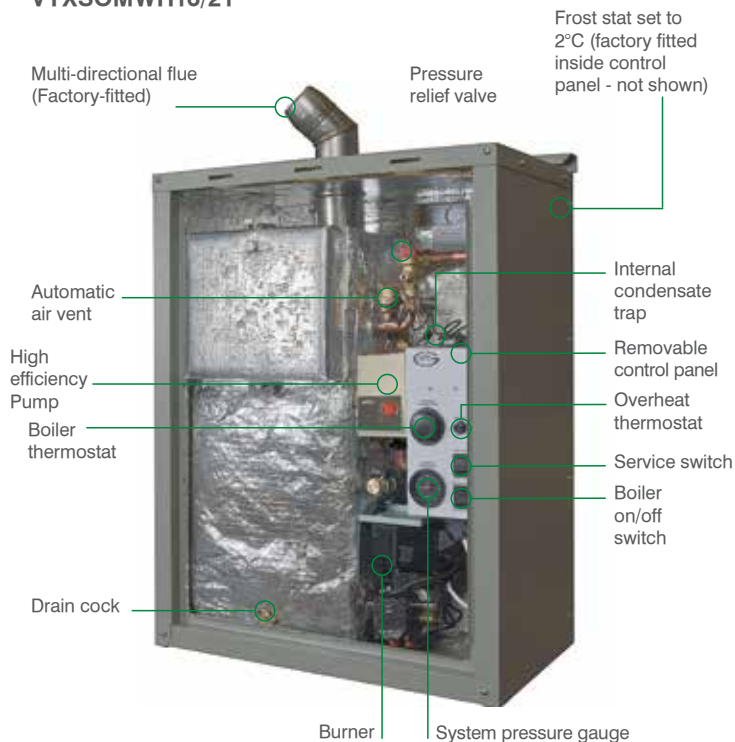
VTXWH12/16 / VTXWH16/21 / VTXSWH12/16 / VTXSWH16/21



Model shown:
VTXSWH12/16 (front view)

Grant Vortex Eco Wall Hung External/ External System Models

VTXOMWH12/16 / VTXOMWH16/21 / VTXSOMWH12/16 /
VTXSOMWH16/21



Model shown:
VTXSOMWH12/16 (front view)

Technical Specifications

Model	Internal Models		Internal System Models		External Modules		External System Modules	
	12-16	16-21	12-16	16-21	12-16	16-21	12-16	16-21
Output kW	12 to 16	16 to 21	12 to 16	16 to 21	12 to 16	16 to 21	12 to 16	16 to 21
Output Btu/h	40-55,000	55-70,000	40-55,000	55-70,000	40-55,000	55-70,000	40-55,000	55-70,000
Flow connection	22mm	22mm	22mm	22mm	22mm	22mm	22mm	22mm
Return connection	22mm	22mm	22mm	22mm	22mm	22mm	22mm	22mm
Cold water in	n/a	n/a	15mm	15mm	n/a	n/a	15mm	15mm
Pressure relief	n/a	n/a	15mm	15mm	n/a	n/a	15mm	15mm
Weight (dry)	86kg	86kg	98kg	98kg	93kg	93kg	97kg	97kg
Condensate pipe	21.5mm OD plastic overflow pipe							

Note 1: The boiler flow connection exits the casing on the top or bottom.
Note 2: The return connection is located on the right and the condensate drain on the left.



*System models only

Grant Vortex Pro Kitchen/Utility Range

Introduction

The Grant Vortex Pro Kitchen/Utility range enables a number of new programmer options to be used with the appliance.

A plug-in programmer (Product code: EPKIT) can be installed within the fascia, or alternatively, the receiver for Grant's wireless RFT Kit (Product code: RFTKIT) can be located within the knockout and the programmer sited conveniently within the building.

The boilers have very high SAP 2009 gross seasonal efficiencies of between 90.7 - 93.3% and feature the 'award winning' unique Grant Vortex stainless steel condensing heat exchanger, and turbulator baffle system. The 15-21 utility model has been designed to fit within a kitchen unit and, due to its reduced width, can be used as a direct replacement for most older oil-fired boilers.

There are nine models within the range covering outputs from 15-70kW (50,000-240,000 Btu/h), all of which feature Grant's new internal condensate trap.

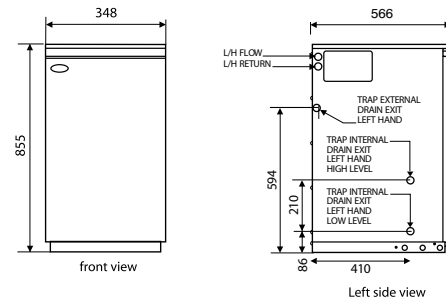
Sealed System Models

Sealed system variants of the Kitchen/Utility range are available in outputs of 15-26kW, 26-36kW and 36-46kW. Larger models above 46kW can also be converted to sealed system operation.

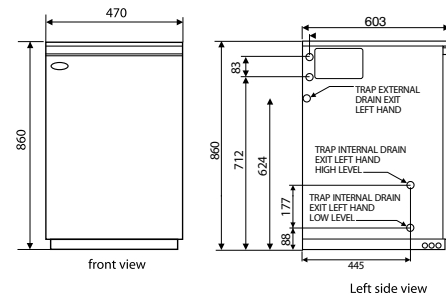


Dimensions (mm)

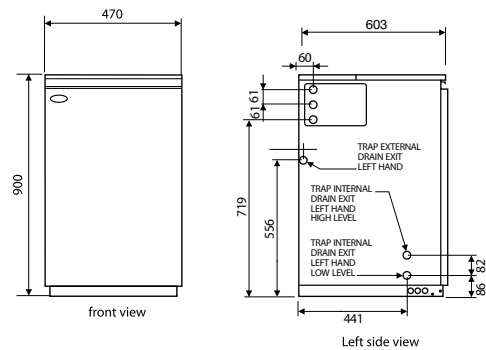
Grant Vortex Pro 15-21 Kitchen/Utility



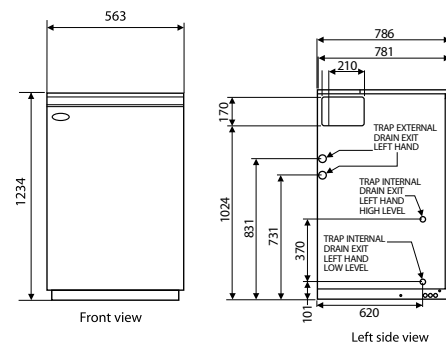
Grant Vortex Pro 15-26 Kitchen/Utility and System



Grant Vortex Pro 26-36 and 36-46 Kitchen/Utility and System

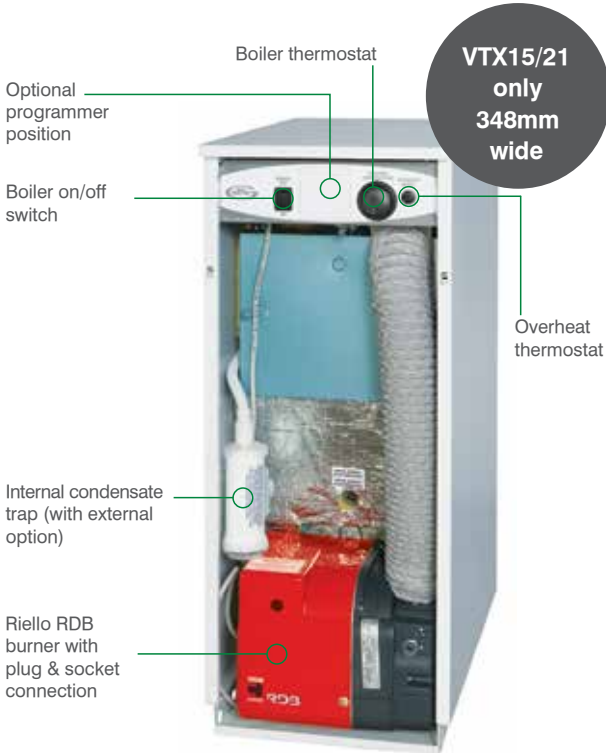


Grant Vortex Pro 46-58 and 58-70 Kitchen/Utility



Grant Vortex Pro Kitchen/Utility Models

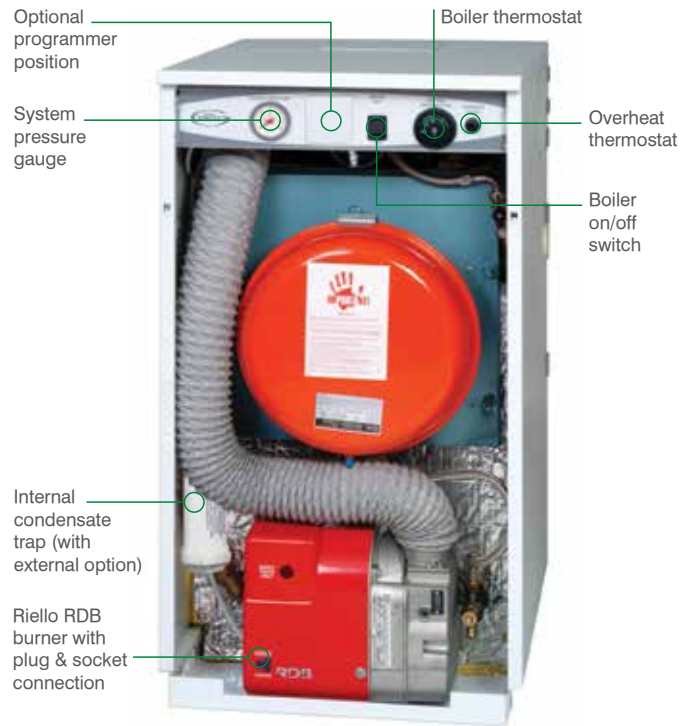
VTX15/21 / VTX15/26 / VTX26/36 / VTX36/46 / VTX46/58 / VTX58/70



Model shown: VTX15/21 (front view)

Grant Vortex Pro Kitchen/Utility Sealed System Models

VTXS15/26 / VTXS26/36 / VTXS36/46



Model shown: VTXS15/26 (front view)

Technical Specifications									
Model	Kitchen/Utility Models						Kitchen/Utility System Models		
	15-21	15-26	26-36	36-46	46-58	58-70	15-26S	26-36S	36-46S
Output kW	15 to 21	15 to 26	26 to 36	36 to 46	46 to 58	58 to 70	15 to 26	26 to 36	36 to 46
Output Btu/h	50-70,000	50-90,000	90-123,000	123-157,000	157-200,000	200-240,000	50-90,000	90-123,000	123-157,000
Flow connection	22mm	22mm	28mm	28mm	1 1/4" BSP	1 1/4" BSP	22mm	28mm	28mm
Return connection	22mm	22mm	28mm	28mm	1 1/4" BSP	1 1/4" BSP	22mm	28mm	28mm
Cold water in (system kit)	n/a	n/a	n/a	n/a	n/a	n/a	15mm	15mm	15mm
Pressure relief (system kit)	n/a	n/a	n/a	n/a	n/a	n/a	15mm	15mm	15mm
Weight (dry)	97kg	130kg	144kg	144kg	268kg	282kg	138kg	167kg	168kg
Condensate pipe	21.5mm OD plastic overflow pipe								

Note 1: The boiler flow and return connections exit the casing on the left or right hand side.
Note 2: Grant Vortex Pro Kitchen/Utility boilers are suitable for fully pumped systems only.



*System models only

Grant Vortex Pro Combi Range

Introduction

The latest Grant Vortex Combi models feature internal frost protection, 24ltr expansion vessel, neon diagnostic indicators and a factory fitted internal condensate trap (this can be sited externally if preferred), all designed to make installation and servicing easier. The Grant Vortex Pro Electronic Condensing Combi boilers are available as internal or external models in three sizes - 21kW, 26kW* and 36kW.

Unique Designs

The Grant Vortex Pro Combi features large heat exchangers which, due to their low water content and larger surface area, vastly increase the hot water performance available and mixing valves are pre-set at 50°C, controlling accurately the hot water draw off temperature from the boiler. They also feature a low system pressure cut off switch, enabling the combi to protect itself in the unlikely event of system water loss. Additionally, there are two very accurate electronic temperature controls which allow the boiler to operate in condensing mode on central heating, whilst maintaining its instant hot water production.

New Combi XS model

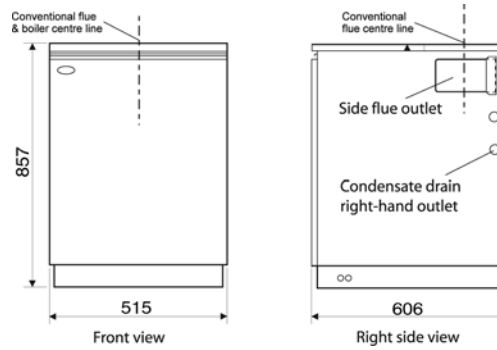
As many oil boilers are sold as replacement products for older inefficient appliances, which tend to be smaller in physical dimension, the size of a new boiler plays an important part in the decision of what product to fit. The new Vortex Pro Combi XS is a compact 26kW boiler, developed as an addition to the existing range which means it can replace an older oil-fired combi, as it is only 515mm wide. This new boiler has almost identical characteristics on both combustion efficiency and domestic hot water performance as its larger version and utilises all of the existing components. The only difference is that the 24 litre expansion vessel, normally located behind the front door of the boiler, will now be supplied as an externally fitted vessel kit.



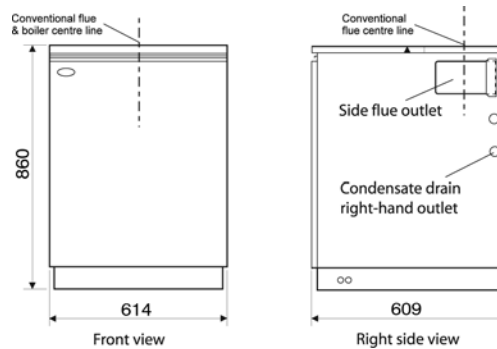
* Grant Vortex Pro Combi 26kW internal - Awarded 'Which? Best Buy 2008'.

Dimensions (mm)

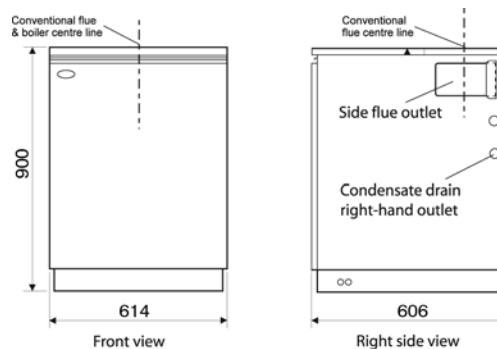
Grant Vortex Pro Combi 26 XS



Grant Vortex Pro Combi Internal 21e and 26e



Grant Vortex Pro Combi Internal 36e



Typical Hot Water Performance

21kW Combi** 15 litres per minute at an average temperature of 50°C. Recovery time 4 minutes approx. Based upon 100 litre draw off.

26kW & 26XS Combi** 17 litres per minute at an average temperature of 50°C. Recovery time 4 minutes approx. Based upon 100 litre draw off.

36kW Combi** 20 litres per minute at an average temperature of 50°C. Recovery time 3 minutes approx. Based upon 100 litre draw off.

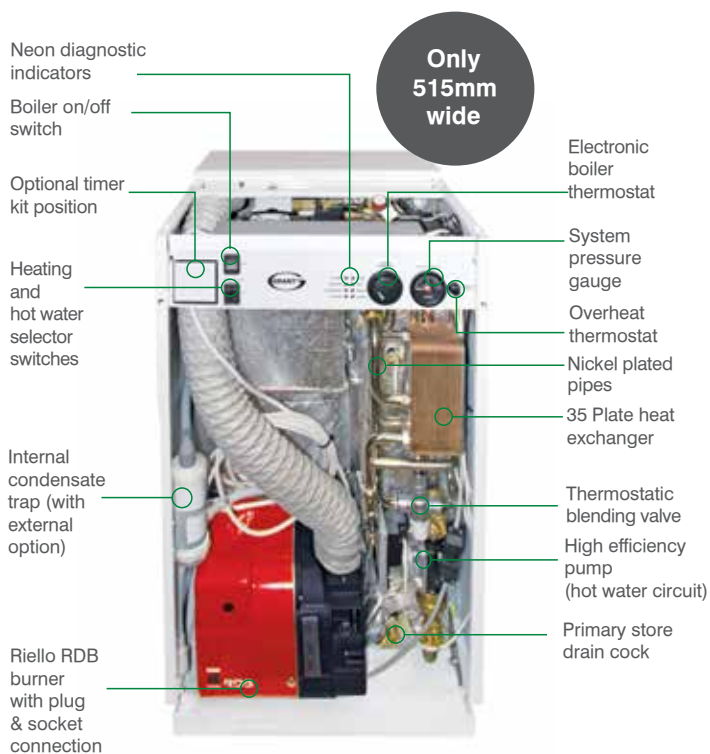
Mains Water Pressure

Minimum: 2.5bar (36psi). Maximum: 8bar (115psi).

** Hot water flow rate is dependent on mains pressure available. Figures based upon an incoming mains water temperature of 10°C.

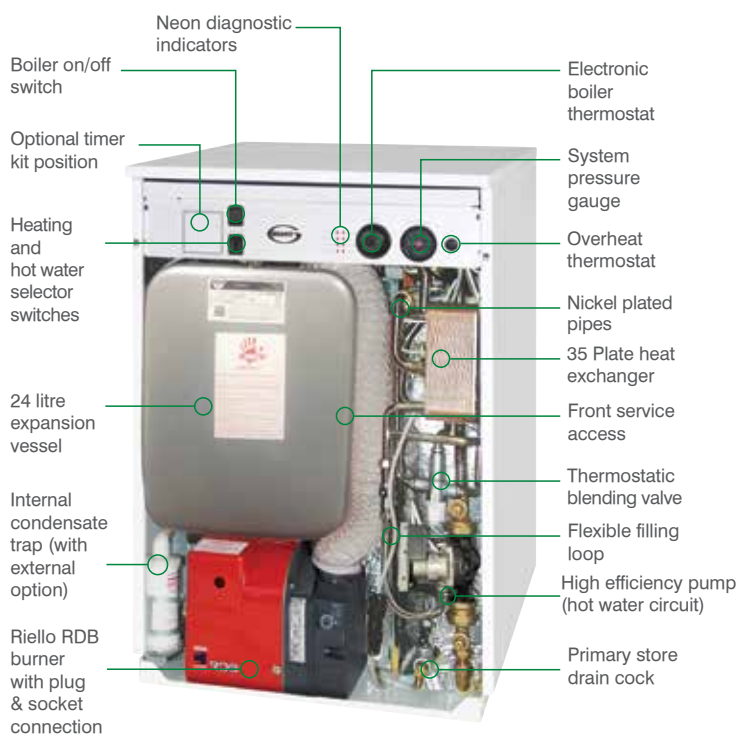
Grant Vortex Pro Combi XS Compact Internal Model

VTXXSCOMBI26



Grant Vortex Pro Combi Internal Models

VTXCOMBI21 / VTXCOMBI26 / VTXCOMBI36



Model shown: VTXCOMBI26 (front view)

Note: 24ltr expansion vessel supplied with boiler to be fitted externally

Technical Specifications - Boiler Connections				
Model	Pro Combi Internal Models			
	26XS	21	26	36
Output kW	26	21	26	36
Output Btu/h	90,000	70,000	90,000	123,000
Flow connection	22mm	22mm	22mm	28mm
Return connection	22mm	22mm	22mm	28mm
Cold water in	15mm	15mm	15mm	22mm
Hot water out	15mm	15mm	15mm	22mm
Pressure relief	15mm	15mm	15mm	15mm
Weight (dry)	165kg	160kg	177kg	200kg
Condensate pipe	21.5mm OD plastic overflow pipe			

Note 1: All boiler connections can be positioned to the left or right of the appliance.
Note 2: Grant Vortex Pro internal and external condensing Combis are suitable for fully pumped systems only.



Grant Vortex Pro External Range

Introduction

The Grant Vortex Pro external module range has some of the highest efficiency outdoor oil-fired boilers available today. The modules feature Grant's original Vortex heat exchanger and are available in four standard outputs ranging between 15kW and 70kW and three combination models in 21kW, 26kW and 36kW versions.

Bespoke Features

All Pro modules enjoy the same unique features as the Eco External modules including the factory fitted multi-directional flue, high quality external powder coated casing, built in frost protection, mains isolating switch and a test switch. However, in addition, the boilers have a higher efficiency level and are factory wired to receive an 'optional' RF (radio frequency) wireless programmer. In this situation, the receiver can be plugged into the control panel of the module, enabling the boiler to be operated using a remote controller from any room inside the house, without the need for hard wiring.

Sealed System Kits

Standard Grant Vortex Pro external modules can be converted to sealed system operation by purchasing a pre-assembled kit from Grant UK. The sealed system kit includes an expansion vessel (size varies), automatic air vent, pressure relief valve and circulating pump. A filling loop and pressure gauge are also supplied as part of the kit. These can be fitted within the module casing, or ideally in a convenient site within the building, located between the cold main and central heating return.

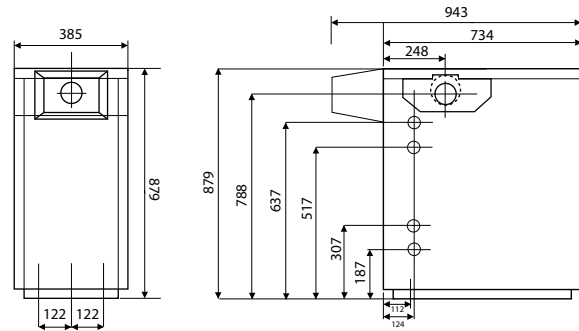
External Combi Modules

With larger than normal heat exchangers, the hot water performance on a Grant Vortex external combi is unbeatable. Featuring two very accurate electronic temperature controls, which allow the boiler to operate in condensing mode on central heating, instant hot water production can be maintained, and thanks to the added safety low system pressure cut off switch, the combi can even protect itself in the unlikely event of system water loss.

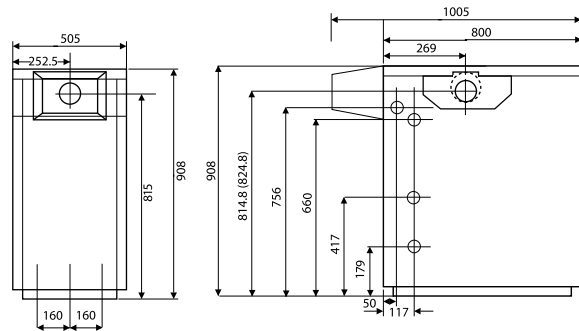


Dimensions (mm)

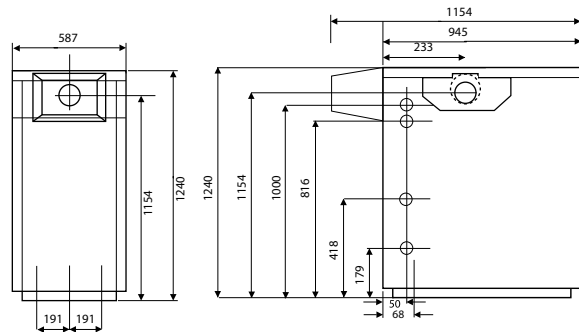
Grant Vortex Pro External 15-21



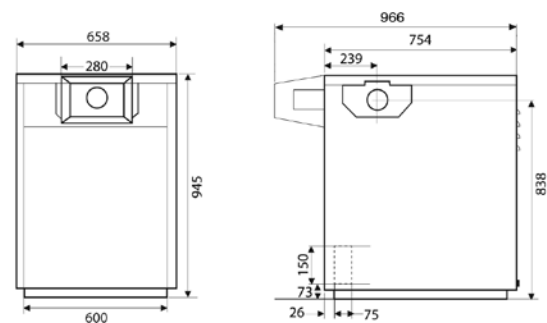
Grant Vortex Pro External 15-26 26-36 36-46



Grant Vortex Pro External 46-58 58-70

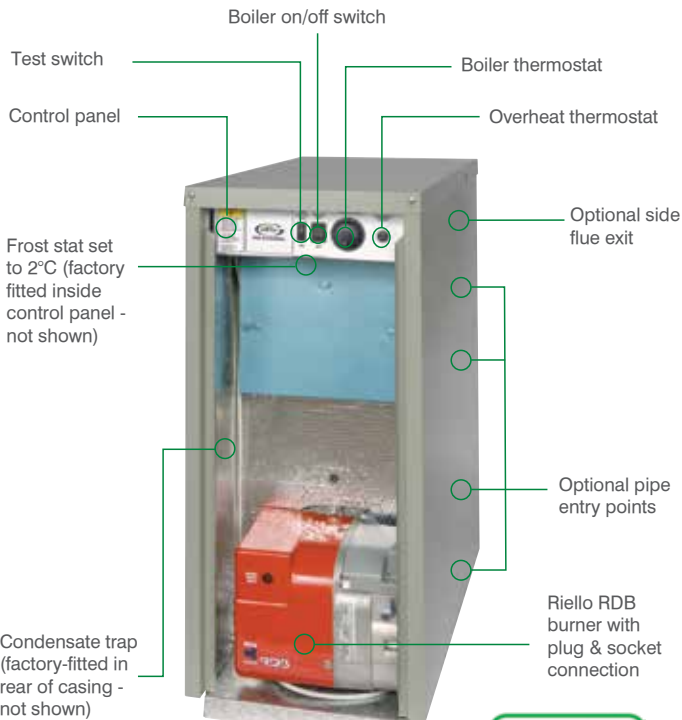


Grant Vortex Pro Combi External 21e, 26e and 36e



Grant Vortex Pro External Modules

VTXOM15/21 / VTXOM15/26 / VTXOM26/36 / VTXOM36/46 / VTXOM46/58 / VTXOM58/70

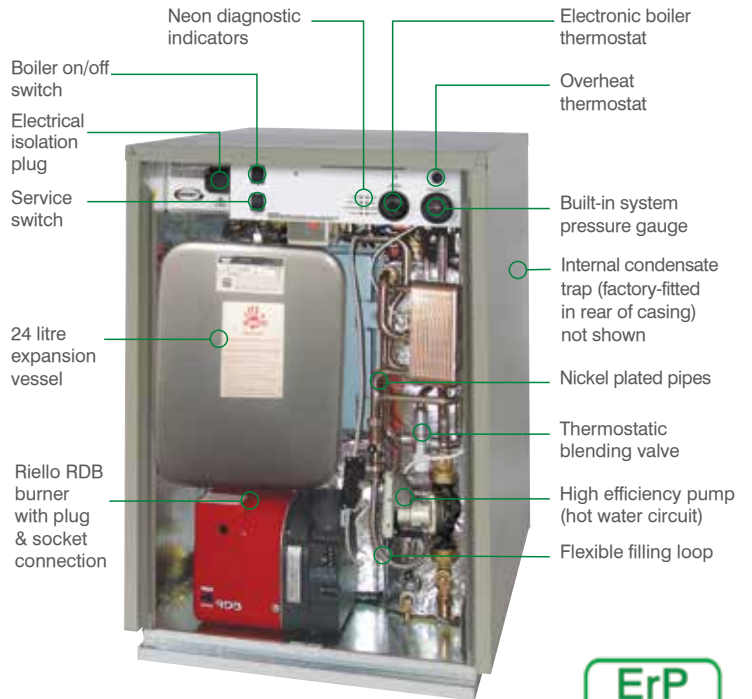


Model shown:
VTXOM15/26 (front view)



Grant Vortex Pro Combi External Modules

VTXOMCOMBI21 / VTXOMCOMBI26 / VTXOMCOMBI36



Model shown:
VTXOMCOMBI26 (front view)



Technical Specifications - Boiler Connections

Model	Pro External Modules						Pro Combi External Modules		
	15-21	15-26	26-36	36-46	46-58	58-70	21	26	36
Output kW	15 to 21	15 to 26	26 to 36	36 to 46	46 to 58	58 to 70	21	26	36
Output Btu/h	50-70,000	50-90,000	90-123,000	123-157,000	157-200,000	200-240,000	70,000	90,000	123,000
Flow connection	22mm	22mm	28mm	28mm	1 1/4" BSP	1 1/4" BSP	22mm	22mm	28mm
Return connection	22mm	22mm	28mm	28mm	1 1/4" BSP	1 1/4" BSP	22mm	22mm	28mm
Cold water in (system kit & combi)	15mm	15mm	15mm	15mm	15mm	15mm	15mm	15mm	22mm
Hot water out (combi)	n/a	n/a	n/a	n/a	n/a	n/a	15mm	15mm	22mm
Pressure relief (system kit & combi)	15mm	15mm	15mm	15mm	15mm	15mm	15mm	15mm	15mm
Weight (dry)	109kg	143kg	162kg	162kg	274kg	288kg	181kg	206kg	225kg
Condensate pipe	21.5mm OD plastic overflow pipe								

Note 1: All boiler connections can be positioned to the left or right of the appliance.
Note 2: Grant Vortex Condensing modules are suitable for fully pumped systems only.
Note 3: For Combi hot water performance, see page 12.



*Combi models only

Grant Vortex Pro Boiler House Range

Introduction

The Grant Vortex Pro Boiler House models come as a blue cased unit with an externally mounted Riello RDB burner and thermostat.

These boilers are ideal for locations that are difficult to access like cellars or plant rooms, where a white cased utility version is not always the best solution.

There are four models available with outputs of 26-36kW, 36-46kW, 46-58kW and 58-70kW. All have high SAP 2009 seasonal efficiencies between 90.7% and 93.3%.

The boilers encompass the same unique stainless steel heat exchangers used in other Vortex boilers together with Grant's exclusive turbulator baffle system, which provides ultra-high efficiency and low running costs.

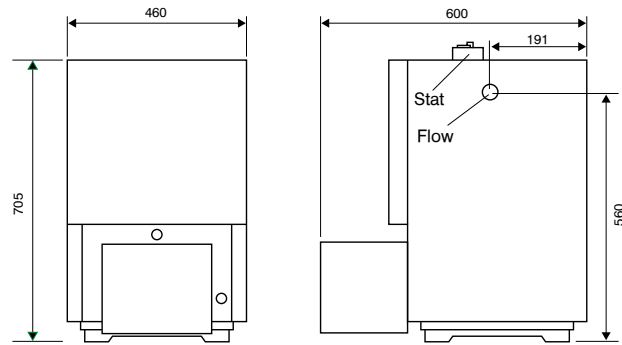
Grant Vortex Pro Boiler House models are compatible with all of Grant's EZ-Fit flue options and are flued in exactly the same way as Kitchen/Utility models.



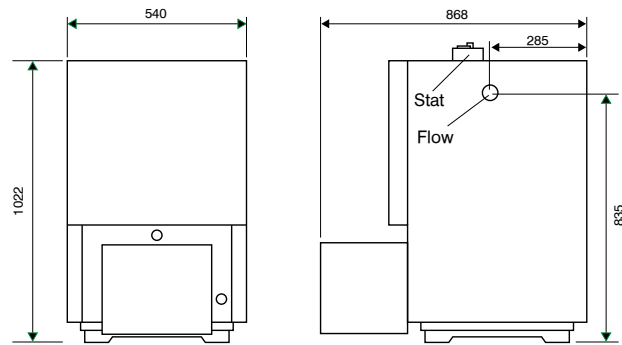
Model shown: Grant Vortex Pro 46-58kW Boiler House model installed in a cellar

Dimensions (mm)

Grant Vortex Pro Boiler House 26-36 and 36-46

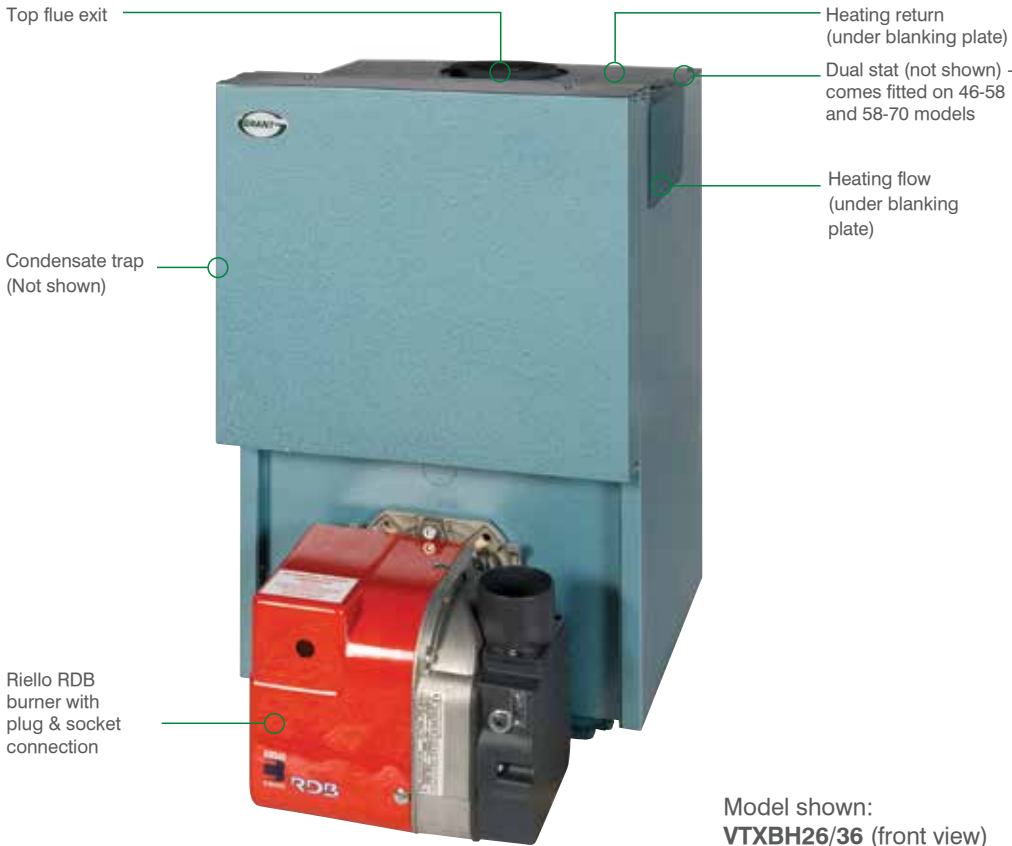


Grant Vortex Pro Boiler House 46-58 and 58-70



Grant Vortex Pro Boiler House Models

VTXBH26/36 / VTXBH36/46 / VTXBH46/58 / VTXBH58/70



Model shown:
VTXBH26/36 (front view)

Technical Specifications - Boiler Connections

Model	Boiler House Models			
	26-36	36-46	46-58	58-70
Output kW	26 to 36	36 to 46	46 to 58	58 to 70
Output Btu/h	90-123,000	123-157,000	157-200,000	200-240,000
Flow connection	28mm	28mm	1 1/4" BSP	1 1/4" BSP
Return connection	28mm	28mm	1 1/4" BSP	1 1/4" BSP
Cold water in (system kit)	n/a	n/a	n/a	n/a
Pressure relief (system kit)	n/a	n/a	n/a	n/a
Weight (dry)	121kg	121kg	222kg	236kg
Condensate pipe	21.5mm OD plastic overflow pipe			

Note 1: The boiler flow and return connections exit the casing on the left or right hand side.
Note 2: Grant Vortex Pro Boiler House boilers are suitable for fully pumped systems only.



*System models only

Timers and Programmers

Controlling Your Central Heating

Controls enable you to set your heating and hot water to turn on/switch off at times that suit you. We have a range of timers and programmers to compliment the Grant Vortex Range.

If you have a conventional boiler with a separate hot water tank, you will require a programmer, as this will allow you to control the times your heating or hot water will switch on independently (twin channel).

For combination boilers, a timer is usually fitted instead, as this controls both the heating and hot water together (single channel). There is, however, an exception to this rule. With the latest Grant Vortex Pro Combi's it is now possible to control the stored water within the boiler, useful for times when you go on holiday. In this instance, you may like too install a programmer such as the Grant EPKIT.

	Model	Descriptions	Compatible Boilers
	MTKIT	24 hour single channel mechanical timer kit (plug-in)	Vortex Pro Combi internal
	ETKIT	7 day single channel electronic timer kit (plug in)	Vortex Pro Combi internal
	EPKIT	7 day twin channel electronic timer kit (plug-in)	Vortex Pro kitchen/utility, Vortex Pro Combi internal (suitable for models manufactured after 1st July 2008)
	ESKIT	7 day twin channel electronic programmer kit (wall mounted)	Vortex Pro kitchen/utility, Vortex Pro external, Vortex Pro Combi internal, Vortex Pro Combi external, Vortex Pro boiler house, Vortex Eco utility, Vortex Eco external, Vortex Eco internal wall hung, Vortex Eco external wall hung
	RSKIT	Programmable room thermostat (wall mounted)	Vortex Pro kitchen/utility, Vortex Pro external, Vortex Pro Combi internal, Vortex Pro Combi external, Vortex Pro boiler house, Vortex Eco utility, Vortex Eco external, Vortex Eco internal wall hung, Vortex Eco external wall hung
	RFTKIT	Wireless twin channel programmable room thermostat	Vortex Pro kitchen/utility, Vortex Pro external, Vortex Pro Combi internal, Vortex Pro Combi external, Vortex Pro boiler house, Vortex Eco utility, Vortex Eco external, Vortex Eco internal wall hung, Vortex Eco external wall hung

General Information

Installation and Commissioning

Installation must comply with the current British Standards and The Building Regulations. Comprehensive technical information can be found in the installation manual, supplied with every boiler.

As with all oil-fired appliances, Grant Vortex condensing boilers require commissioning at the time of installation. This simple process ensures that the boiler is working at peak efficiency which, in turn, will result in lower running costs and long term reliability.

Plumbing

Condensing boilers operate at extremely high efficiency levels, producing cool flue gas temperatures, resulting in a 'plume' of vapour being visible at the flue terminal. This plume (steam) is a normal condition of condensing boiler operation and indicates that the appliance is working efficiently.

Low level balanced, high level, or vertical flue kits are available, which moves the plume to a higher level. Alternatively, it is possible to convert an existing low level balanced flue to an external high level or vertical arrangement using Grant's Plume Diverter.

Guarantees

Grant Engineering (UK) Limited guarantees the manufacture of the boiler including all electrical and mechanical components for a period of **twelve months from the date of installation**, unless the installation was more than six months from the date of purchase, in which case the guarantee period will commence six months from the date of purchase, provided that the boiler has been installed in full accordance with the installation and servicing manual issued.

This will be extended to a total period of **two years** if the boiler is registered with Grant Engineering (UK) Limited **within thirty days of installation** and serviced at twelve monthly intervals. To register your boiler visit: www.grantuk.com

The shell (heat exchanger) of the boiler is also covered by a **five year parts only** guarantee from the date of purchase. This is subject to the following:

- The boiler is operated correctly, in accordance with the installation and servicing manual.
- Proof is provided that the system has been flushed or chemically cleaned where appropriate (refer to BS 7593) and that the required quantity of a suitable corrosion inhibitor added.
- Proof of annual servicing (including the checking of any expansion vessels and pressure relief valves) must be provided if and when requested by the Company.

IMPORTANT

Grant Engineering (UK) Limited **strongly recommends** that an in-line magnetic filter is fitted in the heating system pipe work. This should be installed and regularly serviced in accordance with the filter manufacturer's instructions.

After-sales Service

For peace of mind, all Grant central heating boilers are backed by a national network of independent service engineers. In the unlikely event of a problem occurring, your installer should telephone our Customer Service Department on: +44 (0)1380 736920.

Standard Assessment Procedure (SAP)

SEDBUK was developed by the Government alongside boiler manufacturers, under their 'Energy Efficiency Best Practice Programme'. It was designed as a fair basis for comparisons of boiler energy performance when installed in a typical domestic situation in the UK.

To determine boiler efficiencies, a 'Standard Assessment Procedure' more commonly known as SAP, is used. SAP is the Government's standard method for energy rating. SAP ratings enable the comparison of energy efficiencies and demonstrate the likely effect of improvements to a property in terms of energy use.

Since SEDBUK was introduced in 1999, it has undergone many changes, the most recent being the move from SAP 2005 to SAP 2009. The changes focus on improving the accuracy of the way the efficiencies are worked out.

SAP 2009 incorporates a key revision in the assumed carbon emissions per kWh of oil used by the boiler. It may appear that the efficiencies of boilers have reduced with SAP 2009, but it is important to understand that the new methodology gives a more realistic estimate of the average annual boiler efficiency when installed in typical conditions, based on evidence from recent independent testing and field trials.

All Grant oil boilers listed on the Products Characteristic Database (PCDB), detail the SAP related efficiency values. For more information visit: www.ncm-pcdb.org.uk

Fuel

The burner on all Grant Vortex boilers is supplied factory set at the stated output for use on standard grade kerosene - Class C2.

Grant Vortex condensing boilers manufactured from May 2011 onwards, however, have a bio compatible burner fitted which is also suitable for biokerosene at a 30% blend, known as B30k.

To use B30k fuel, it will be necessary to change the oil feed line and ensure that other components used during installation e.g oil tank, etc. are suitable.

IMPORTANT

Grant Vortex condensing boilers must not be used with Class D gas oil.

Flue Systems

All Grant Vortex oil-fired boilers are supplied for connection to either a 'stainless steel' conventional flue, or one of Grant's EZ-Fit flue options. The flue systems are available as low level, high level or vertical kits, for internal and external applications, and even as unique EZ-Flexi packs, designed to enable condensing boilers to utilise an existing chimney. All our EZ-Fit flues carry the CE mark of approval, are adaptable to any installation, and deliver excellent value for money.

Make Your Heating Even More Environmentally Friendly

Combining a Grant Vortex oil-fired condensing boiler with a renewable technology like Grant Solar Thermal is an excellent way to keep fuel costs down and ensure your household is as energy efficient as possible. Solar Thermal collectors are easy to install, and when combined with a traditional heating system, could provide up to 70% of your hot water needs, reducing your fuel costs and protecting the environment too.



Grant Engineering (UK) Ltd
Hopton House, Hopton Industrial Estate,
Devizes, Wiltshire, SN10 2EU

t: +44 (0)1380 736920 **f:** +44 (0)1380 736991
e: sales@grantuk.com **w:** www.grantuk.com



Grant Vortex Mag-One Magnetic Filter

The Mag-One (Part code: VM01) provides innovative protection for your Grant Vortex oil-fired boiler and central heating system up to 36kW.

Using a simple to install, triple action filtration design, the Mag-One filters magnetite and non-ferrous debris from central heating systems with a 12000 gauss neodymium magnet.

Features

- Easy clean, easy drain design
- Installation/servicing date wheel
- Full bore flat face 28mm isolation valves
- 120°C max working temperature
- Manual air bleed
- 500ml dosing capacity
- 360° installation
- Complete with 28-22mm reducers
- 6 bar max working pressure
- Supplied with spare sealing washers & o-rings
- Un-blockable – even if the filter isn't serviced
- Heavy duty filter for non-ferrous material
- Hose adaptor for remote draining
- Compatible with all system inhibitors and glycol solutions
- Suitable for all heating systems up to 36kW (larger systems use two in a parallel circuit)



This leaflet is accurate at the time of printing but as Grant UK has a policy of continual improvement it may be superseded. We reserve the right to amend specifications without prior notice. The statutory rights of the consumer are not affected.

All products manufactured under I.S. EN ISO 9001. Grant UK additionally holds ISO 14001 accreditation.

™THE GRANT 'EZ-FIT FLUE' SYSTEM is a trade mark of Grant Engineering Limited.

©Grant Aeron, Grant Spira, Grant Vecta, Grant Vortex, Grant Solar, Grant Aurora, Grant Sahara, Grant CombiSOL, Grant WinterSOL, Grant MonoWave, Grant DuoWave, Grant ThermaWave, Euroflame and Multi Pass are registered trade marks of Grant Engineering Limited. The contents of this leaflet are fully protected by copyright and nothing may be reproduced without permission from Grant UK.

