

MEXICO HE.

15 18 24 30 36

HIGH EFFICIENCY OPEN VENT BOILERS



MEXICO HE

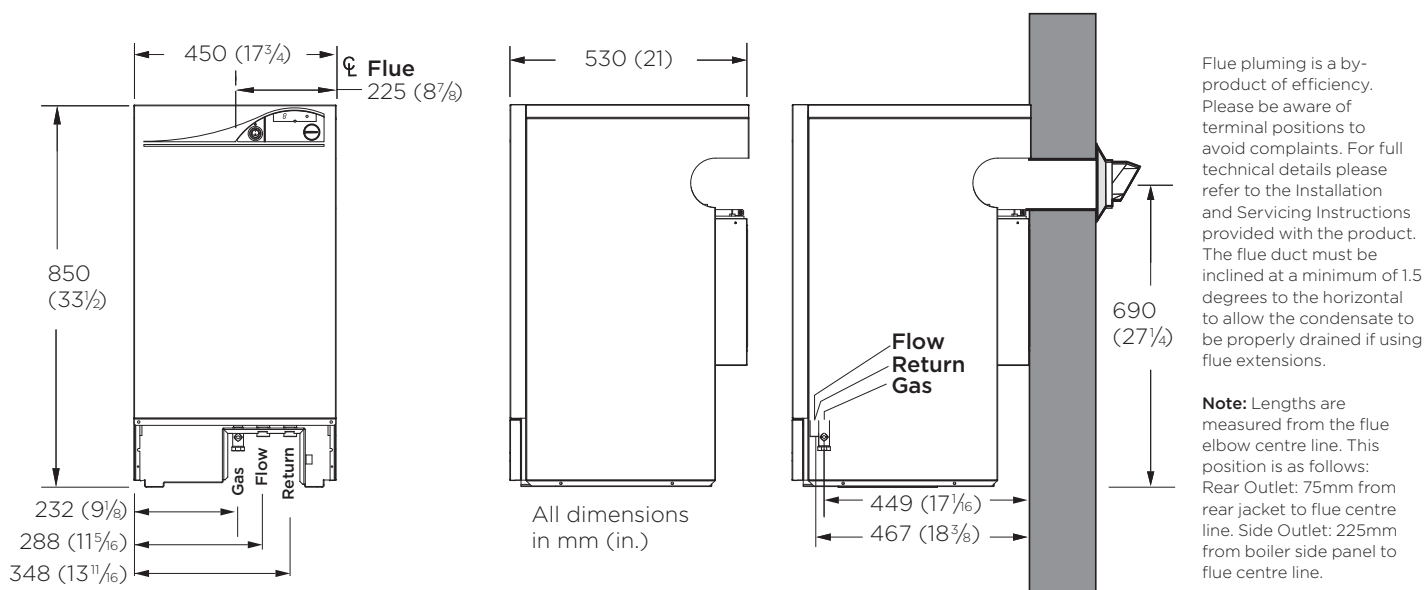
Promising years of seamless performance and superb efficiency, our comprehensive range of open vent boilers are ideal if you need a direct floor standing boiler replacement or a larger output.

Our SEDBUK band 'A' rated appliances, offer the benefits of a compact design and flexible siting, plus the peace of mind that comes with minimal maintenance and low running costs.

- SEDBUK band 'A' fuel efficiency rating to lower emissions and reduce heating bills
- 2 year parts and labour warranty to ensure complete peace of mind
- Compact floor-standing design ideal for replacement situations
- User friendly status display featuring temperature control and diagnostics for rapid servicing, plus optional remote user kit
- ErP compliant



CLEARANCES & DIMENSIONS.



TECHNICAL SPECIFICATIONS.

	MEX 15	MEX 18	MEX 24	MEX 30	MEX 36
Height mm			850		
Width mm			450		
Depth mm			530		
Weight (packaged) kg	55.4	55.4	55.4	69	69
Max installation weight kg	52	52	52	68	68
CH output (kW) min/max @ 70°C	8.8 - 14.6	8.8 - 18.2	8.8 - 23.4	10.6 - 30.1	10.6 - 37.0
CH output (kW) min/max @ 40°C	9.6 - 15.5	9.6 - 19.2	9.6 - 25.1	11.4 - 32.8	11.4 - 39.8
DHW output (kW) max			n/a		
DHW flow rate l/min. 35°C rise			n/a		
SEDBUK rating (2005) %	90.4	90.3	90.2	90.4	90.7
NOx classification			CLASS 5		
Adjustable to LPG	No	No	No	No	No
Max horizontal		6m		3m	
Max vertical		7.5m		5m	
Powered vertical			No		
Condensing boiler	Yes	Yes	Yes	Yes	Yes
Low temperature boiler	No	No	No	No	No
B1 boiler	No	No	No	No	No
Equipped with a supplementary heater	No	No	No	No	No
Cogeneration space heater	No	No	No	No	No
Combination heater	No	No	No	No	No
Nominal heat output for space heating					
Full load P _d kW	15	18	24	30	36
Part load P _i kW	4.9	5.9	7.8	9.7	11.7
Auxiliary electricity consumption					
Full load e _{lmax} kW	0.038	0.038	0.038	0.042	0.042
Part load e _{lmin} kW	0.024	0.024	0.024	0.028	0.028
Standby P _{SB} kW	0.01	0.01	0.01	0.01	0.01
Seasonal space heating energy efficiency					
Full load η ₄ %	88.5	88.2	87.9	88.4	89
Part load η ₁ %	99	98.5	97.1	97.2	97.3
Standby loss P _{stby} kW	0.055	0.055	0.055	0.055	0.055
Ignition P _{ign} kW	0	0	0	0	0
Emissions NOx mg/kWh	16	13	19	20	25
Annual Energy consumption Q _{HE} GJ	46.0	56.0	75.0	94.0	113.0
Sound power level, indoors L _{WA} dB	40	41	42	45	45

Multiple Flue Kits Available

Note: Each 90° elbow used is at the expense of 1500mm of straight flue run, and each 45° elbow is used at the expense of 1000mm of straight flue run. The Flue Deflector Kit is used at the expense of 1000mm of straight flue run.