



The ultimate range of value for money water heaters

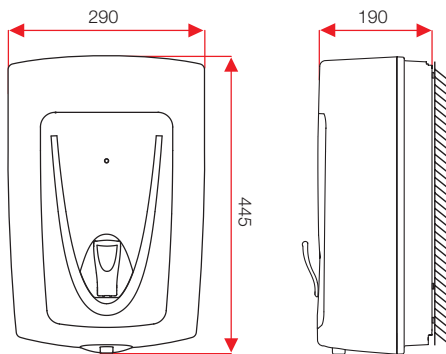
Commercial Water Heating Range



EBW25 Boiling Water Dispenser



- 2.5 litre capacity
- 2.5kW rating
- 14 cups (167ml) at one time
- Instant boiling water for drinks and snacks
- Modern design
- Quick and easy installation
- Manufactured in the UK



Model **EBW25**
 Product code **93:200:001**

Specification

Element
 Rating: 2.5kW @ 240V.

Safety Features
 Low pressure vented, dry start protection, boil dry protection, IPX2 rated.

Colour / finish
 White ABS moulding.

Guarantee
 2 years with on-site service support.

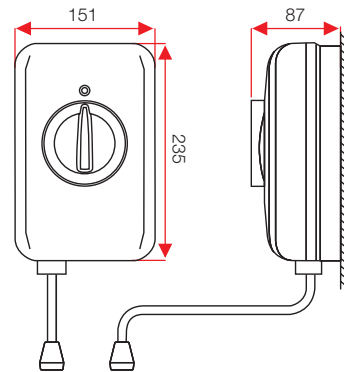
Approvals
 BEAB approved, CE Marked. Manufactured in the UK in a BS EN ISO 9001:2008, ISO 14001:2004 & BS OHSAS 18001:2007 registered factory.



EHW3 Handwash



- 3kW rating
- Instantaneous handwash
- Energy efficient
- 'Power on' indicator
- Stainless steel swivel spout
- Modern design
- Quick and easy installation



Model **EHW3**
 Product code **93:020:001**

Specification

Element
 Rating: 2.5kW @ 240V.

Safety Features
 Pre-set safety cut-out, pressure relief device, temperature stabiliser.

Colour / finish
 White moulded high impact polystyrene plastic.

Guarantee
 2 years with on-site service support.

Approvals
 Kiwa approved, CE Marked.



EOS7

Vented Point of Use



7 litre capacity

3kW rating

Energy efficient

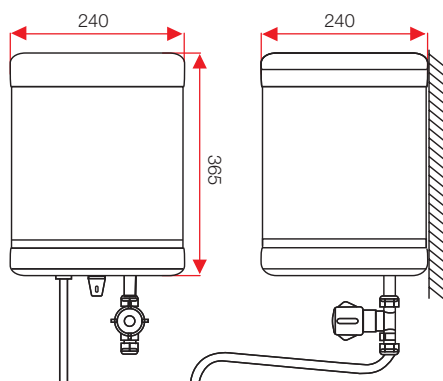
'Power on' indicator

Stainless steel swivel spout

Modern design

Quick and easy installation

Manufactured in the UK



Model

EOS7

Product code

93:010:001

Specification

Element

Rating: 3kW @ 240V.

Safety Features

Safety cut-out, IPX4 rated.

Colour / finish

Body – White stoved enamel. End covers – Grey ABS.

Guarantee

2 years with on-site service support.

Approvals

BEAB and Kiwa approved, CE Marked. Manufactured in the UK in a BS EN ISO 9001:2008, ISO 14001:2004 & BS OHSAS 18001:2007 registered factory.



EUV10 / EUV15

Unvented Water Heater



10 and 15 litre versions available

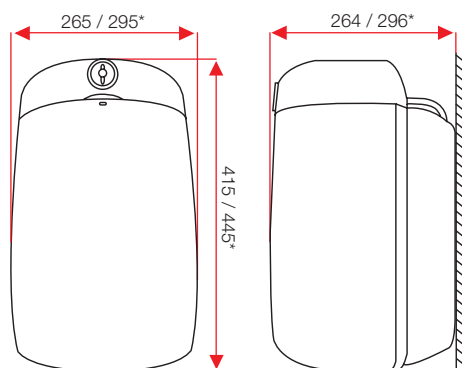
2kW heating element

Expansion relief valve supplied as standard

'Power on' indicator

Modern design

Quick and easy installation



Model

EUV10

EUV15*

Product code

93:050:021

93:050:022

Specification

Element

Rating: 2kW @ 240V.

Safety Features

92°C over temperature cut-out, adjustable capillary thermostat 12°C - 72°C
– Factory set to 45°C.

Colour / finish

White moulded polypropylene.

Guarantee

1 year parts only.

Approvals

Nemko approved, CE Marked.



heateam



heateam is Elson's very own service division. With us on your side, you can be sure that your customers are in the very best hands. Totally committed to quality and safety, heateam is open 7 days a week, for 363 days a year, and offers:

- **Dedicated Trade Advice Line**

Our helpful and qualified specialists are always on hand to help you with even the most complex technical query.

- **Installer Priority Call-Outs**

Our 280 strong team of specifically trained expert heating engineers covers the UK, no one is better qualified to look after Elson's products for the duration of the guarantee.

- **Fully Stocked Vans**

A nationwide fleet of vans, fully stocked with spare parts – meaning we can repair our appliances on the first visit in 95% of call-outs.

- **Exclusive Service Plans**

heateam also offer Elson's customers a range of exclusive annual service plans.

Opening Times: Monday-Friday 8am-6pm, weekends and Bank Holidays* 8.30am-2pm.

Simply call **0844 871 1535** or visit our website at www.elsonhotwater.co.uk

*Excluding Christmas Day and New Year's Day.



Fifers Lane, Norwich, Norfolk NR6 6XB
T: 0844 335 8819
F: 0844 871 1528
E: info@elsonhotwater.co.uk
W: www.elsonhotwater.co.uk

PART OF **HEATRAESADIA**



This product is printed on paper sourced from well managed forests and other controlled sources. This product is printed using vegetable based inks. Please recycle this product when you have finished with it.