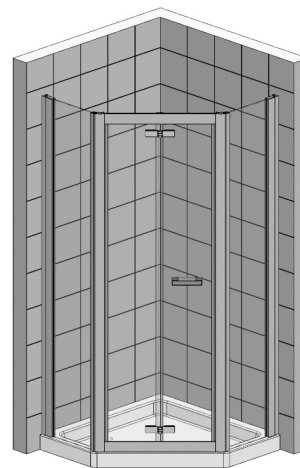


Neo-Angled Panels

Instruction Manual

EP



Door image - example only

Consumer Guarantee - Please make sure the purchaser/end user completes and returns the Guarantee card which is enclosed with this product. Failure to validate the Guarantee will mean only the 1 Year Statutory Guarantee will apply.

IMPORTANT PRE-INSTALLATION CHECKS

Some Important Information to read before you install your Product.

1. Check you have the correct enclosure and tray. Please look at the labels on the side of the product packaging.
2. Check all the product components are in the box and the fixing kits are complete. Please check this with the component checklist below.
3. Un Pack your product and handle it with care.
4. Please check the product for defects or damage. Once the installation has commenced Roman Ltd cannot accept responsibility for any defects or damage to the products.
5. Please take the time to read these instructions prior to installing your product.
6. Before you commence any drilling check there are no hidden electrical cables and/or water pipes in the walls.
7. No attempt should be made to re-work the toughened safety glass.
8. It is recommended that two persons should install the installation.
9. It is strongly recommended that the walls the product is going to be installed on are vertical.
10. However the wall profiles have 17mm of adjustment to help compensate for some deviation.
11. It is strongly recommended the product be fitted on tiled surface or similar waterproof surface.
12. It is strongly recommended the walls are tiled and grouted after the installation of the tray and before the installation of the product. This will provide maximum adjustment and help when sealing the product.
13. If the walls and/or the tray are not level you will not achieve maximum adjustment of the product.
14. Pictures used are for illustration purposes only; product designs may alter slightly as a result of continuing product development.
15. We do not stipulate where the European Standard Kite Mark should be positioned on the glass panels when being factory assembled.

IMPORTANT INFORMATION

- Roman's toughened glass is completely safe for use in our shower enclosures and bath screens; providing our products are installed according to our guidelines.
- It is important to note, that the glass must not be mounted or 'pinched' in such a way that would cause a stress point to develop in the glass. In addition, it must not be subjected to any sharp impact or severe temperature fluctuation which may also cause a stress point to develop in the glass.
- Roman's toughened glass is physically and thermally significantly stronger than standard glass. During our toughening process the stresses contained within any glass are balanced so if in the unlikely situation any of the above occurs and the glass breaks, the glass will shatter safely into small thumbnail sized blunt fragments.

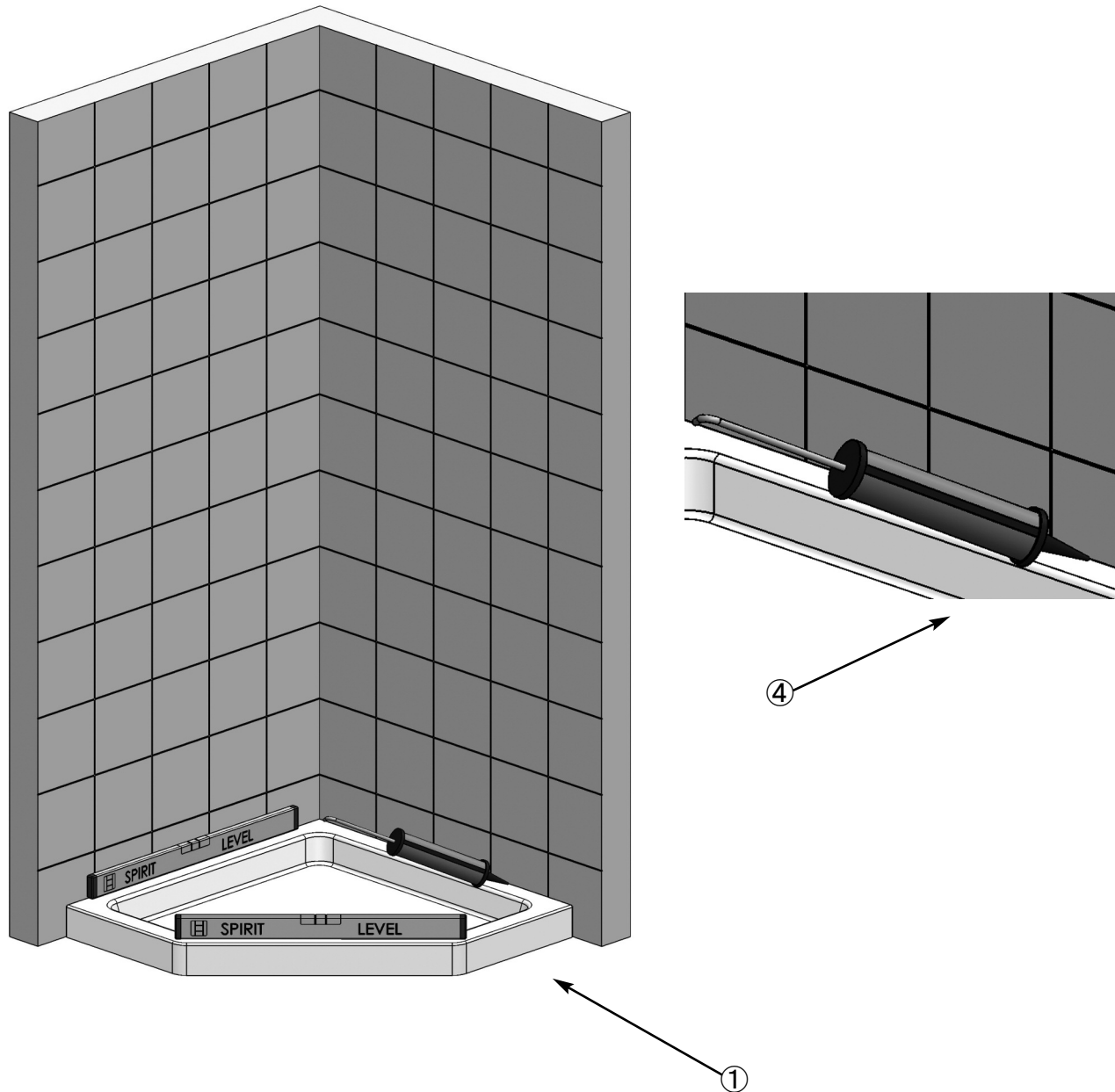
Component Check List: Supplied

Description	Quantity
Cover Cap	2
Screw Cover Trims	2
Neo Panels	2
No.4 x 1/4" pan head screws	6
2.5mm drill bit	1

Equipment Check List: Not Supplied

Description
Mains or battery Drill
6mm Masonary Drill
Spirit Level
Pozi Screwdriver
Sealant Gun
Bathroom Sealant
Tape Measure
Pencil

Step 1 - Checking and Sealing the Tray

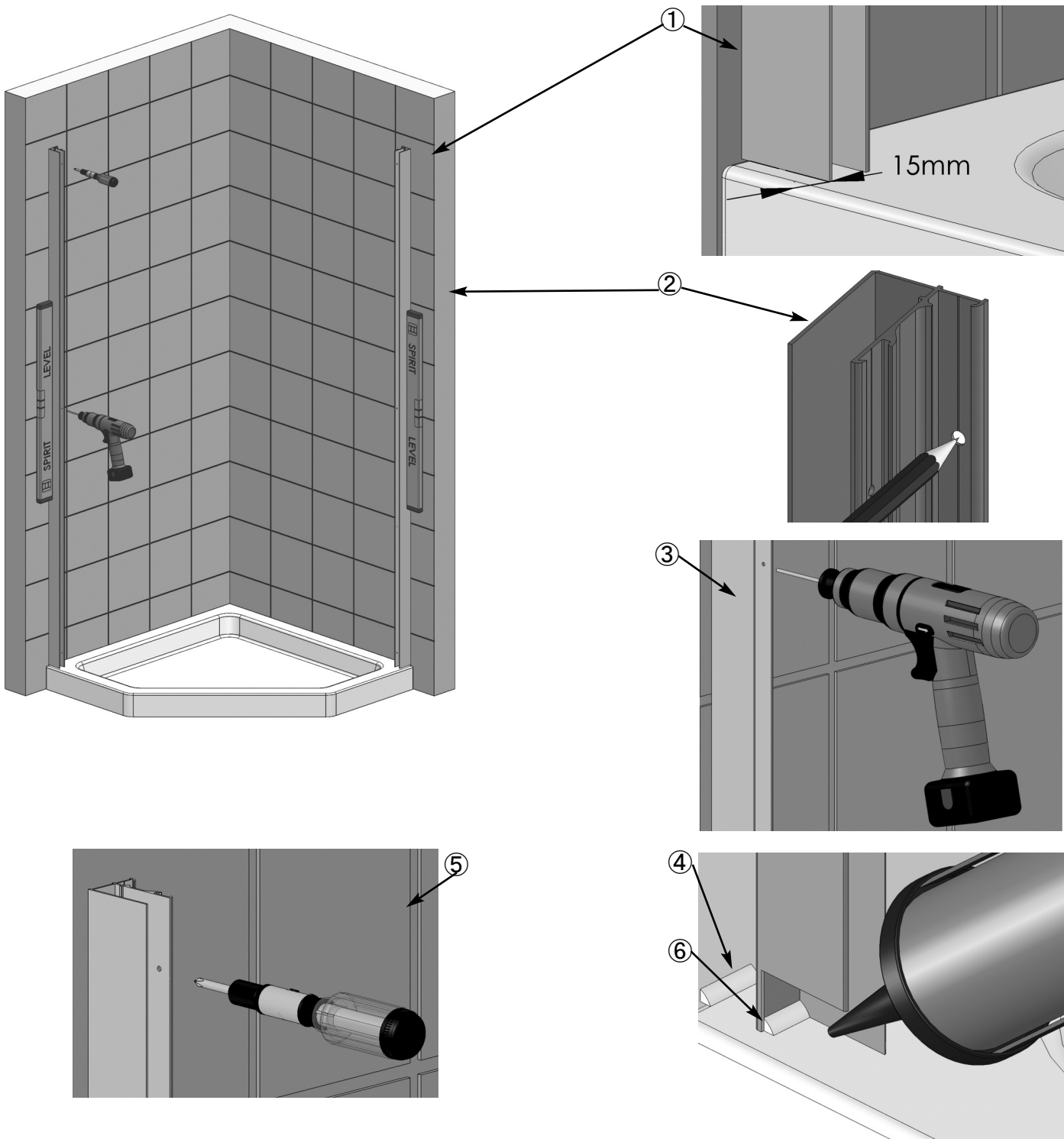


1. Check the tray is level, on all sides (the bubble should be in the centre of the two lines on the spirit level).
2. Stand in the tray and check for no adverse movement.
3. The walls should be tiled and grouted up to the tray.
4. The tiles and the tray should be sealed, using a good quality bathroom sealant.

- **Spray the seal and joints with the showerhead and check for leaks when the silicon has cured.**
- **Check the plumbing for leaks.**
- **Do not plasterboard over the tray.**
- **Do not grout the tiles when the enclosure has been fitted as the grout may discolour the aluminium profiles.**
- **Make sure the tray is installed as per manufacturer's instructions.**
- **When all of the above has been completed please proceed to Step 2.**

Step 2 - Wall Profile Fitting

Note: The wall profiles used for this assembly are taken from the door.

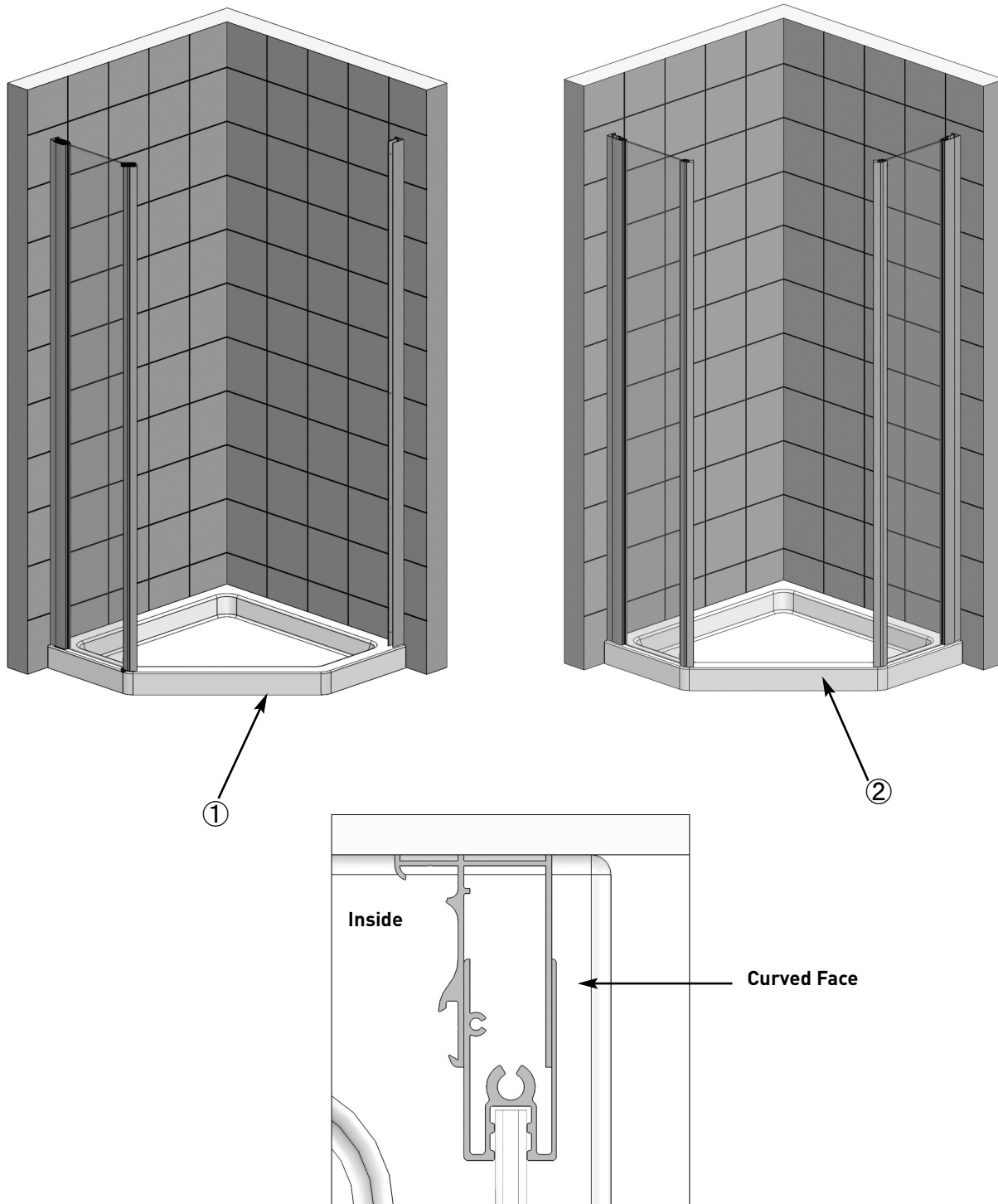


1. Position a wall profile 15mm in from the front of the tray. Make sure the wall profile is vertical using a spirit level.
2. Using a pencil mark the locations for the drill holes through the lip of the wall profile, follow the same procedure for the 2nd wall profile.
3. Drill the holes using 6mm masonry drill bit (not supplied). Push the wall plugs (supplied) into the drilled holes.
4. Apply a bead of silicon the width of the wall profiles at the bottom where they meet the tiled wall.
5. Screw fix the wall profiles to the wall using the 40mm screws (supplied) ensuring they are vertical.
6. Apply a bead of sealant to the inside of the wall profiles at the bottom where they meet the tray top.

IMPORTANT: The wall profiles must be completely vertical (the bubble should be in the centre of the two lines on the spirit level). The sealant must be applied in steps 3 and 5; failure to follow out this procedure may result in serious water damage and is not covered under the terms of the guarantee.

Step 3 - Placing Panels

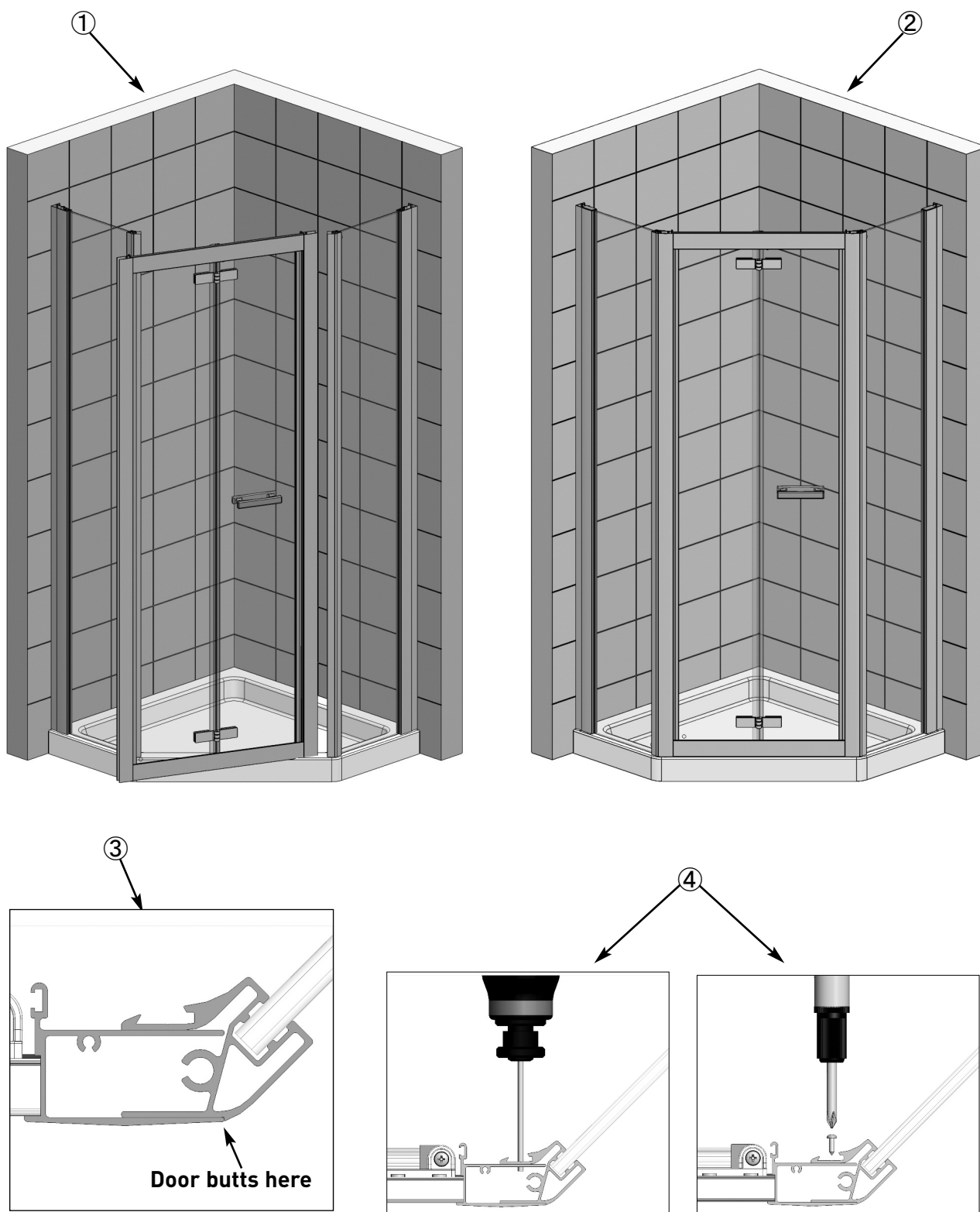
Note: Before proceeding with the panel installation remove the black transit caps and discard.



1. Position the first panel fully into a wall profile (Do not fix at this stage)
2. Position the second panel fully into the remaining wall profile (Do not fix at this stage)

NOTE: The panels fit into the wall profiles (with the curved part being on the outside of the wall profile). Prior to starting have the door handle fitted it will help when fitting. Please refer to the instructions for the door on fitting the handle.

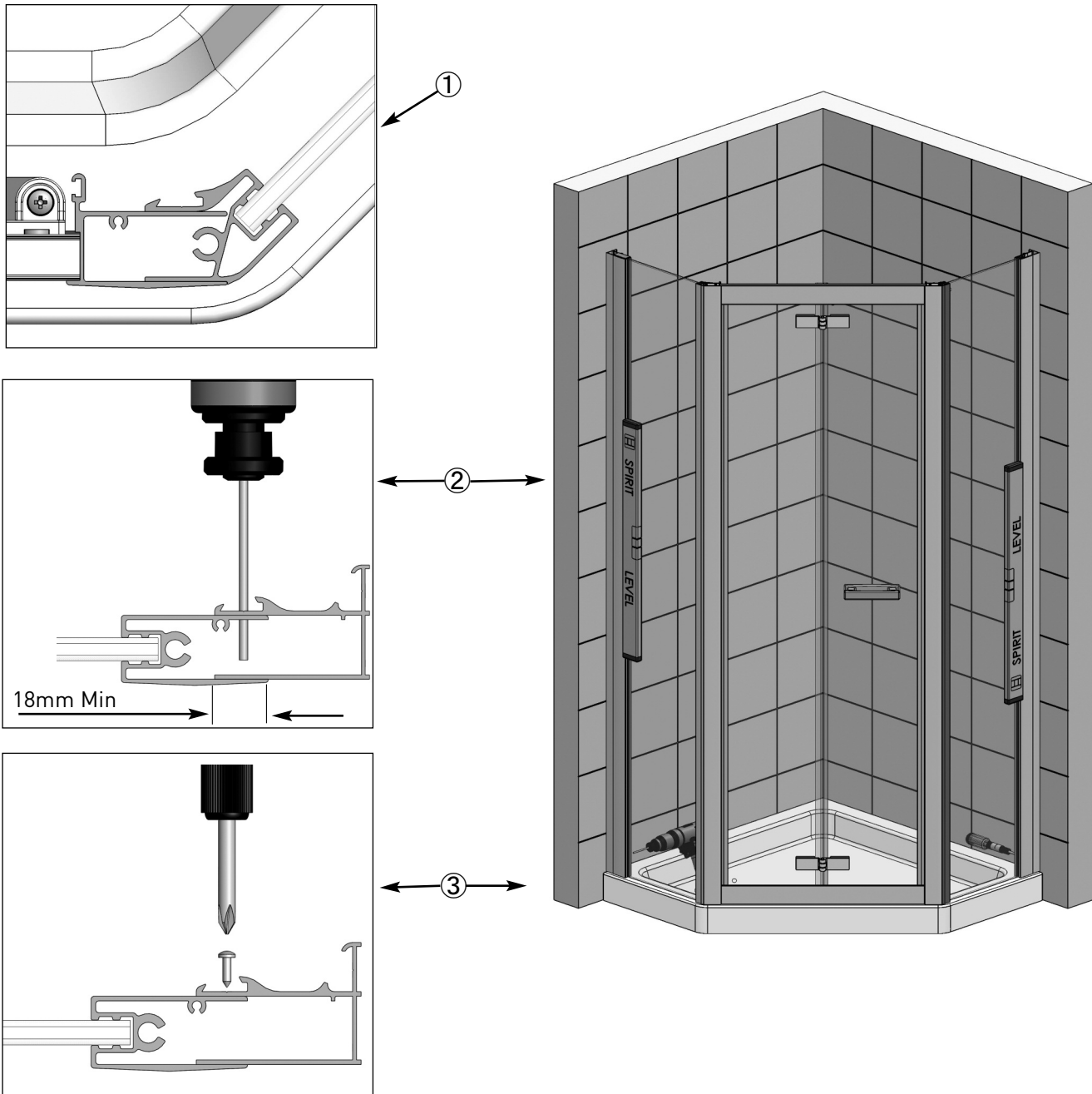
Step 4 - Fitting the Door



1. Place one side of the door into one of the side panels taking care to have the curved face of the frame on the outside.
2. Place the other side of the door into the other panel, again having the curved face on the outside - 2 persons can do this.
3. Position one side of the door up to the panel so that it butts up to the stepped feature, make sure that the door and panel are level top and bottom and that there are no gaps vertically between the butt joint.
4. Drill using the 2.5mm drill (supplied) and secure using the No4 x 1/4" screws (supplied).
5. Repeat the same process for fixing the other side of the door to the panel.

Step 5 - Fixing Panels to the Wall Profiles

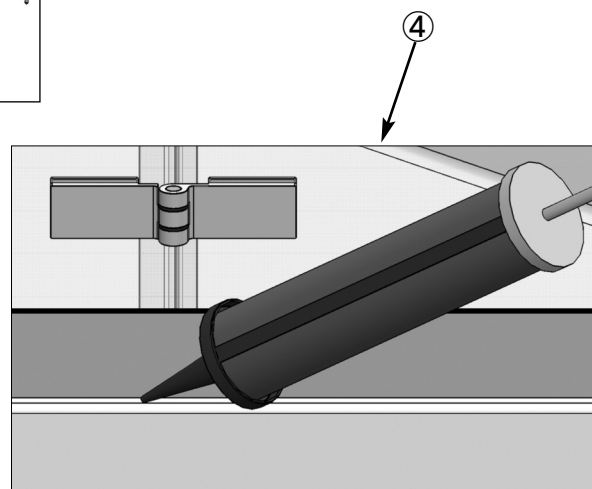
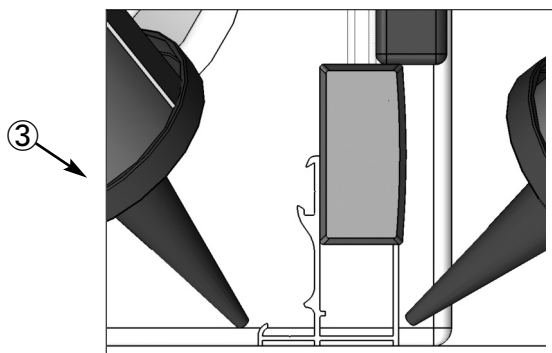
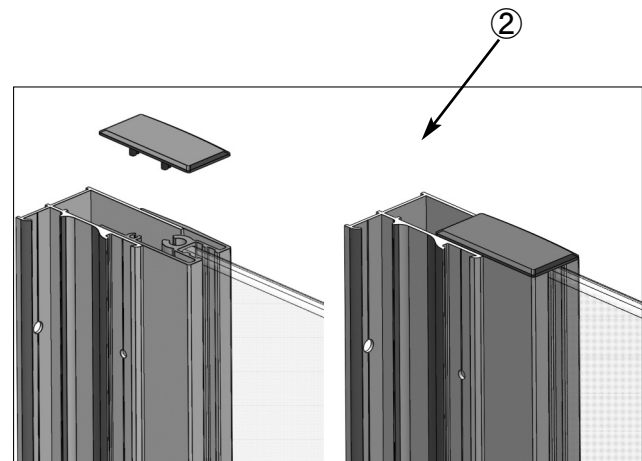
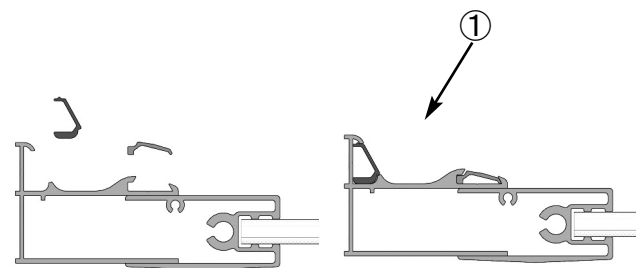
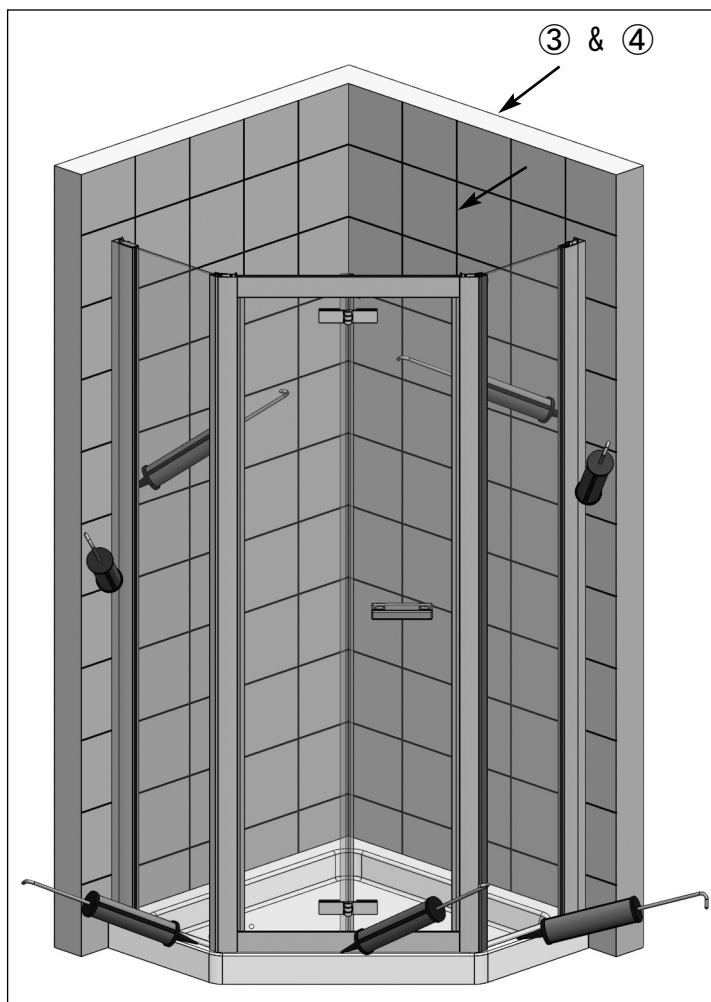
Note: A minimum of 18mm is required between the panel/door and wall profiles for fixing.



1. Position the panels and door so that the corners are in line with the corners of the tray, the door and panels should also be parallel to the tray.
2. On both panels drill the bottom holes only first and fix them using a No4 x 1/4" screw (supplied), this is to keep the products central - 2 persons can do this.
3. On the panel that the door is not pivoting from place a spirit level on it and keep it vertical and drill the top hole and fix using the No4 x 1/4" screw (supplied), then drill and fix the middle hole - 2 persons can do this.
4. Follow the same procedure for fixing the panel that the door is pivoting from.

(It may be beneficial to apply some pressure to the door and panel assembly and check the door operation prior to final fixing.)

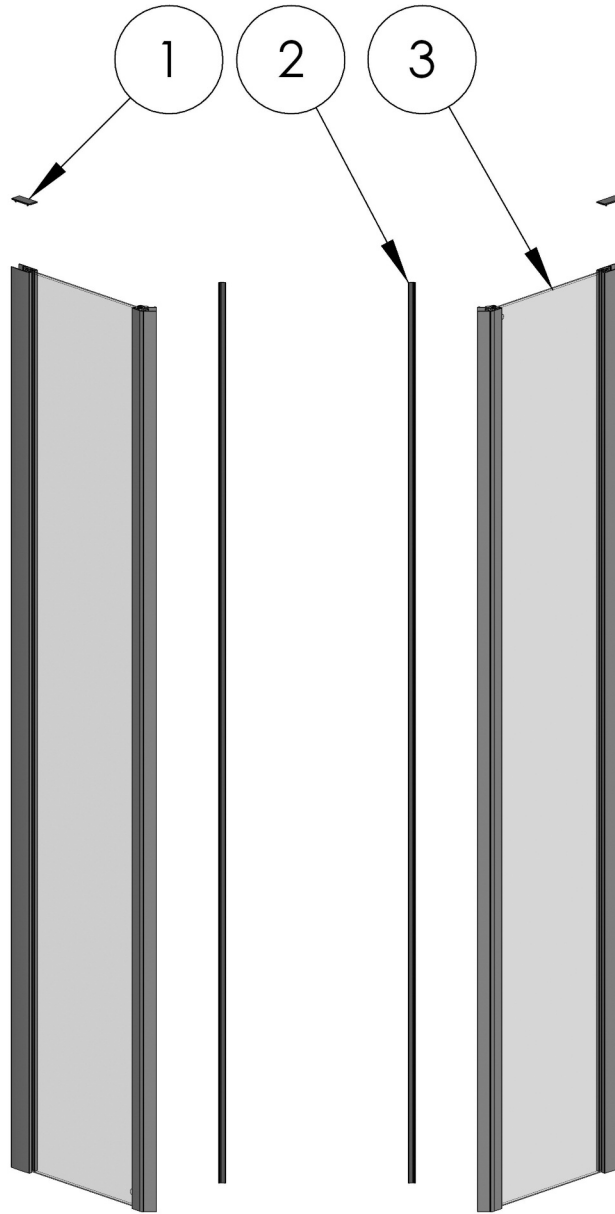
Step 6 - Fitting Trims and Sealing



1. Fit the screw cover trims (If you have room these can be slid down from the top.
 - **Cut the cover trims flush with the top of the wall profile using a stanley knife or an alternative blade, please take care when cutting.**
2. Fit the top caps to the top of the door/panels.
3. Using a good quality sealant seal both sides of the wall profile inside and outside vertically where they meet the tiled wall.
4. Seal the enclosure horizontally the full length to the wetroom floor/tray from the outside only
 - **VERY IMPORTANT: Failure to follow the procedure in lines 3 – 4 may result in serious water damage and will not be covered under the terms of the guarantee.**
 - **Do not seal along the base of the bifold door from the inside, failure to comply may result in the bifold door leaking.**
 - **Please allow 24 hours for the bathroom sealant to fully cure prior to using the enclosure.**
5. Stick on the branding badge.

SPARE PARTS:

If you need to replace any damaged parts please see illustration below for parts list then call Customer Relations on 01325 328033/328034



No.	Description	Quantity
1	Cover Cap	2
2	Screw Cover Trims	2
3	Neo Panels	2

Should you experience any problems during installation please refer to the Trouble Shooting Guide or contact Customer Relations on:

+44 (0) 1325 328033/328034

To enable customer relations to provide you with an excellent level of service it is important that you quote your Product Code and Reference Number - these numbers can be found on the guarantee card.

TROUBLE SHOOTING GUIDE.

Problem

Solution

Leaking:

1. Check the Tray has been sealed correctly prior to installation of the enclosure. (Step 1)
2. Check the inside gap has been sealed correctly between the tray and wall profiles. (Step 2)
3. Check that the base of the enclosure is sealed to the tray top from the outside only. (Step 6)
4. Check to see if both wall profiles have been sealed vertically inside and outside where they meet the tiled wall. (Step 6)
5. Check that the base of the enclosure hasn't been sealed to the tray top on the inside of the cubicle. (Step 6)

Important: This enclosure should be water tested conforming to BS EN 14428

Enclosure Alignment:

1. Check that the enclosure has been fitted onto a tiled wall or a similar sealed surface. (Step 1)
2. Check that the wall profiles have been fitted 15mm in from the front outside edge of the tray. (Step 2)
3. Check that the wall profiles have been fitted completely vertical (the bubble must be in the centre of the two lines on a spirit level). (Step 2)
4. Check that the enclosure is completely vertical and level. (Step 5)

Door not Operating Smoothly:

1. Check that the tray is completely level (the bubble must be in the centre of the two lines on a spirit level). (Step 1)
2. Check that the wall profiles are completely vertical (the bubble must be in the centre of the two lines on a spirit level). (Step 2 & 5)

Some important information to help you Maintain your product.

The following information is all you need to keep your product looking new.

Clean your product using a mild detergent diluted in water and then polished off using a soft cloth.

If you live in a hard water area, periodically clean your product using a 50/50 solution of white vinegar and water. The solution should be left on the enclosure for approximately 5 minutes then rinsed off using warm water. This method of cleaning should remove lime scale residue.

Simple maintenance.

Our products are generally maintenance free, however it may be necessary to lubricate wheel assemblies and other moving parts from time to time.

It is strongly recommended that a quality silicone spray is used.

A list of Don'ts:

- 1 - Don't use acidic based products which are unsuitable for cleaning enamel surfaces.
- 2 - Don't use Abrasive cleaners or cleaners containing bleach or solvents, these products will adversely affect the finish of the aluminium profiles.
- 3 - Don't use scouring pads, powder or any sharp instruments when cleaning the enclosure.