

Drawing Title  
**MONACO DOC M LANTAC CERTIFICATION LAYOUT**

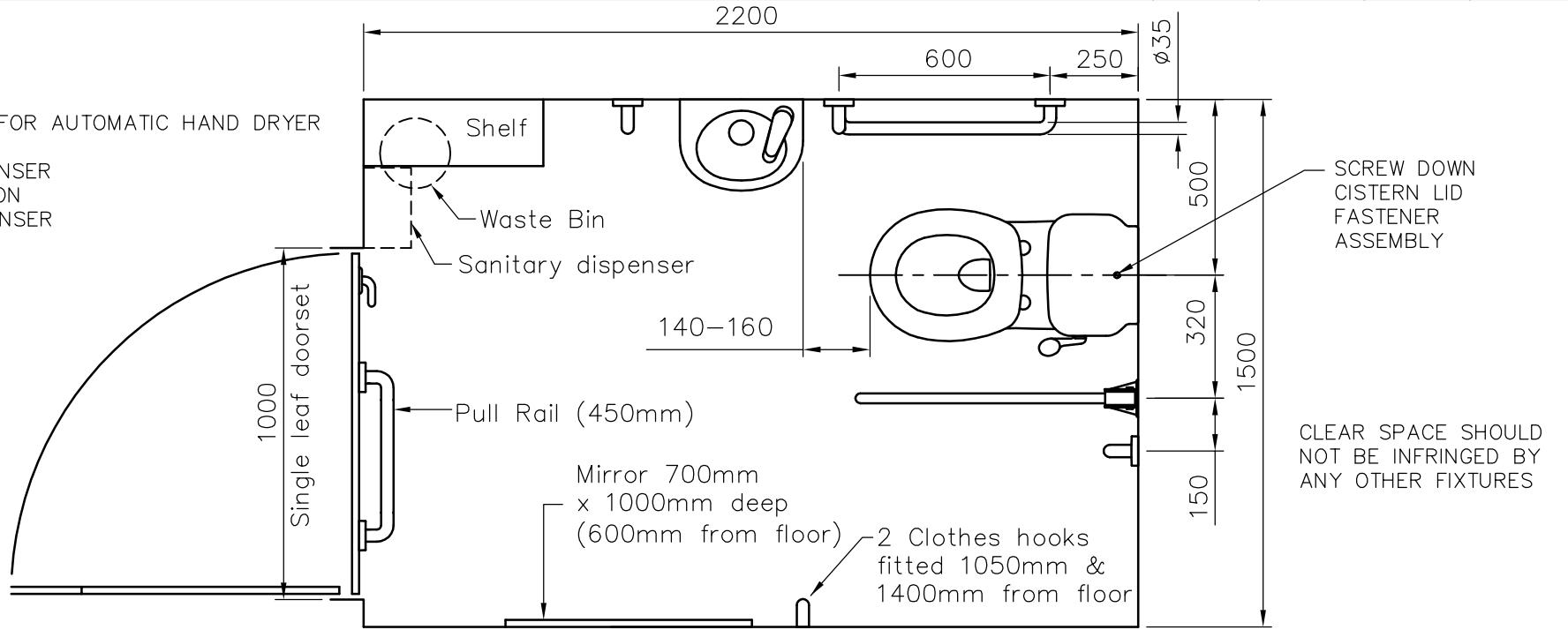
Drawing Number  
**W10197/1**

Project no.	Drawn	Date	Scale	Sheets
BS		13.1.11	1:20	1 of 1

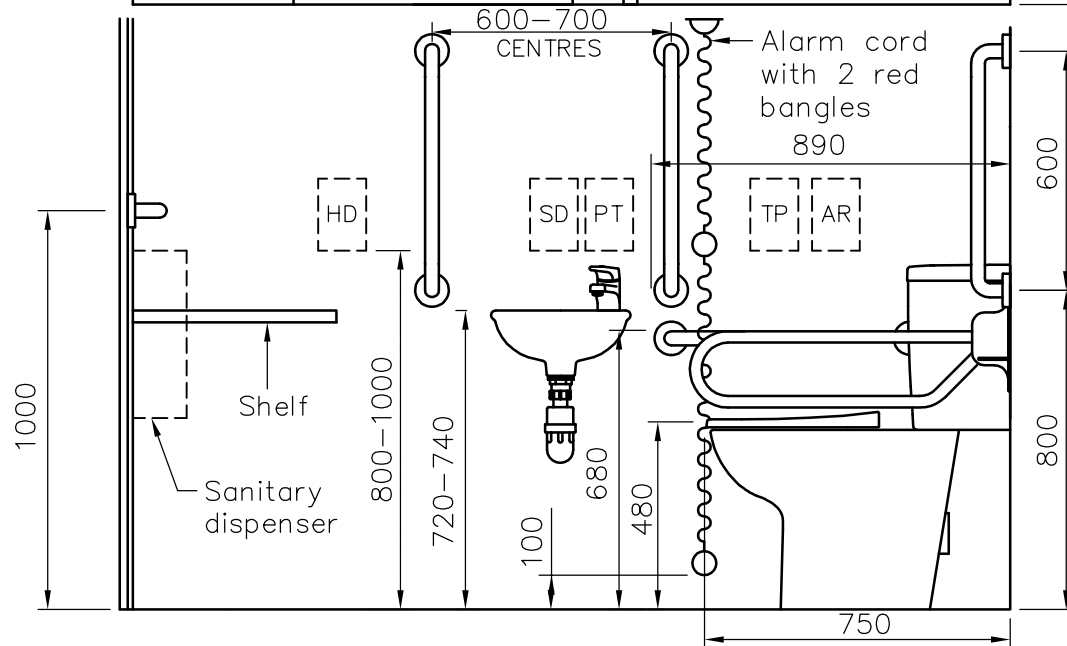
Do not scale, if in doubt ask. Dimensions are subject to manufacturing tolerances, unless otherwise specified

ALL DIMENSIONS IN mm

HD - POSSIBLE POSITION FOR AUTOMATIC HAND DRYER  
SD - SOAP DISPENSER  
PT - PAPER TOWEL DISPENSER  
AR - ALARM RESET BUTTON  
TP - TOILET PAPER DISPENSER



- NOTES:
- LEFT HAND CORNER INSTALLATION ILLUSTRATED
  - THIS LAYOUT IS ONLY SUITABLE WHERE IT IS NOT THE ONLY TOILET FACILITY WITHIN THE BUILDING
  - BASIN BOTTLE TRAP AND TOILET ROLL HOLDER ARE NOT SUPPLIED
  - WALL & FLOOR FINISHES MUST CONTRAST VISUALLY
  - WALL FINISH MUST CONTRAST WITH GRAB RAILS & SANITARY FITTINGS
  - UNDER BASIN THERMOSTATIC VALVE SUPPLIED BY OTHERS MUST BE FITTED TO MIXER TAP & MUST COMPLY WITH WRAS WATER REGULATIONS GUIDANCE NOTE G 18.5
  - EMERGENCY LIGHTING MUST BE PROVIDED
  - LEVER ACTION TAP SUPPLIED
  - DOOR TO BE FITTED WITH LIGHT ACTION PRIVACY BOLTS WITH EMERGENCY RELEASE MECHANISMS
  - THE WC PAN IS CAPABLE OF ACCEPTING VARIABLE HEIGHT TOILET SEATS
  - ANY FIRE ALARM EMITS A VISUAL AND AUDIBLE SIGNAL TO WARN OCCUPANTS WITH HEARING OR VISUAL IMPAIRMENTS
  - ANY EMERGENCY ASSISTANCE ALARM SYSTEM HAS:-
    - i)VISUAL AND AUDIBLE INDICATORS TO CONFIRM THAT AN EMERGENCY CALL HAS BEEN RECEIVED
    - ii)A RESET CONTROL REACHABLE FROM A WHEELCHAIR AND THE WC OR FROM THE WHEELCHAIR AND THE SHOWER/CHANGING SEAT
    - iii)A SIGNAL THAT IS DISTINGUISHABLE VISUALLY AND AUDIBLY FROM THE FIRE ALARM



Drawing Title  
**MONACO DOC M LANTAC CERTIFICATION LAYOUT**

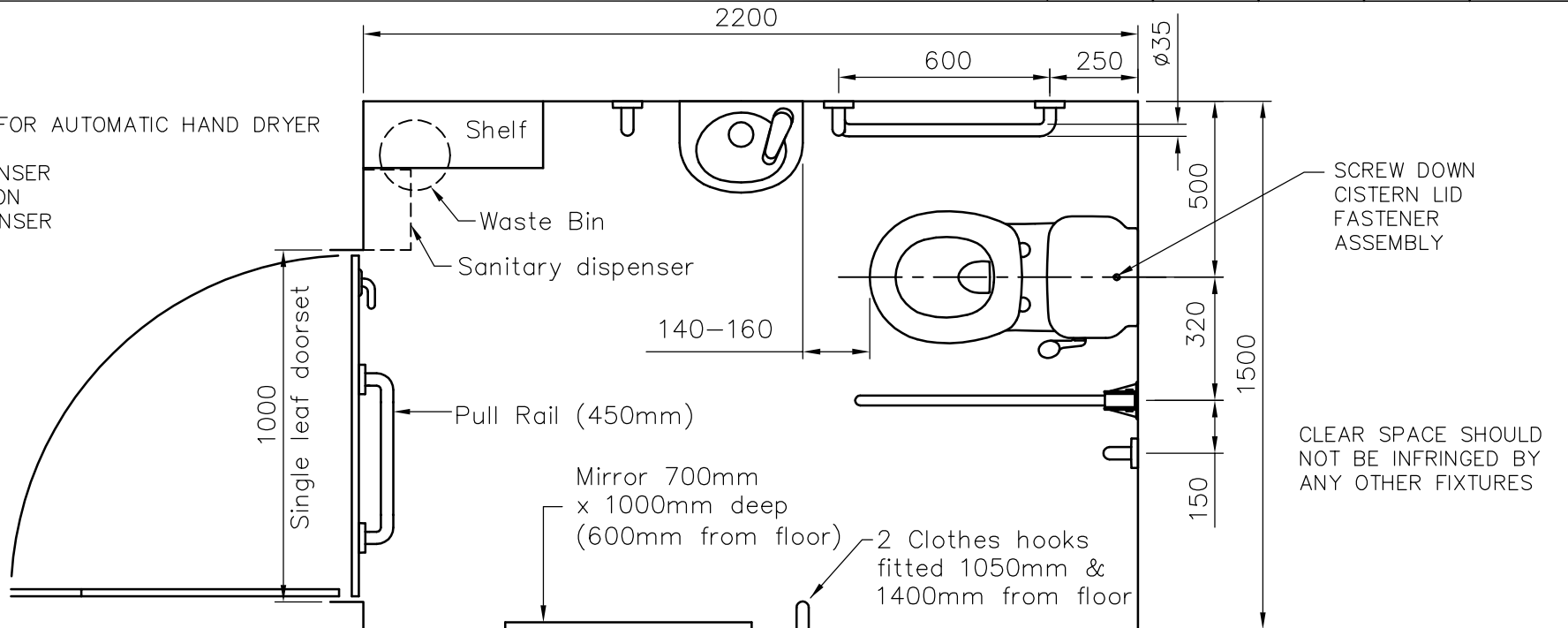
Drawing Number  
**W10197/1**

Project no.	Drawn	Date	Scale	Sheets
BS		13.1.11	1:20	1 of 1

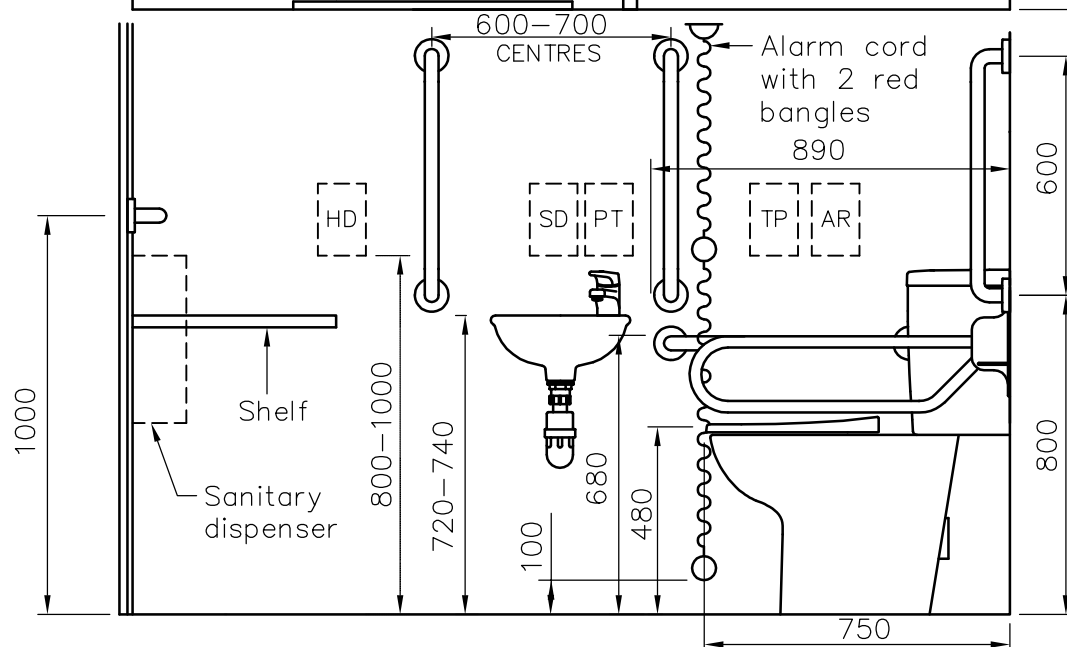
Do not scale, if in doubt ask. Dimensions are subject to manufacturing tolerances, unless otherwise specified

ALL DIMENSIONS IN mm

HD - POSSIBLE POSITION FOR AUTOMATIC HAND DRYER  
SD - SOAP DISPENSER  
PT - PAPER TOWEL DISPENSER  
AR - ALARM RESET BUTTON  
TP - TOILET PAPER DISPENSER



- NOTES:
- LEFT HAND CORNER INSTALLATION ILLUSTRATED
  - THIS LAYOUT IS ONLY SUITABLE WHERE IT IS NOT THE ONLY TOILET FACILITY WITHIN THE BUILDING
  - BASIN BOTTLE TRAP AND TOILET ROLL HOLDER ARE NOT SUPPLIED
  - WALL & FLOOR FINISHES MUST CONTRAST VISUALLY
  - WALL FINISH MUST CONTRAST WITH GRAB RAILS & SANITARY FITTINGS
  - UNDER BASIN THERMOSTATIC VALVE SUPPLIED BY OTHERS MUST BE FITTED TO MIXER TAP & MUST COMPLY WITH WRAS WATER REGULATIONS GUIDANCE NOTE G 18.5
  - EMERGENCY LIGHTING MUST BE PROVIDED
  - LEVER ACTION TAP SUPPLIED
  - DOOR TO BE FITTED WITH LIGHT ACTION PRIVACY BOLTS WITH EMERGENCY RELEASE MECHANISMS
  - THE WC PAN IS CAPABLE OF ACCEPTING VARIABLE HEIGHT TOILET SEATS
  - ANY FIRE ALARM EMITS A VISUAL AND AUDIBLE SIGNAL TO WARN OCCUPANTS WITH HEARING OR VISUAL IMPAIRMENTS
  - ANY EMERGENCY ASSISTANCE ALARM SYSTEM HAS:-
    - i)VISUAL AND AUDIBLE INDICATORS TO CONFIRM THAT AN EMERGENCY CALL HAS BEEN RECEIVED
    - ii)A RESET CONTROL REACHABLE FROM A WHEELCHAIR AND THE WC OR FROM THE WHEELCHAIR AND THE SHOWER/CHANGING SEAT
    - iii)A SIGNAL THAT IS DISTINGUISHABLE VISUALLY AND AUDIBLY FROM THE FIRE ALARM



Registration No. RD1440711G

**Registered**      **Approved Document M Accessible Toilet Packs  
Doc M Close Coupled Layout**

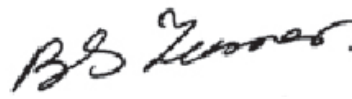
**Company:**      **Armitage Shanks**  
**Address:**      Old Road, Armitage Nr Rugeley, Staffordshire, WS15 4BT

**Description:**      This Registered System relates to items shown on drawings: W7739/3, W10198/1, W10197/1, W10196/1. Reference should be made to the provisions in section 5 (5.4-5.10) in Approved Document M 2004 edition for the other items that should be submitted for normal approval when a building regulations application is made.

**Valid until:**      26 July 2012

Date 26 July 2011

Signed on behalf of LABC



Assessed by Lichfield District Council  
under the LANTAC agreement

This registration is valid for Building Regulations and associated technical guidance in force on the date of the registration. It is the responsibility of the building control surveyor to ensure that changes in legislation affecting the registration are adequately checked.

Registration No. RD1440711G

**Registered**      **Approved Document M Accessible Toilet Packs  
Doc M Close Coupled Layout**

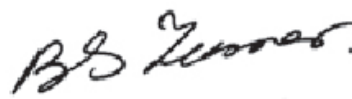
**Company:**      **Armitage Shanks**  
**Address:**      Old Road, Armitage Nr Rugeley, Staffordshire, WS15 4BT

**Description:**      This Registered System relates to items shown on drawings: W7739/3, W10198/1, W10197/1, W10196/1. Reference should be made to the provisions in section 5 (5.4-5.10) in Approved Document M 2004 edition for the other items that should be submitted for normal approval when a building regulations application is made.

**Valid until:**      26 July 2012

Date 26 July 2011

Signed on behalf of LABC



Assessed by Lichfield District Council  
under the LANTAC agreement

This registration is valid for Building Regulations and associated technical guidance in force on the date of the registration. It is the responsibility of the building control surveyor to ensure that changes in legislation affecting the registration are adequately checked.