



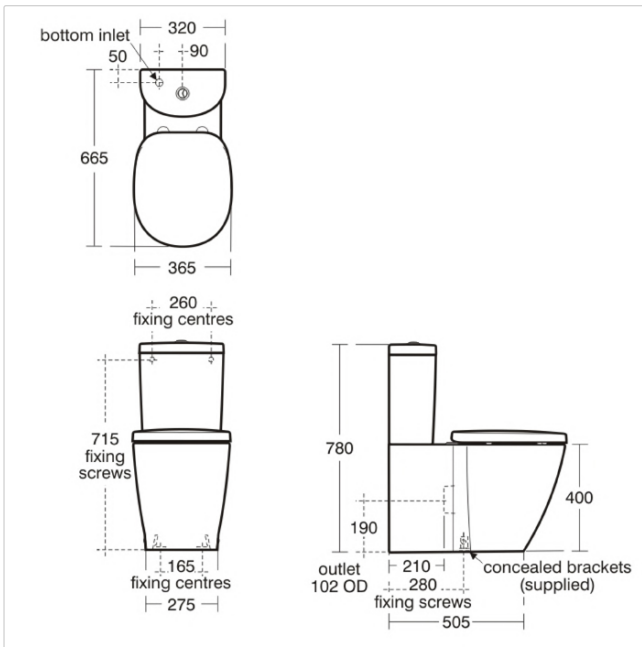
Concept Close Coupled Back To Wall WC Pan With Fixing Kit - Arc

Illustrated

- E7941** Concept close coupled back to wall WC pan with horizontal outlet
- E7855** Concept Arc close coupled delay fill, valve cistern 4/2.6 litre dual flush push button bottom supply and internal overflow
- E7917** Concept, seat and cover, slow close

Configuration options

- E7860** Concept Arc close coupled cistern 6/4 litre dual flush push button valve bottom supply and internal overflow
- E7918** Concept, seat and cover
- E3222** Panekta outlet Connector, finned pattern to convert horizontal outlet WCs to P trap
- E3221** Panekta outlet connector, finned pattern to convert horizontal outlet WCs to S or turned P trap



Material

Vitreous China

Weights

- E7941 26.40KG
- E7855 11.36KG
- E7917 2.40KG

Colours

White (01)

Standards

Vitreous china to BS 3402, BS EN 997 & BS EN 33

Special Notes

WC screwed to floor and cistern screwed to wall. Joint to wall sealed with waterproof sealant (not supplied)

Designer

Robin Levien, RDI

Frequently used applications

- | | |
|-------------|----------------|
| Education | Hotels |
| Office | Pubs and Clubs |
| Residential | |

Features

Water Saving

Accreditations

Water Label
WTL



Tel: 0870 122 8822
Fax: 0870 122 8282
Email: info@idealspec.co.uk
Web: www.idealspec.co.uk

Ideal Standard (UK) Ltd. makes every effort to ensure that the information provided on its website is accurate. However, we cannot guarantee this, and accept no liability for any information or advice given via its website.



Date created: 26/07/2013