

# Installation and operating instructions

## UFH Wiring Centre 24V (no. 63050599401)

### 1. OVERVIEW / FUNCTION

This manual describes the function and installation of the wired Under Floor Heating (UFH) control system. The wired UFH system consists of two key components: The Myson 24V wiring centre and the Myson 24V room thermostat. The system is approved for use in the EU and EFTA countries. The wiring centre is prepared with a built-in 50VA transformer and terminals for thermostats and actuators. Each terminal block is clearly marked with symbols that facilitate easy and problem free installation. Each wiring centre can control up to ten heating zones and twelve actuators

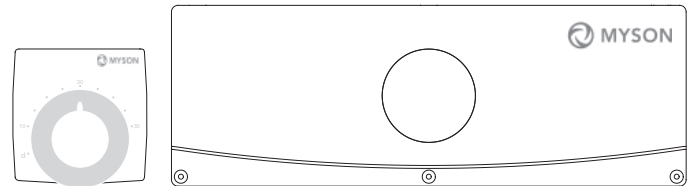


Fig. 1 Room Thermostat 24V, Wiring centre 24V

### 2. MOUNTING / INSTALLATION

Position the wiring centre right above the underfloor heating manifold, either on the wall or inside the manifold cabinet. The wiring centre must be mounted horizontally and in a way that facilitates access, and easy removal of the cover.

#### Caution !

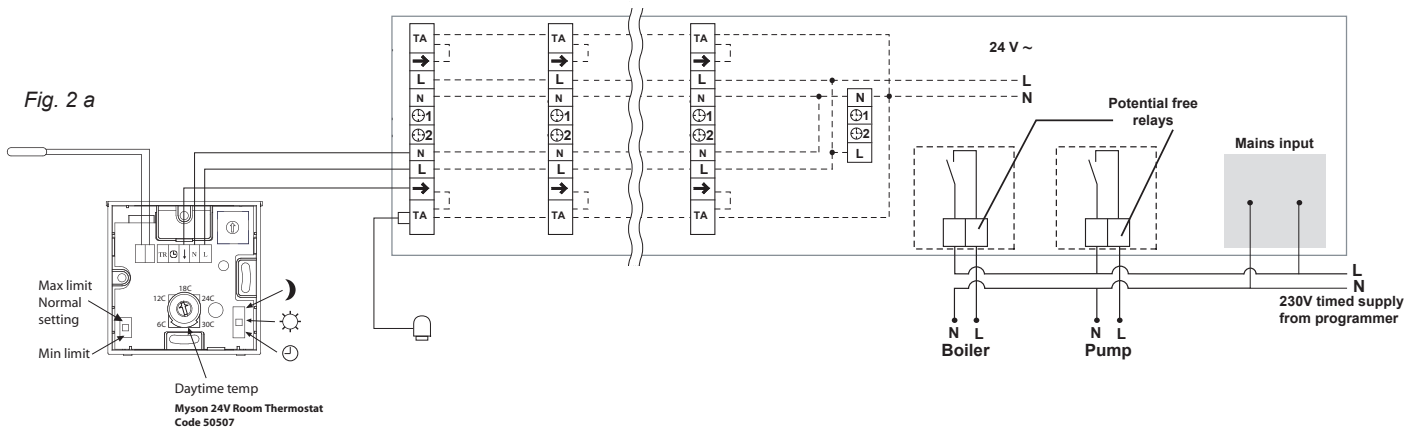
The wiring centre must not be exposed to splashes of water (IP20).

The power supply must be disconnected before proceeding with the installation.

Loosen the three screws and lift the cover. Connect the wires from the thermostats to the corresponding terminals in the wiring centre. See fig. 2a.

Remember to register the location of the thermostat. Connect the cables from the actuators to the relevant terminals. If a thermostat controls more than one actuator, make the connection as shown in fig. 2b. Secure cables in the strain reliefs. See fig. 3a + 3b. Replace the cover on the hinges above and close the cover. Tighten the three screws and connect the plug to 230V.

*Pump relays:* The wiring centre is provided with 2 potential-free relays, for controlling the UFH circulation pump and boiler or zone valve. The relays are activated, when one or more thermostats require heat. See fig. 2a.



#### Wiring Centre (no. 63050599401)

Phase 24V → Terminal L  
Neutral 24V → Terminal N  
Switched phase → Terminal ↑

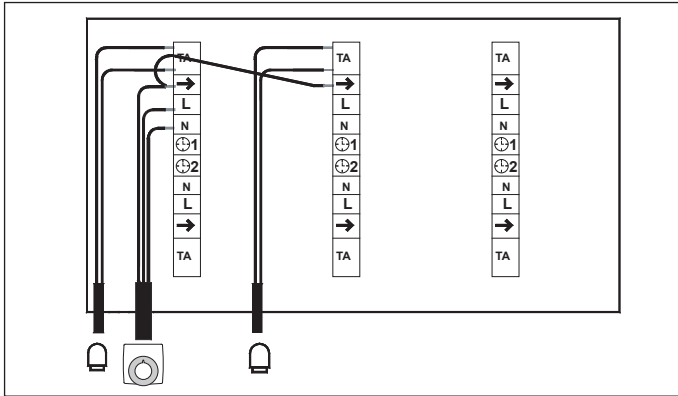


Fig. 2b. Connection of a room thermostat to more than one actuator.  
**Note:** Maximum of four actuators can be connected to one room thermostat.

### 3. INSTALLATION OF ACTUATORS

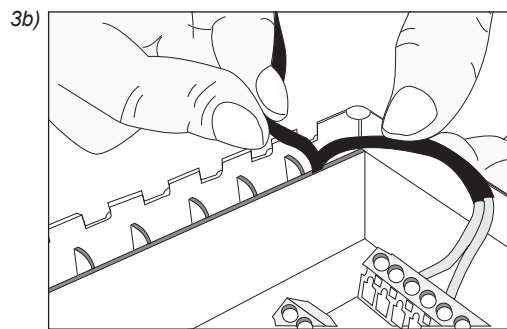
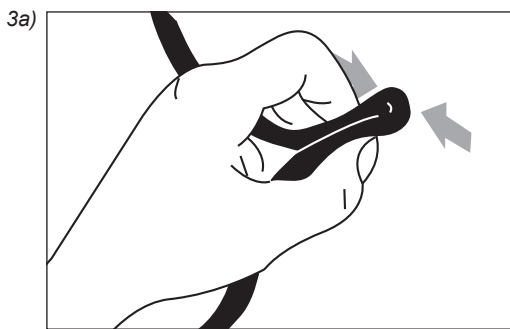


Fig. 3a + 3b Strain relief for flat actuator wires.

### 4. DIMENSIONS

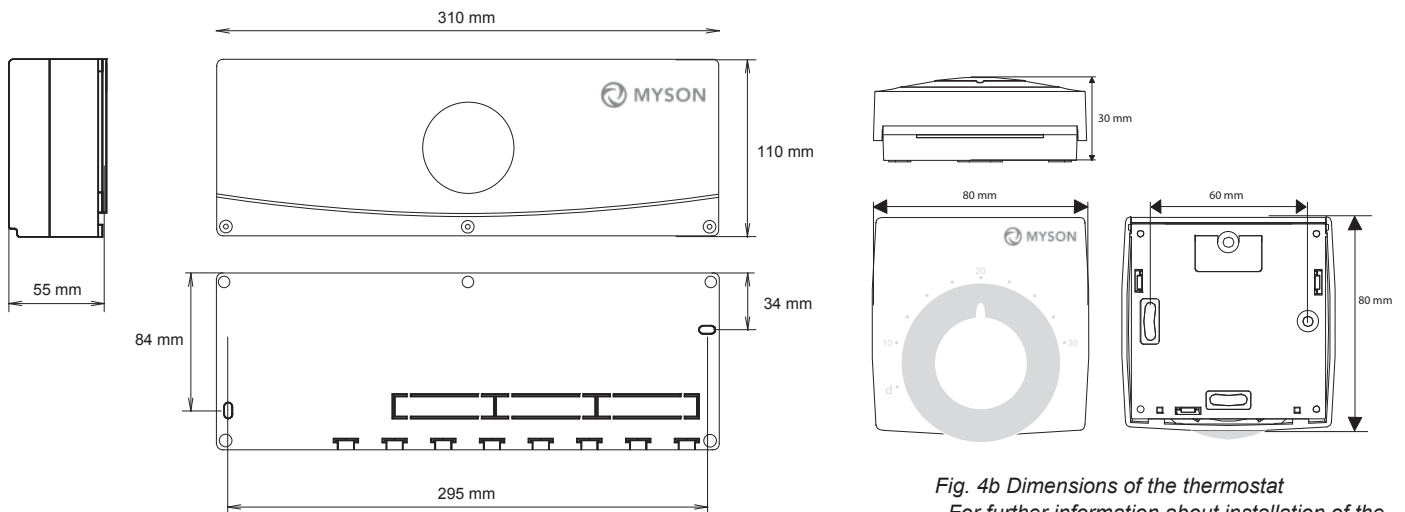


Fig. 4a Dimensions of the wiring centre.

Fig. 4b Dimensions of the thermostat  
 - For further information about installation of the thermostat, see separate manual.

### 5. TECHNICAL DATA

Voltage:	24V AC
Fuse:	200 mA T (5x20mm)
Number of thermostats:	Max. 10
Number of outputs:	10 (24V AC/ 0.5A)
Number of actuators:	Max. 12 (2W, I-max 200mA)
Connector type:	Screw terminals
Actuator cable:	Double insulated min. 0.35 mm <sup>2</sup>
Ambient temperature:	0-50 °C
Protection class:	IP20
Ambient humidity:	<85%



Myson Floortec  
 Tel: 0845 402 3434 · Fax: 0191 491 7465  
 E-Mail: [underfloor@myson.co.uk](mailto:underfloor@myson.co.uk)  
 Website: [www.myson.co.uk](http://www.myson.co.uk)