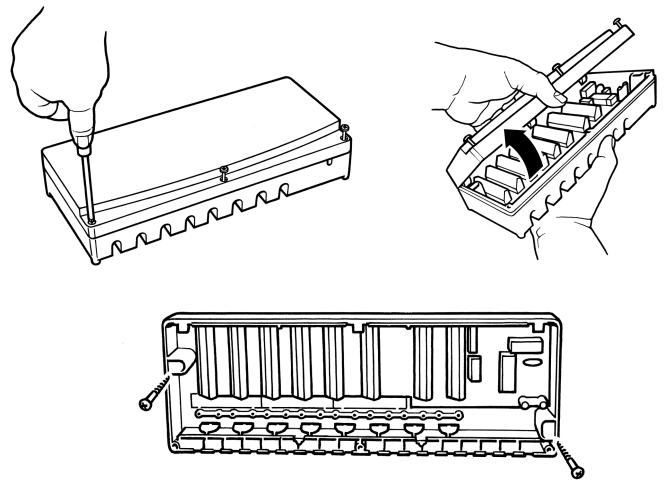


Installation and operating instructions

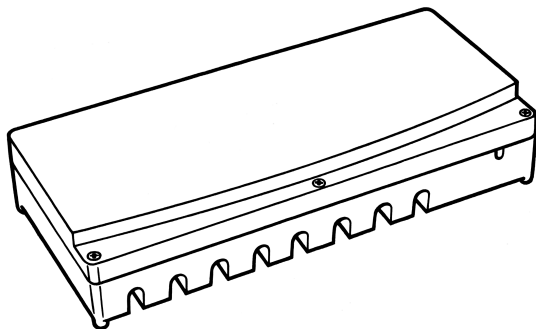
UFH Wiring Centre 230V (no. 63050598401)

Specification	
Hard-wired control box for underfloor heating	.
Number of zone outputs for thermal actuators	8
Maximum number of actuator per zone	2
Zone outputs - voltage	230 Vac, 50 Hz
Zone outputs (2) - max rating	3W
Night set-back channels (1)	2
Voltage free relay output for interlocks	2 x SPST
Voltage rating of interlock relay	230 Vac, 50 Hz
Current rating of interlock relay	2 Amps, inductive
Power supply	230 Vac, 50 Hz
Max ambient temperature	50°C
Dimensions, mm	314w x 110h x 61d
(1) Night set-back requires separate time control	
(2) Maximum 2 actuators per zone	

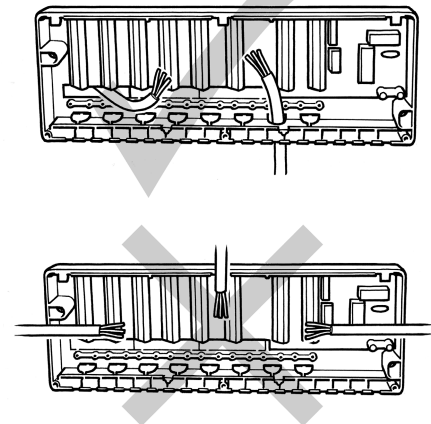
Mounting



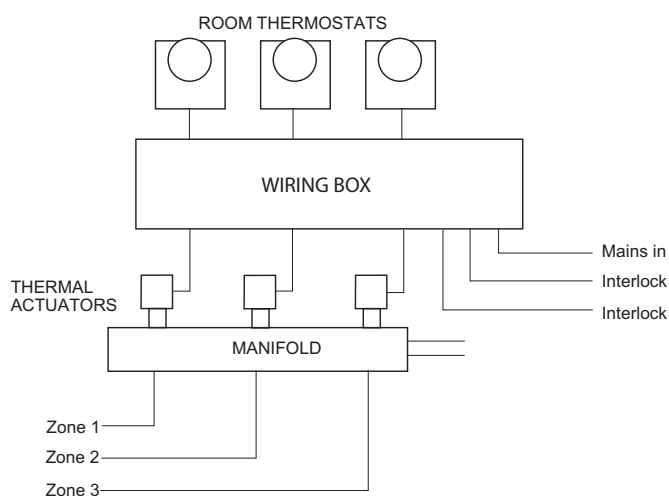
Hard Wired Box



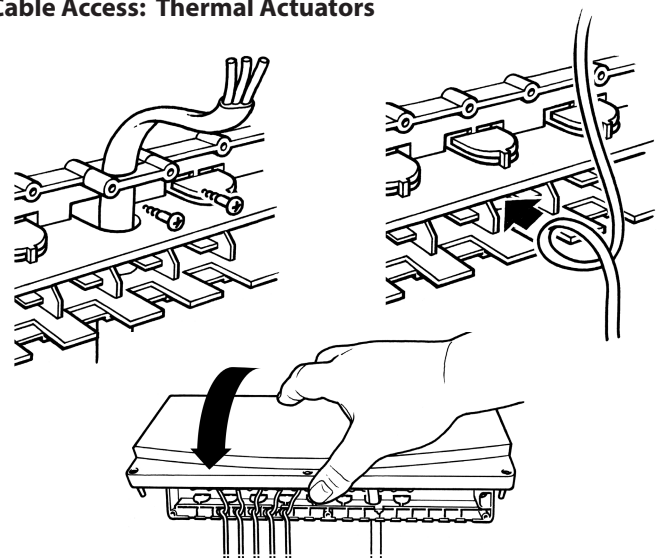
Cable Access: Thermostats, Interlock and Mains



System Schematic

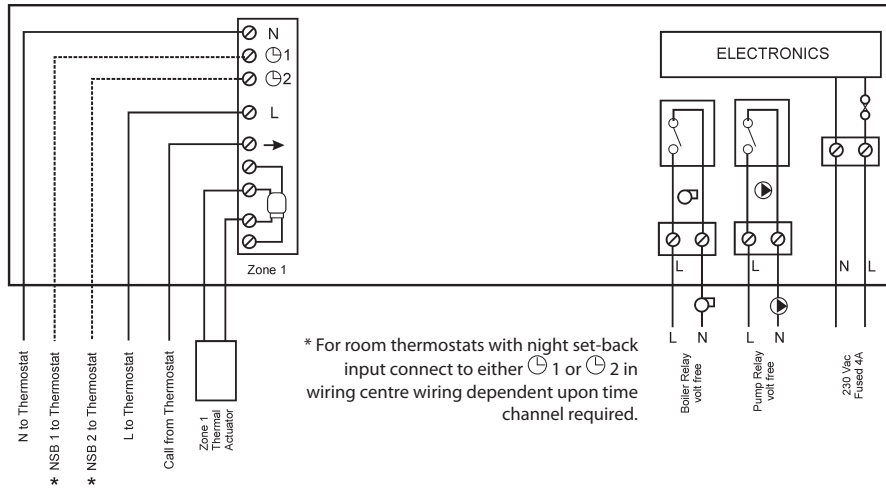


Cable Access: Thermal Actuators

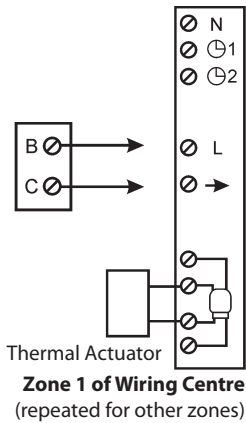


Wiring Connections

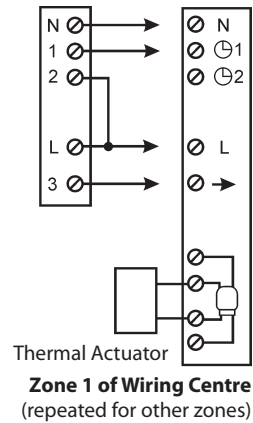
System 1: basic system without time control



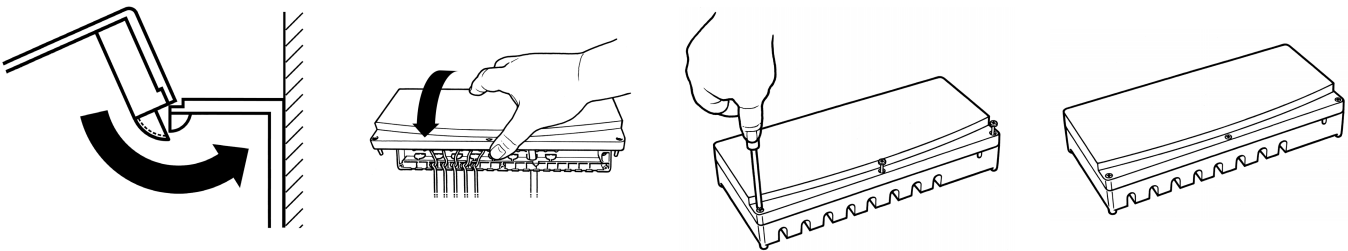
System 2: system with programmable room thermostats



System 3: system with 2 channel centralised night set-back



Replacing Wiring Box Cover



Myson Floortec
 Tel: 0845 402 3434 · Fax: 0191 491 7465
 E-Mail: underfloor@myson.co.uk
 Website: www.myson.co.uk