

# TECHNICAL DATASHEET

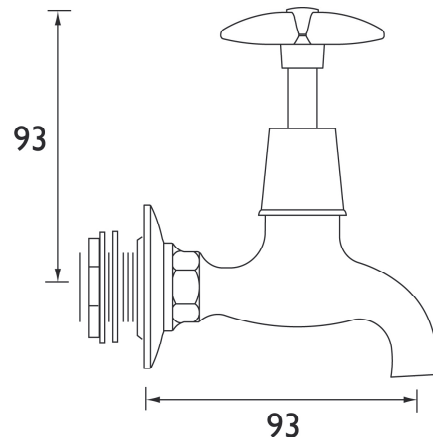
# BRISTAN

## Value Cross Head Range

Value Cross Head Bib Taps Chrome

### Product Specification

<b>Product Code:</b>	<b>VAX BIB C</b>
<b>Finishes:</b>	<b>Chrome</b>
<b>Product Type:</b>	<b>Contemporary</b>
<b>Construction:</b>	<b>Taps bodies are of all brass construction</b>
<b>Cartridge/Valve Type:</b>	<b>1/2" Standard valve</b>
<b>Supply:</b>	<b>Suitable for all plumbing systems, ideally balanced.</b>
<b>Inlet Connections:</b>	<b>1/2" BSP</b>
<b>Water Pressure</b>	<b>Min 0.2 bar, Max 7.0 bar</b>



### Additional Information

- Supplied with Metal Heads
- Chrome plated to BS EN 248

**Technical Advice:** For further information please call 0844 7016273 or email [customercontact@bristan.com](mailto:customercontact@bristan.com)

**Guarantee:** 5 year covering manufacturing faults.

### Compliance / Approvals

**WRAS:** Certificate No. 0909013

### Performance

System Pressure	0.2bar	0.4bar	1bar	2bar	3bar	5bar
Flow Rate (litres per min.)	11.3	14.4	22.3	33.3	40.7	52.6

Bristan, Birch Coppice Business Park, Dordon, Tamworth, B78 1SG  
Telephone: 0844 701 6274 Facsimile: 0844 701 6275  
Web Site: [www.bristan.com](http://www.bristan.com) Email: [enquire@bristan.com](mailto:enquire@bristan.com)

Rev D2

