

# TECHNICAL DATASHEET

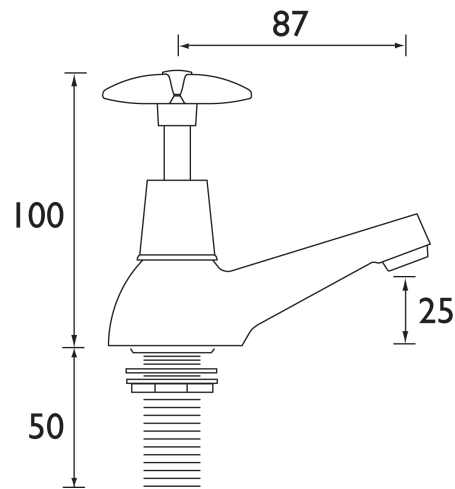


## VALUE CROSS HEAD VALUE CROSS HEAD 3/4" BATH TAPS



### Product Specification

- Product Code:** VAX 3/4 C  
**Finish:** Chrome  
**Product Type:** Contemporary  
**Construction:** Tap bodies are of all brass construction  
**Valve Type:** 1/2" Standard valve  
**Supply:** Suitable for all plumbing systems, preferably balanced  
**Inlet Connections:** 3/4" BSP  
**Water Pressure:** Min 0.2 bar, Max. 7.0 bar



### Additional Information

- Supplied with metal heads
- Supplied with metal back nuts
- Chrome plated to BS EN 248

**Technical Advice:** For further information please call 0844 7016273 or email [customer care@bristan.com](mailto:customer care@bristan.com)  
**Guarantee:** 5 years covering manufacturing faults

### Compliance/Approvals

**WRAS:** Certificate No.: 0910015

#### Flow Rates (litres per minute)

System Pressure	0.2bar	0.4bar	1bar	2bar	3bar	5bar
Bath Taps	11.2	15.8	24.8	35.5	43.3	55.8

