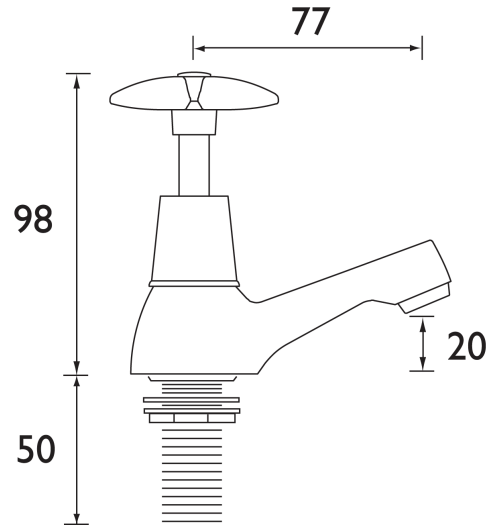


## VALUE CROSS HEAD VALUE CROSS HEAD 1/2" BASIN TAPS



### Product Specification

<b>Product Code:</b>	VAX 1/2 C
<b>Finishes:</b>	Chrome
<b>Product Type:</b>	Contemporary
<b>Construction:</b>	Tap bodies are of all brass construction
<b>Valve Type:</b>	1/2" Standard valve
<b>Supply:</b>	Suitable for all plumbing systems, preferably balanced
<b>Inlet Connections:</b>	1/2" BSP
<b>Water Pressure:</b>	Min 0.2 bar, Max. 7.0 bar



### Additional Information

- Supplied with metal heads
- Supplied with metal back nuts
- Chrome plated to BS EN 248

**Technical Advice:** For further information please call 0844 7016273 or email [customer care@bristan.com](mailto:customer care@bristan.com)  
**Guarantee:** 5 years covering manufacturing faults

### Compliance/Approvals

**WRAS:** Certificate No. 0910015

#### Flow Rates (litres per minute)

System Pressure	0.2bar	0.4bar	1bar	2bar	3bar	5bar
Basin Taps	14.0	24.7	31.0	44.3	62.6	70.0