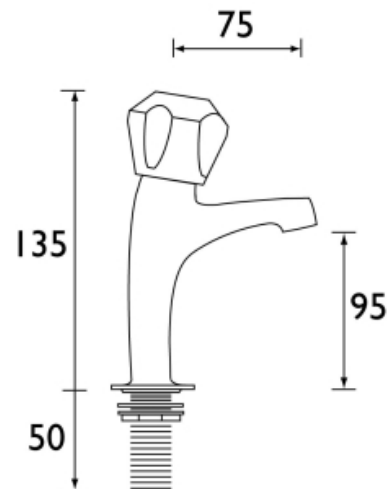


## VALUE CLUB

### VALUE CLUB HIGH NECK PILLAR TAPS

#### Product Specification

<b>Product Code:</b>	VAC HNK C MT, VAC HNK C NH
<b>Finishes:</b>	Chrome
<b>Product Type:</b>	Contemporary
<b>Construction:</b>	Tap bodies are of all brass construction
<b>Valve Type:</b>	½" Standard valve
<b>Supply:</b>	Suitable for all plumbing systems, preferably balanced
<b>Inlet Connections:</b>	½" BSP
<b>Water Pressure:</b>	Min 0.2 bar Max. 7.0 bar



#### Additional Information

- Supplied with metal heads
- Supplied with metal backcuts
- Chrome plated to BS EN 248
- VAC HNK C NH – (supplied with no heads)

**Technical Advice:** For further information please call 0844 7016273 or email [customer@bristan.com](mailto:customer@bristan.com)  
**Guarantee:** 5 years covering manufacturing faults

#### Compliance/Approvals

**WRAS:** Certificate No.: 0910014

#### Flow Rates (litres per minute)

System Pressure	0.2bar	0.4bar	1bar	2bar	3bar	5bar
High Neck Pillar Taps	13.6	19.6	31.0	43.5	53.2	68.7