

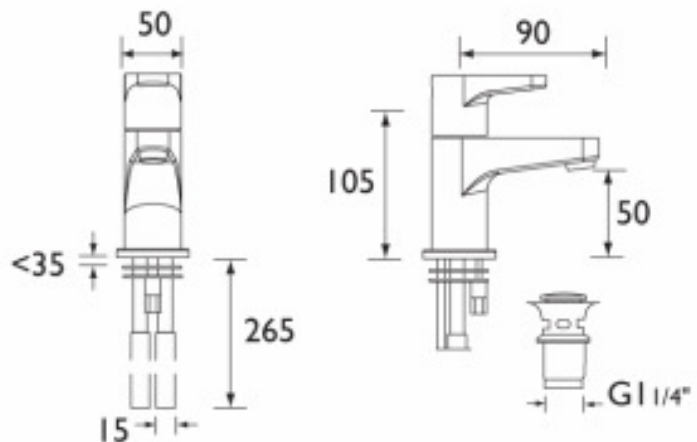
TECHNICAL DATASHEET

QUEST QUEST BASIN MIXER CHROME



Product Specification

Product Code:	QST BAS C
Finish:	Chrome
Product Type:	Contemporary
Construction:	Body is of brass construction and is designed to conform to BS EN 817
Valve Type:	35mm ceramic disc cartridge
Supply:	Suitable for all plumbing systems
Inlet Connections:	M10 x 15mm copper connecting pipes
Water Pressure:	Min. 0.2 bar, Max. 8.0 bar



Additional Information

- Supplied with clicker waste
- Supplied with metal handle
- Chrome plated to BS EN 248

Technical Advice: For further information please call 0844 7016273 or email customer care@bristan.com.
Guarantee: 5 years covering manufacturing faults.

Compliance/Approvals

WRAS: Pending

Flow Rates (litres per minute)

System Pressure	0.2bar	0.5bar	1bar	2bar	3bar	5bar
QST BAS C	5.2	8.5	12.0	17.0	20.9	26.9