

SANICONDENS

for pumping acidic condensate

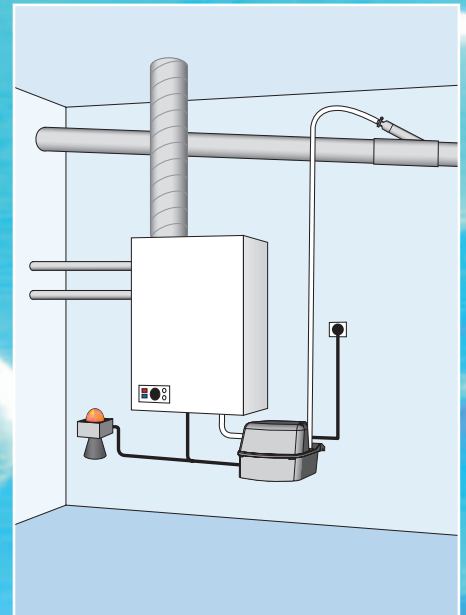


- Pumps condensate away
- Pumps up to 5m vertically
- Full 6 m flexible discharge pipe supplied
- Floor or wall mounting
- Pumps up to 340 litres/hour
- Also works with a/c units, dehumidifiers and other water producing units
- Pre-cabled connection for an alarm system

A New pump for a New Market ...created by legislation

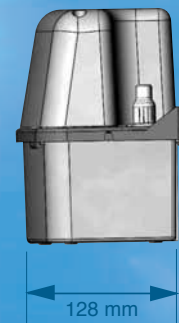
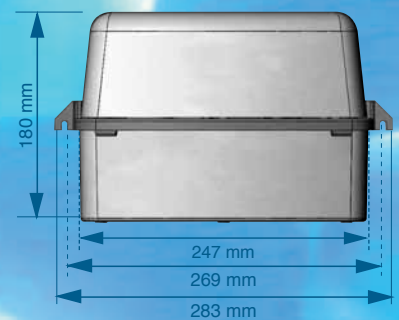
From April 2005 most new and replacement boilers will be condensing boilers. The water vapour produced in the combustion process condenses into a liquid form. This acidic liquid, known as

condensate, has to be piped away to a remote drain. This poses problems when the boiler is sited below drain or sewer level as the liquid cannot be drained by gravity.

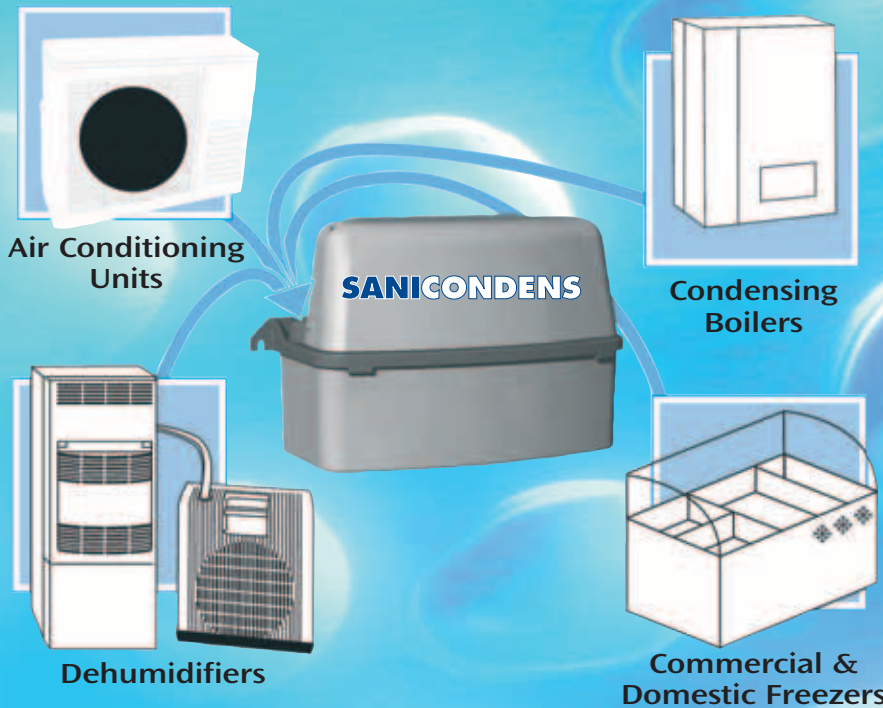


Pre-cabled connection for an alarm system

SANICONDENS



Weight: 1900 gms
Liquid capacity: 1800 cc
Sound level: <45 dBA
Non-return valve fitted



SANICONDENS is specifically designed for disposing of the acidic condensate from condensing boilers and equally can be used in conjunction with other water producing equipment such as air conditioners, dehumidifiers and so on.

SANICONDENS is a small (283 x 180 x 128 mm) but powerful pumping unit that will take the discharge from a condensing boiler or other water producing appliance and pump it away to a drain. The unit, which can be floor or wall mounted, will pump

up to 5 metres vertically. It can pump up to 342 litres/hour and if pumping vertically to 4 metres will pump at 156 litres/hour.

Quiet and light it is designed to operate with water at a mean temperature of 35°C and occasionally with water up to 80°C and a minimum pH of 2.5.

As with all SANIFLO products the SANICONDENS is fully guaranteed for two years and is supported by a nationwide network of service engineers.

SANIFLO

Saniflo Ltd., Howard House, The Runway, South Ruislip, Middx., HA4 6SE
Tel: 020 8842 0033 Fax: 020 8842 1671 Email: sales@saniflo.co.uk

www.saniflo.co.uk

SFA
Group