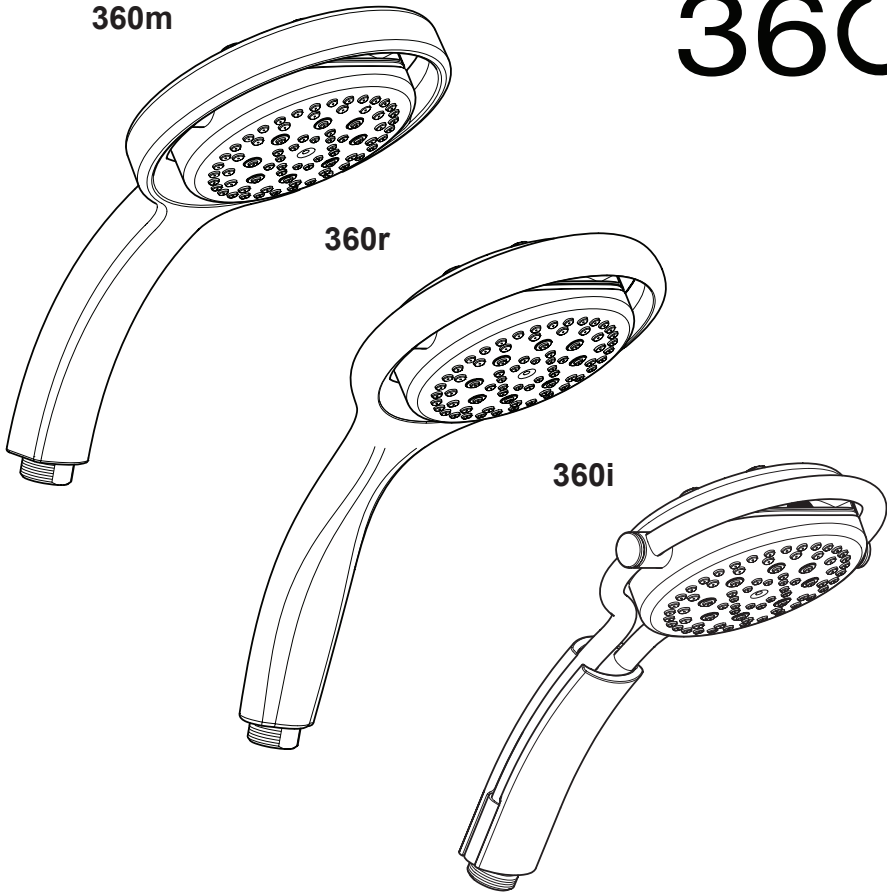


# ***mira***

360



With **Flipstream** Technology  
1 flip action, 4 unique sprays

MIRA 360m SHOWERHEAD  
MIRA 360r SHOWERHEAD  
MIRA 360i SHOWERHEAD

INSTALLATION & USER GUIDE

**These instructions must be left with the user.**

# INTRODUCTION

## Introduction

Thank you for purchasing a quality Mira product. To enjoy the full potential of your new product, please take time to read this guide thoroughly, having done so, keep it handy for future reference.

Mira showerheads are designed to give a satisfactory shower over a range of pressures. These showerheads are suitable for pressures between 0.1 and 5.0 bar.

## General

1. Installations must comply with Water Regulations (Bye-Laws, Scotland), and any other Local Regulations and Building Regulations in force at the time of installation.
2. Before installation carefully inspect the product for any signs of damage.

## Guarantee

For **domestic installations**, Mira Showers guarantee the products listed in this guide against any defect in materials or workmanship for a period of **one** year from the date of purchase.

For terms and conditions refer to the back cover of this guide.

## Patents and Design Registration

### Patent Applications:

UK: 0715612.8, 0804172.5  
World: PCT/GB2008/002703

### Design Registration:

Europe: 001004022

If you experience any difficulty with the installation or operation of your new showerhead, please refer to '**Fault Diagnosis**', before contacting Kohler Mira Ltd. Our contact details can be found on the back cover of this guide.

# FLOW RATES

The flow rates for the Mira 360 showerheads are listed below.

Spray Pattern	Inlet Pressure 0.5 bar	Inlet Pressure 0.1 bar
Rain	12.3 l/min	5.4 l/min
Storm	11.5 l/min	5 l/min
Burst	7 l/min	3.3 l/min
Cloud	4.2 l/min	
Cloud LC		2.7 l/min

# USER MAINTENANCE

If you require a Mira trained service engineer or agent, refer to section: '**Customer Services**'.

## Fault Diagnosis

### Symptom:

- *Sprayplate assembly blocked.*

### Cause / Rectification:

- *Clean the sprayplate.*
- 

### Symptom:

- *Drip from sprayplate assembly.*

### Cause / Rectification:

- *A small amount of water may be retained in the showerhead after the shower control has been turned off. This may drain over a few minutes. Changing the angle of the showerhead may vary the draining time.*
- 

### Symptom:

- *Poor spray pattern from the Cloud sprayplate assembly.*

### Cause / Rectification:

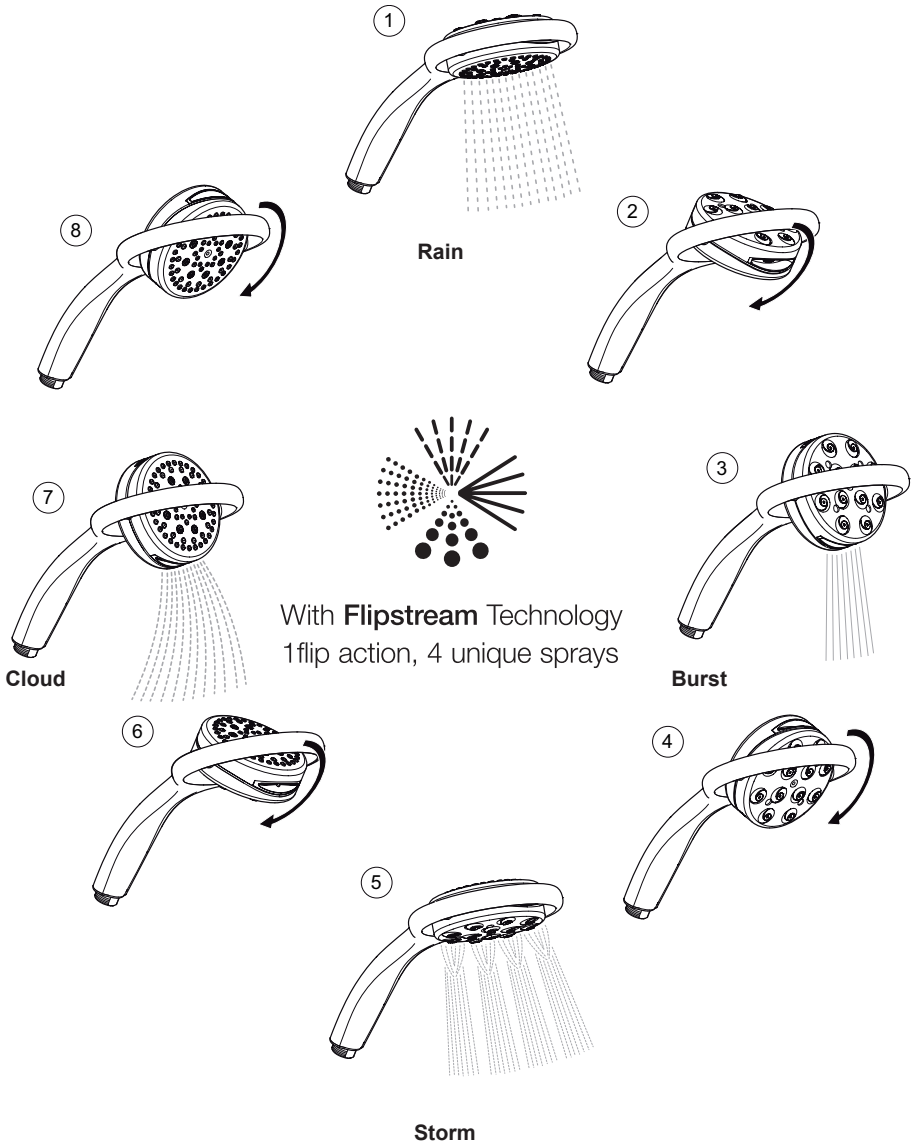
- *Change the Cloud sprayplate assembly for the LC (Low Capacity) version.*

**Caution!** The LC Sprayplate **must** not be used on electric showers

---

# OPERATION

Turn the showerhead in the direction shown to activate the different spray patterns.



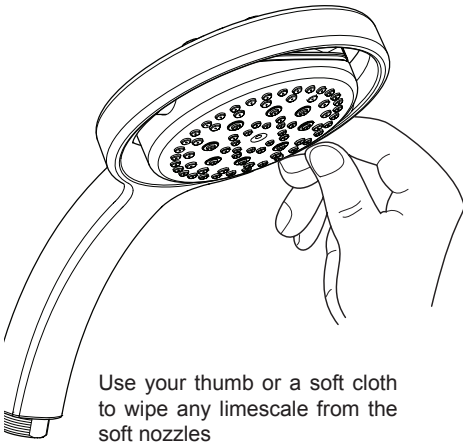
## Cleaning

Many household cleaners contain abrasives and chemical substances, and should not be used for cleaning plated or plastic fittings.

These finishes should be cleaned with a mild washing up detergent or soap solution, and then wiped dry using a soft cloth.

Use your thumb or a soft cloth to wipe any limescale from the soft nozzles and the front surface of the showerhead sprayplate.

**Important!** The sprayplate **must** be regularly cleaned to make sure that the showerhead does not become blocked.



Cleaning the Sprayplate Assembly

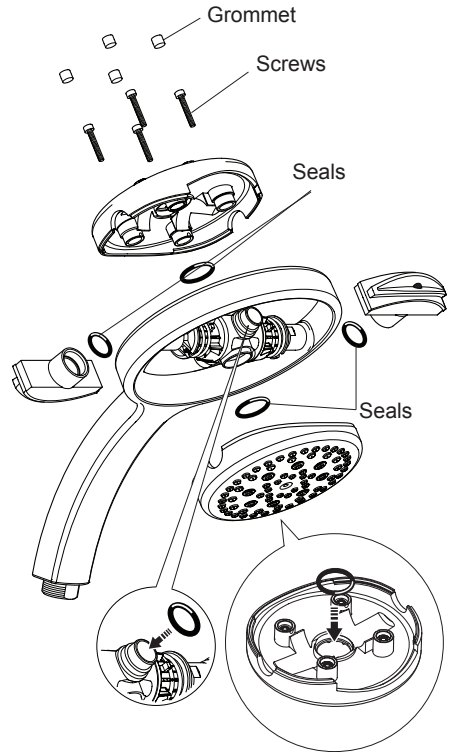
## Spray Plate Assembly

1. Use a suitable tool to remove the grommets.
2. Using the 2.5 mm hexagonal wrench (supplied), remove the screws.
3. Separate the sprayplate assembly into its individual components.

4. Clean or replace components as necessary.

**Note!** Make sure that the seals are located correctly.

5. Reassemble the components in reverse order.



Replacing the Sprayplate or Seals

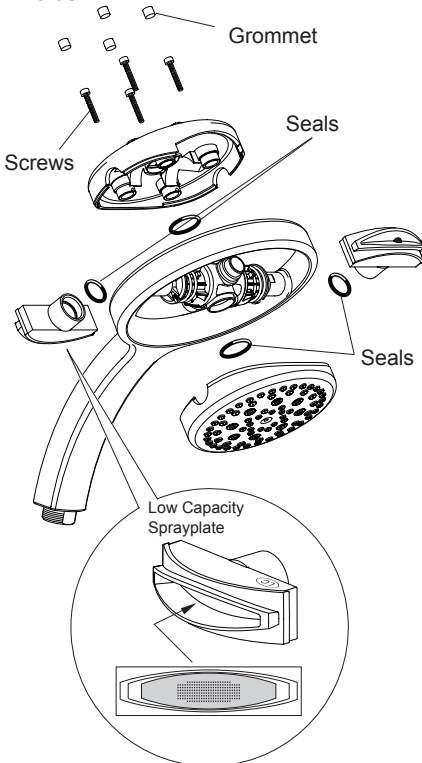
## Cloud Spray Plate Assembly

This product is supplied configured for the majority of showering systems including electric showers.

**Note!** for showers with a pressure of below 0.15 bar (1.5 metre head) it might be necessary to change the Cloud sprayplate assembly for the LC (Low Capacity) version in order to achieve a suitable spray pattern.

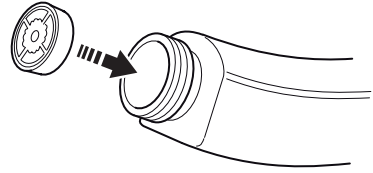
**Caution!** The LC sprayplate **must** not be used on electric showers

1. Use a suitable tool to remove the grommets.
2. Using the 2.5 mm hexagonal wrench (supplied), remove the screws.
3. Separate the sprayplate assembly into its individual components.
4. Replace the Cloud assembly sprayplate with the LC version.
5. Reassemble the components in reverse order.



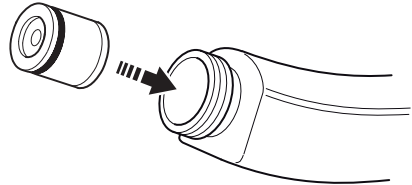
Replacing the Cloud Sprayplate Assembly

## ACCESSORIES

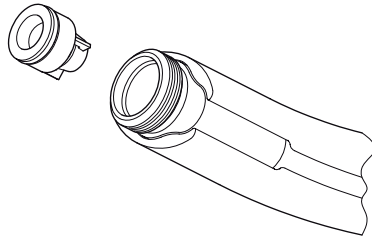


### Flow Regulator (12 L/min - Red) - 1641.059

If your shower has no flow control, you may find operation of the shower on high pressure systems too forceful. Fitting a flow regulator in the showerhead will reduce this.



### Checkvalve (360m and 360r) - 1688.282



### Checkvalve (360i) - 1688.283

To comply with UK Water Regulations you must make provision to prevent the backflow of waste water through the shower.

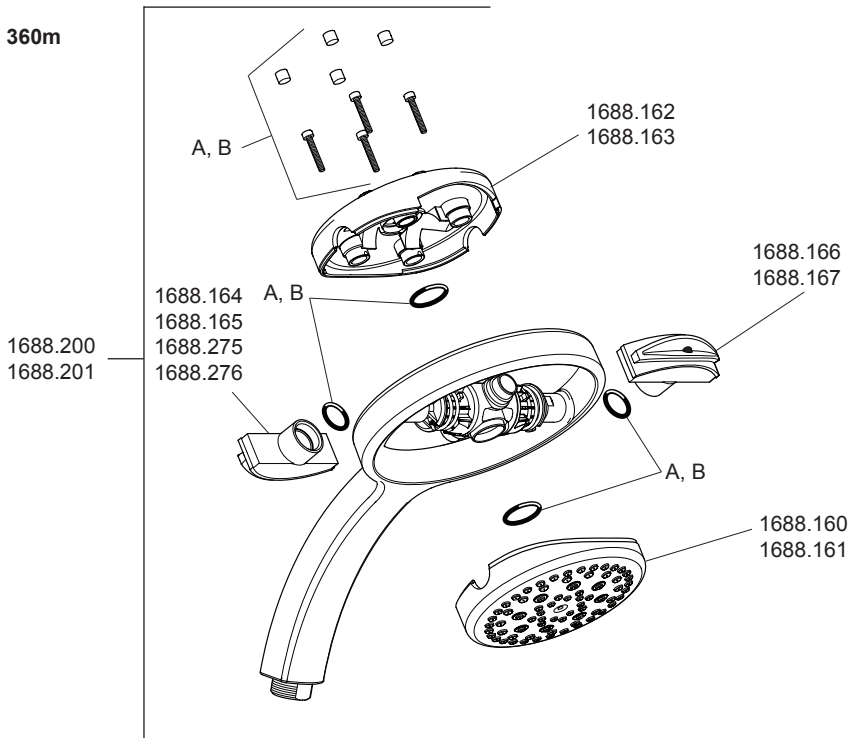
A hose retaining ring will allow compliance but may restrict full use of the hose.

However, if your mixer shower is already fitted with single inlet checkvalves then fitting the extra showerhead checkvalve will allow compliance without the need for the hose retaining ring.

# SPARE PARTS

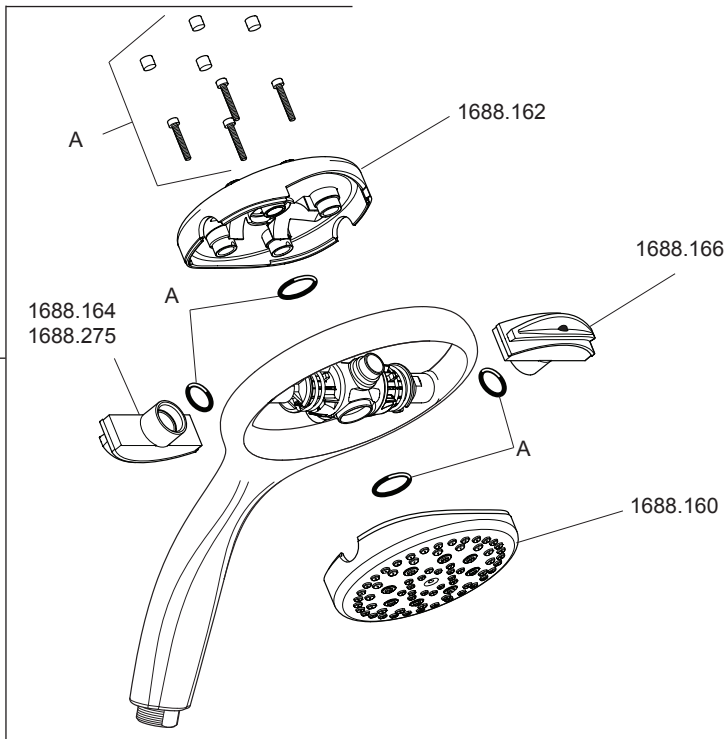
Spare part numbers are indicated in bold and are available from authorised stockists or merchants (locations on request) or direct from Mira Customer Services, our contact details can be found on the back cover of this guide.

- 575.12** Hexagonal Wrench - 2.5 mm (not illustrated)
- 1688.160** Rain Assembly - white
- 1688.161** Rain Assembly - black
- 1688.162** Storm Assembly - white
- 1688.163** Storm Assembly - black
- 1688.164** Cloud Assembly - white
- 1688.165** Cloud Assembly - black
- 1688.166** Burst Assembly - white
- 1688.167** Burst Assembly - black
- 1688.168** Seal & Screw Pack - components identified 'A'
- 1688.184** Seal & Screw Pack - black - components identified 'B'
- 1688.169** 360i Handle
- 1688.200** 360m Showerhead - chrome/white
- 1688.201** 360m Showerhead - chrome/black
- 1688.202** 360r Showerhead - chrome/white
- 1688.203** 360r Showerhead - white
- 1688.204** 360i Showerhead - chrome/black
- 1688.275** Cloud Assembly LC (Low Capacity) - white
- 1688.276** Cloud Assembly LC (Low Capacity) - black



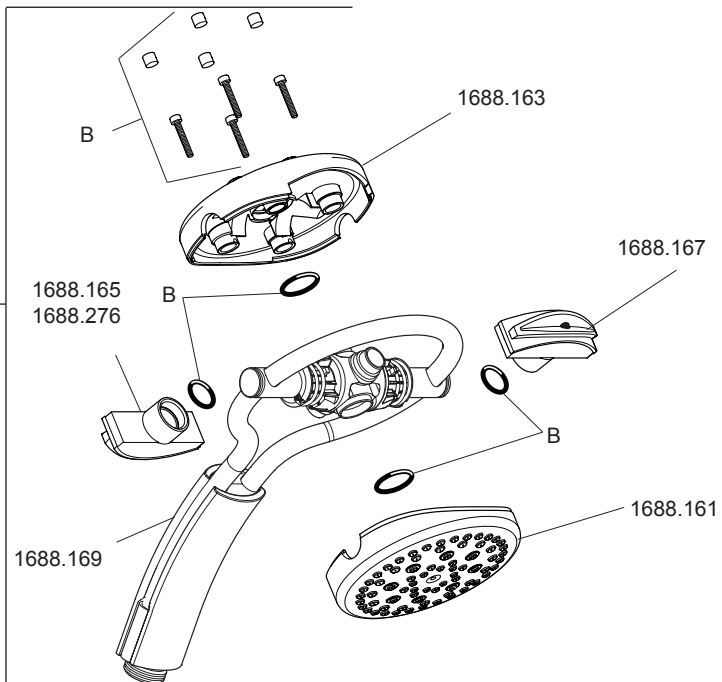
360r

1688.202  
1688.203



360i

1688.204



# CUSTOMER SERVICE

## Guarantee of Quality

Mira Showers guarantee your product against any defect in materials or workmanship, provided that it is installed and maintained in accordance with the instructions given in this guide.

To validate the guarantee, please return your completed registration card within 30 days of product installation.

Within the guarantee period we will resolve defects, free of charge, by repairing or replacing parts or modules as we may choose.

To be free of charge, service work must only be undertaken by Mira Showers or our approved agents.

Service under this guarantee does not affect the expiry date of the guarantee.

The guarantee on any exchanged parts or product ends when the normal product guarantee period expires.

### Not covered by this guarantee:

Planned maintenance, or replacement parts required to comply with the servicing requirements of the TMV 2 and TMV 3 healthcare schemes (where applicable).

Damage or defects arising from incorrect installation, improper use or lack of maintenance, including build-up of limescale.

Damage or defects if the product is taken apart, repaired or modified by any persons not authorised by Mira Showers or our approved agents.

This guarantee is in addition to your statutory and other legal rights.

## What to do if something goes wrong

If when you first use your shower, it doesn't function correctly, first contact your installer to check that installation and commissioning are satisfactory and in accordance with the instructions in this manual. We are on hand to offer you or your installer any advice you may need.

Should this not resolve the difficulty, simply contact our Customer Services Team who will give every assistance and, if necessary, arrange for our service engineer to visit. If the performance of your shower declines, consult this manual to see whether simple home maintenance is required. Please call our Customer Services Team to talk the difficulty through, request a service under guarantee if applicable, or take advantage of our comprehensive After-Sales service.

As part of our quality and training programme calls may be recorded or monitored.

Our Customer Services Team is comprehensively trained to provide every assistance you may need: help and advice, spare parts or a service visit.

## Spare Parts

We maintain an extensive stock of spares and aim to provide support throughout the product's expected life.

Genuine Mira spares can be purchased direct from Customer Services or from approved stockists or merchants (locations on request).

Spare parts will normally be despatched within two working days. Payment can be made using most major Credit or Debit cards at the time of ordering. Should payment by cheque be preferred, a pro-forma invoice will be sent.

All spares are guaranteed for 12 months from the date of purchase. Spares that have been supplied directly from us can be returned within one month from the date of purchase, providing that they are in good order and the packaging is unopened.

**Note!** Returned spares will be subject to a 15% restocking charge and authorisation must be obtained before return. Please contact our Customer Services Team.

**Note!** In the interests of safety, spares requiring exposure to mains voltages should only be fitted by competent persons.

## Service / Repairs

Our Service Force is available to provide a quality service at a reasonable cost. You will have the assurance of a Mira trained engineer/agent, genuine Mira spare parts and a 12 month guarantee on the repair.

Payment should be made directly to the engineer/agent who will accept most major Credit or Debit cards or a cheque supported by a banker's card.

## To Contact Us

England, Scotland, Wales and Northern Ireland

### Mira Showers Customer Services

Telephone: 0870 241 0888, Mon to Fri 8:00 am - 5:30 pm  
Sat 8:30 am - 3:30 pm

E-mail: [technical@mirashowers.co.uk](mailto:technical@mirashowers.co.uk)

Fax: 01242 282595

By Post: Cromwell Road, Cheltenham,  
Gloucestershire, GL52 5EP

## Eire

### Modern Plant Ltd (Dublin)

Telephone: 01 459 1344, Mon to Fri 9:00 am - 5:00 pm

E-mail: [sales@modernplant.ie](mailto:sales@modernplant.ie)

Fax: Dublin 01 459 2329

Post: Otter House, Naas Road,  
Clondalkin, Dublin 22



5 013181 046243 >

Mira is a registered trade mark of  
Kohler Mira Limited.

The company reserves the right to alter  
product specifications without notice.

[www.mirashowers.co.uk](http://www.mirashowers.co.uk)

**mira**  
SHOWERS



FM 14648