

Mira 1.5 bar Twin Ended Pump  
Mira 2.0 bar Twin Ended Pump

Installation and User Guide

THESE INSTRUCTIONS ARE TO BE LEFT WITH THE USER

# CONTENTS

<b>IMPORTANT SAFETY INFORMATION</b> .....	<b>3</b>
WARNING! .....	3
CAUTION! .....	4
<b>INTRODUCTION</b> .....	<b>4</b>
<b>DESCRIPTION</b> .....	<b>4</b>
<b>APPLICATION</b> .....	<b>5</b>
Storage .....	5
Guarantee .....	5
<b>PACK CONTENTS</b> .....	<b>6</b>
Documentation .....	6
<b>DIMENSIONS</b> .....	<b>7</b>
<b>SPECIFICATIONS</b> .....	<b>8</b>
<b>INSTALLATION</b> .....	<b>10</b>
Pump Location .....	10
Plumbing - push-in connectors .....	15
Fitting the Hose to Pipework .....	15
Fitting the Hose to Pump .....	16
Plumbing Connections .....	17
Electrical .....	18
Electrical Connection .....	18
Connecting the Supply Lead .....	18
Earthing .....	19
<b>COMMISSIONING</b> .....	<b>20</b>
<b>FAULT DIAGNOSIS</b> .....	<b>21</b>
<b>MAINTENANCE</b> .....	<b>24</b>
General .....	24
Cleaners, Disinfectants and Descalents .....	24
<b>DECLARATION OF CONFORMITY</b> .....	<b>25</b>
<b>CUSTOMER SERVICE</b> .....	<b>BACK COVER</b>

# IMPORTANT SAFETY INFORMATION

## WARNING!

1. Products manufactured by us are safe and risk free, provided that they are installed, used and maintained in good working order, in accordance with our instructions and recommendations.
2. Children should be supervised to make sure that they do not play with the appliance.
3. This appliance is not intended for use by persons (including children) with reduced physical, sensory or mental capabilities, or lack of experience and knowledge, unless they have been given supervision or instruction concerning the use of the appliance by a person responsible for their safety.
4. Isolate the electrical and water supplies before commencing installation. The electricity must be turned off at the mains and the appropriate circuit fuse removed, if applicable.
5. **THIS APPLIANCE MUST BE EARTHED. MAKE SURE SUPPLEMENTARY BONDING COMPLIES WITH THE "REQUIREMENTS FOR ELECTRICAL INSTALLATIONS" BS 7671.**
6. This appliance is intended to be permanently connected to the fixed electrical wiring of the mains system.
7. This appliance must be provided with means for disconnection that is incorporated into the fixed wiring in accordance with the relevant local wiring regulations.
8. A separate, permanently connected supply to the appliance must be through a double-pole switch, which has at least 3 mm contact separation.
9. Make sure all electrical connections are tight, to prevent overheating.
10. **DO NOT** switch on the electrical supply until the plumbing has been completed.
11. **DO NOT** switch on if there is a possibility that the water in the appliance is frozen. Allow the appliance to thaw and check for leaks before using.
12. **DO NOT** operate this appliance if water leaks from the unit.
13. In the interests of electrical safety, a 30 mA Residual Current Device (RCD) is recommended as part of the electrical circuit. This may be part of the consumer unit or a separate unit.
14. The supply cable is not designed to be replaced. If the supply cable is damaged contact Mira Customer Services department for guidance.
15. If any of the following conditions occur, isolate the electricity and water supplies and refer to "**To Contact Us**", on the back cover of this guide:
  - 15.1. If the pump body or electrical cover is damaged.
  - 15.2. If the appliance begins to make an odd noise, smell or smoke.
  - 15.3. If the appliance shows signs of a distinct change in performance, indicating a need for maintenance.
  - 15.4. If the appliance is frozen.

## CAUTION!

1. Read all of these instructions and retain this guide for later use.
2. Follow all warnings, cautions and instructions contained on the appliance.
3. **DO NOT** fit the appliance where it may be exposed to freezing conditions.
4. The appliance is not suitable for areas with high humidity (i.e. steam rooms).
5. The electrical installation must comply to "BS 7671 (commonly referred to as the IEE Wiring Regulations) and all relevant building regulations, or any particular regulations or practices specified by the local electricity supply company.
6. The plumbing installation must comply with all national or local water regulations and all relevant building regulations, or any particular regulation or practice specified by the local water supply company.
7. To avoid damage to the appliance when soldered fittings are used, pre-solder the pipework and fittings before connecting them to the flexible hoses.
8. To make sure the appliance and supplied fittings are not put under strain during installation, always provide mechanical support when making plumbing connections. Upon completion of the installation, make sure the connections are not under any stress due to misaligned pipework or electrical cables.
9. **DO NOT** commission this appliance if water leaks from the pump or flexible hoses.
10. **DO NOT** run the pump dry.
11. There are no serviceable components within this appliance.
12. When this appliance has reached the end of its serviceable life, it should be disposed of in a safe manner, in accordance with current local authority recycling, or waste disposal policy.

## INTRODUCTION

Thank you for purchasing a quality Mira product. To enjoy the full potential of your new product, please take time to read this guide thoroughly, having done so, keep it safe for future reference.

## DESCRIPTION

### **Mira 1.5 bar Twin Ended Pump**

### **Mira 2.0 bar Twin Ended Pump**

An electric motor driven twin ended peripheral pump complete with an automatic control system, consisting of flow switches and electronic controls.

# APPLICATION

Mira twin ended pumps are designed for pressure boosting applications in vented stored water systems, inlet pressures to the pump and ambient temperatures must not exceed the values given in the technical specifications. (See "**SPECIFICATIONS**".)

## Storage

If the pump is not to be installed immediately on receipt, make sure that it is stored in a dry, frost free and vibration free environment in its original packaging.

## Guarantee

For **domestic installations**, Mira Showers guarantee the **Mira 1.5 bar Twin Ended Pump** and the **Mira 2.0 bar Twin Ended Pump** against any defect in materials or workmanship for a period of **two years** from the date of purchase.

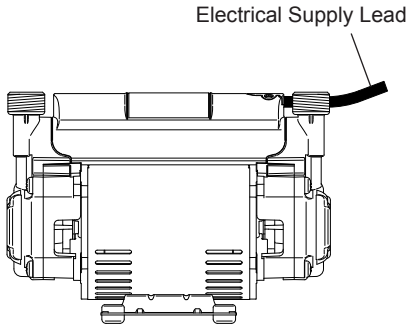
For Terms and Conditions refer to the back cover of this guide.

Recommended Usage	
Domestic	✓
Light Commercial	✗
Heavy Commercial	✗
Healthcare	✗

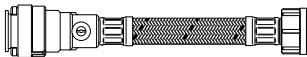
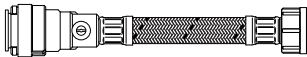
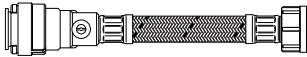
If you experience any difficulty with the installation or operation of your new appliance, then please refer to "**FAULT DIAGNOSIS**", before contacting Mira Showers. Our contact details can be found on the back cover of this guide.

# PACK CONTENTS

Check the contents of the pack and tick the appropriate boxes to familiarise yourself with the part names and to confirm that all parts are included.



1 x Mira 1.5 or 2.0 bar  
Twin Ended Pump   
(only one supplied)



4 x Flexible Hoses



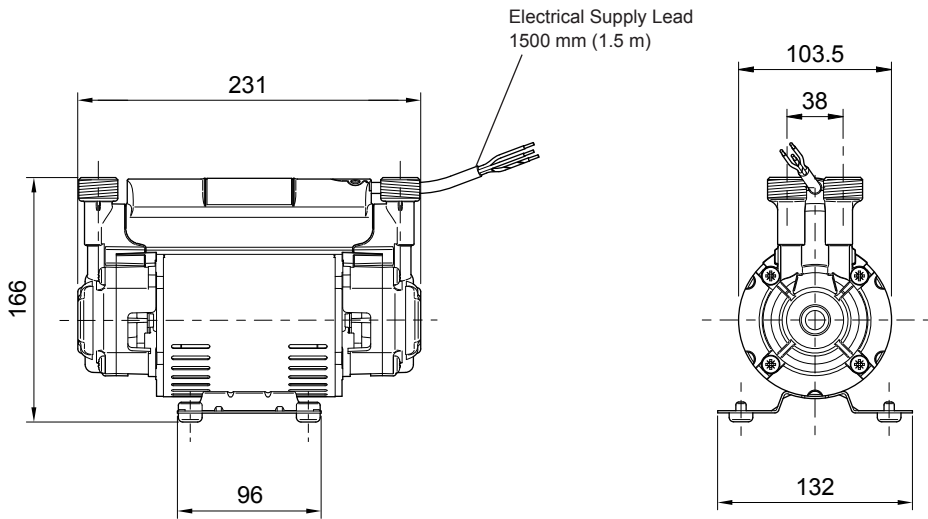
4 x Sealing Washers

## Documentation

1 x Installation and User Guide

1 x Customer Support Brochure

# DIMENSIONS



All dimensions are nominal and in millimetres

**Fig. 1**

# SPECIFICATIONS

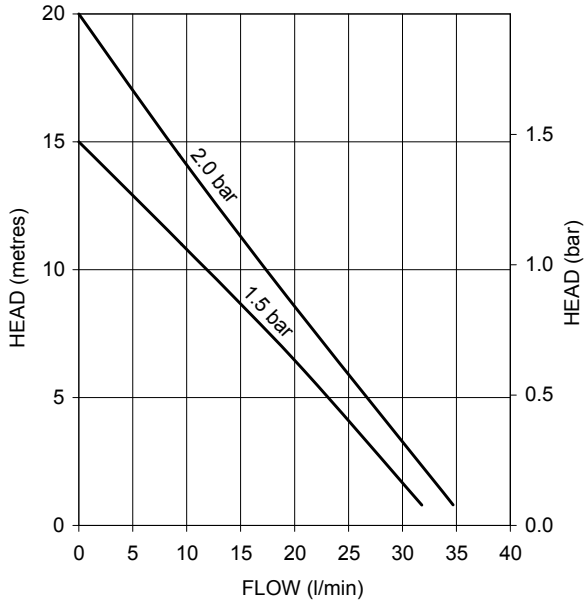
Pump Model	1.5 bar	2.0 bar
<b>Pressures</b>		
Minimum Inlet Pressure	5 kPa (0.05 bar) = 0.5 m	
Maximum Static Pressure	100 kPa (1 bar) = 10 m	
Supply Pressure Differential	Nominally Equal	
<b>Temperatures</b>		
Maximum Water Temperature *	65 °C	
Minimum Water Temperature	4 °C	
Maximum Ambient Temperature	40 °C	
<b>Electrical</b>		
Power Supply (Volts/phase frequency)	230 V / 50 Hz	
Protection Rating	IPX2	
Type of Motor	Induction	
Power Consumption	385 W	420 W
Full Load Current	1.7 A	1.8 A
Rating	Int (S3) 30 mins on/30 mins off @ 9 l/min (Both ends pumping)	
Maximum Number of Starts Per Hour	60	

\* In normal circumstances the temperature of stored water should never exceed 65 °C. A stored water temperature of 60 °C is considered sufficient to meet all normal requirements and will minimize the build up of scale in hard water areas.

**Note:**

These specifications are to be used in conjunction with the rating label attached to the pump.

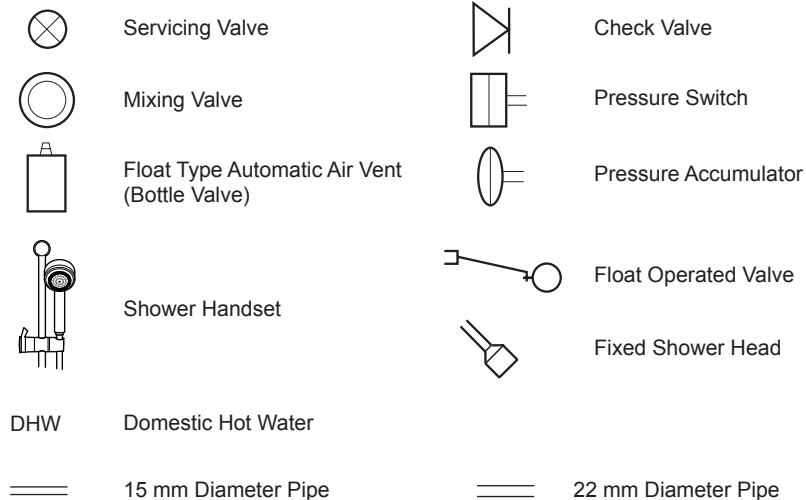




**Mira 1.5 & 2.0 bar Twin Ended Pumps Performance Graph**

# INSTALLATION

Key to symbols used in the system layouts:



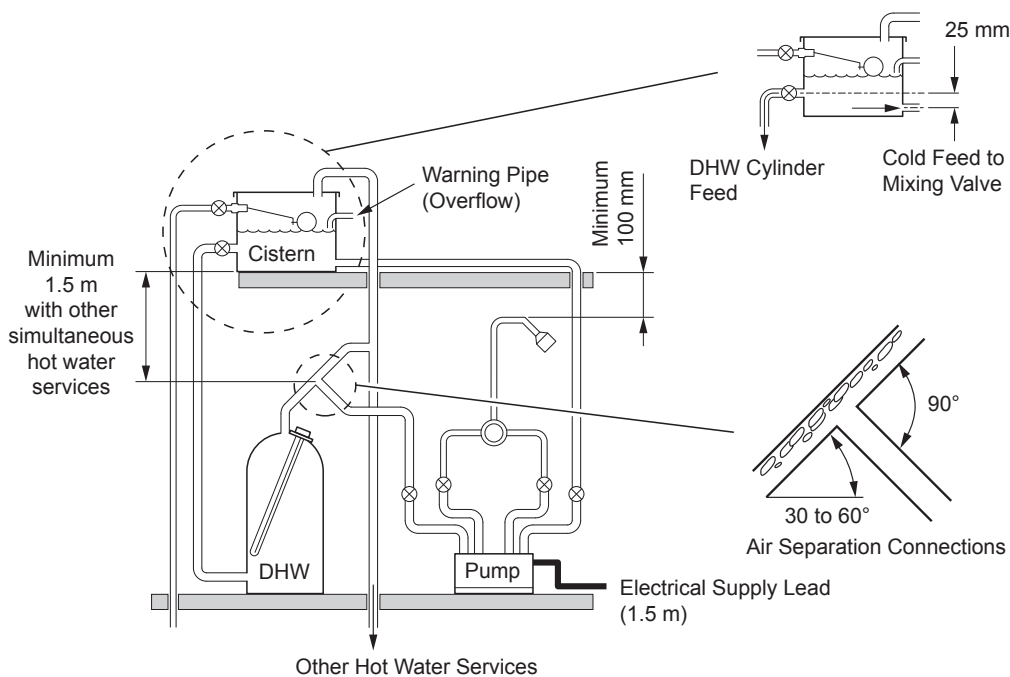
Installation must be carried out in accordance with these instructions, and must be conducted by designated, qualified and competent personnel.

## Pump Location

1. The preferred pump location is at floor level next to the hot water cylinder or a level that is below the tapping that feeds the pump. This will ensure access to an air free water supply which is important for the pump to operate reliably. (See Fig. 2.)
2. The pump must NOT be located where the static inlet pressure is greater than permitted and within the values given. (See Fig 3 & 4 and 'SPECIFICATIONS' or rating label attached to the pump.)
3. Water pumps can develop leaks and should, therefore, not be located where seepage may go undetected or cause damage. The pump must be installed such that it is accessible for servicing or removal. When servicing or disconnecting, small amounts of water may drain from the unit and pipework.
4. Take care to protect the pump from frost and freezing, particularly when located in an unheated area.
5. Make sure adequate ventilation is provided (minimum clearance of 80 mm around all sides of the pump). The pump should be installed in a low dust area.
6. The motor casing can become very hot under normal operating conditions. Make sure the pump cannot be touched during operation. If

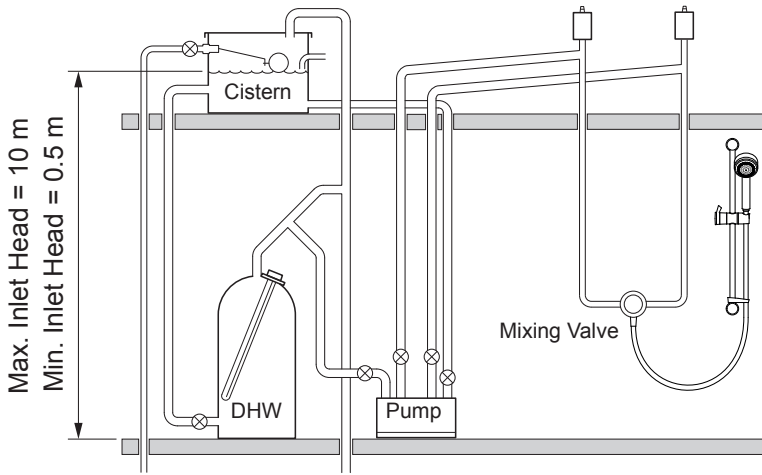
installed in an airing cupboard, make sure no fabrics come in contact with the pump.

7. Location must be **DRY** and **FROST FREE** and **NOT EXPOSED TO WATER SPRAY**.
8. The pump must be sited as low and as close as possible in relation to the water source and mounted in a horizontal position with the outlet connection vertically upwards. The operation of the flow switch will be impaired in any other position. Do not rigidly secure the pump to the mounting surface.
9. The pump must have a minimum flooded suction head of 0.5 metres at all times.
10. The pump must be installed in a positive head position, a gravity flow of approximately 1.0 l/min is required from the highest outlet. This is normally achieved with a static head of 100 mm from the base of the header tank to the highest position of the shower fitting. (See Fig. 2.)



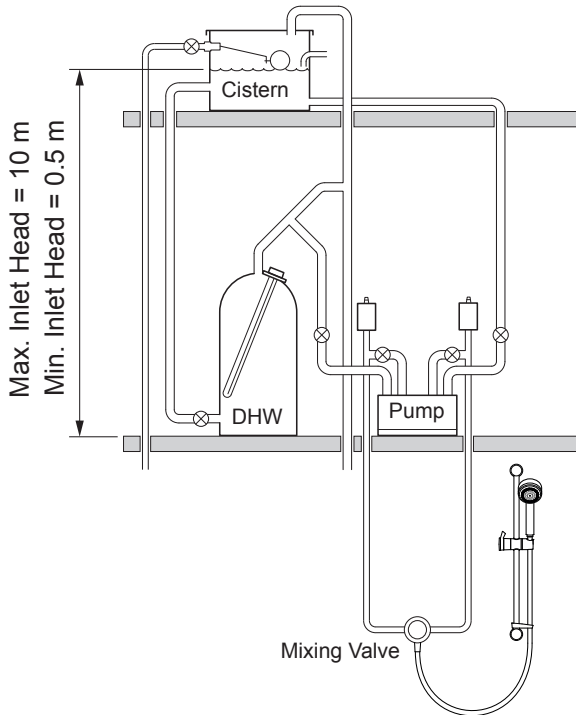
**System Layout for Mira Twin Ended Pump**

**Fig. 2**



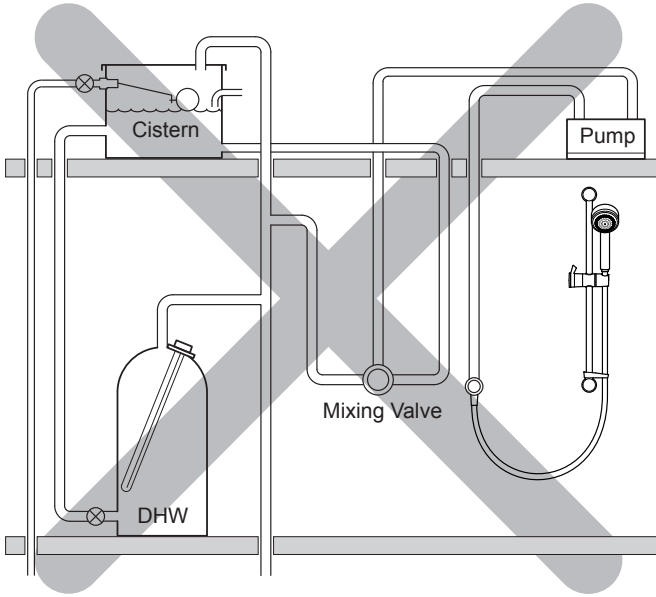
**System Layout for Mira Twin Ended Pump**

**Fig. 3**

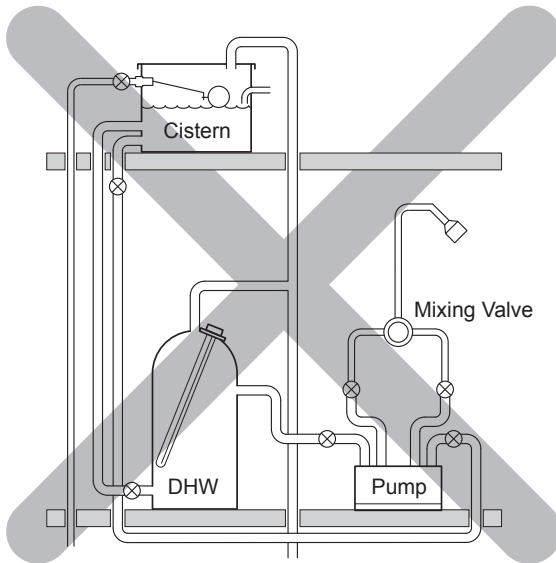


**System Layout for Mira Twin Ended Pump**

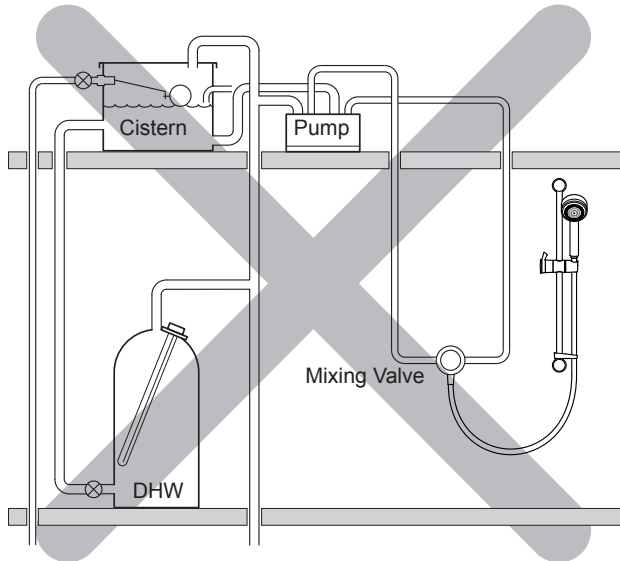
**Fig. 4**



**Unsuitable Layout for Mira Twin Ended Pump**  
**Fig. 5**



**Unsuitable Layout for Mira Twin Ended Pump**  
**Fig. 6**



**Unsuitable Layout for Mira Twin Ended Pump**

**Fig. 7**

11. The anti-vibration mounting feet and flexible hoses are supplied to reduce noise transmission, the flexible hoses supplied may be bent to an angle of 30° Max. (See Fig 10.) Make sure that any noise is not amplified through loose panels, pipework or other fixtures and fittings in close proximity.
12. Either end of the pump is suitable for hot or cold water.
13. Do not fit a non-return valve in suction line (inlet) pipework to the pump. The pump must be free to vent to the supply tanks at all times.
14. Avoid long pipe-runs and make sure pipework is adequately sized for the minimum flow demand.
15. Pipework configurations which can allow air locks to form should be avoided. For inlet pipework, this should be achieved by utilising pipe-runs with a continuous fall. For outlet pipework, either provide a continuously rising pipe-run, or if an "up and over" pipe-run is unavoidable, fit a float type automatic air vent at the highest point as shown (See Fig 3 & 4).
16. The hot feed from the cylinder must be as illustrated in Fig 2. Side entry cylinder bosses are not recommended. A drop in cylinder water level could expose a top entry immersion element. Air in water gathers at the edge of the cylinder, and in the centre, during the heating process, before travelling up the vent.
17. Care should be taken when using soldering flux. Protect the pump from damage whilst making soldered connections as some fluxes cause damage to plastic components.
18. All connection pipework must be adequately supported.

19. Do not rigidly secure pump unit to the mounting surface.

## Plumbing - push-in connectors

1. Do not use stainless steel, chrome or nickel plated pipe with the flexible hose push-in plumbing connections.
2. Do not introduce solder flux into the joint or surrounding area as connectors will be attacked and may fail.  
All solder joints should be completed and flux residues removed before final connection to push-in connections, on the flexible hose.
3. Do not allow contact with oil or cellulose based paints, paint thinners or strippers, acid based descalents or aggressive cleaning agents.
4. Flush all pipework thoroughly before connecting to the pump.

## Fitting the Hose to Pipework

The hoses are fitted with plastic push-in connectors, which must only be connected with the following:

- a) 15 mm diameter copper pipe to BS EN 1057 - R250 (half hard) - Table 3.
- b) 15 mm plastic pipe to BS 7291 part 1 and part 2 (Table 1), or part 3 (Table 1) plus internal support sleeve\*.
- c) Appropriate plumbing fitting that provides a leak tight connection.

\* The internal bore of the plastic pipe must be supported against collapse with the pipe manufacturer's recommended support sleeve (pipe insert).

5. Make sure the pipe is free from all scoring marks and deformities in the area of the insertion depth (see Fig. 8) and cut the pipe square, removing all burrs and sharp edges to prevent damage to the sealing 'O'-ring.

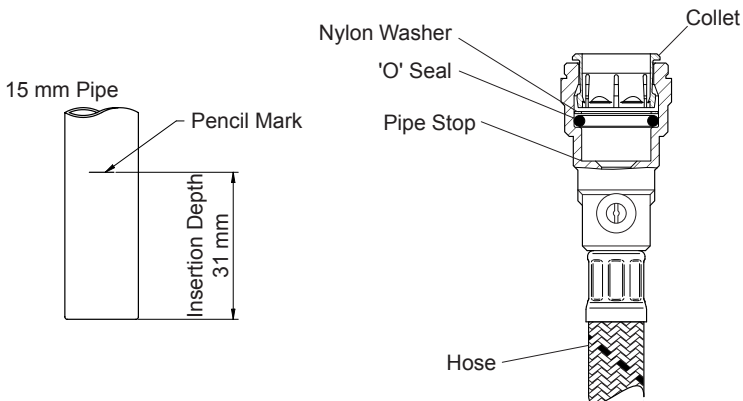


Fig. 8

6. Prior to inserting the pipe, mark the insertion depth with a soft pencil at a distance of 31 mm from the end to be inserted (see Fig 8).
7. Check in the mouth of the fitting that the 'O'-ring, nylon washer and collet are in position as shown (see Fig. 8).
8. Push the pipe firmly into the fitting, until the pencil mark is level with the top of the collet. At the same time the pipe should hit the internal stop inside the fitting.
9. To release the joint, push pipe firmly into the fitting, hold the collet down and gently remove the pipe. If the system has been filled with water, care should be taken to isolate the pump and towels used to absorb any spilled water.
10. Make sure that any pipework that could become frozen is properly insulated.

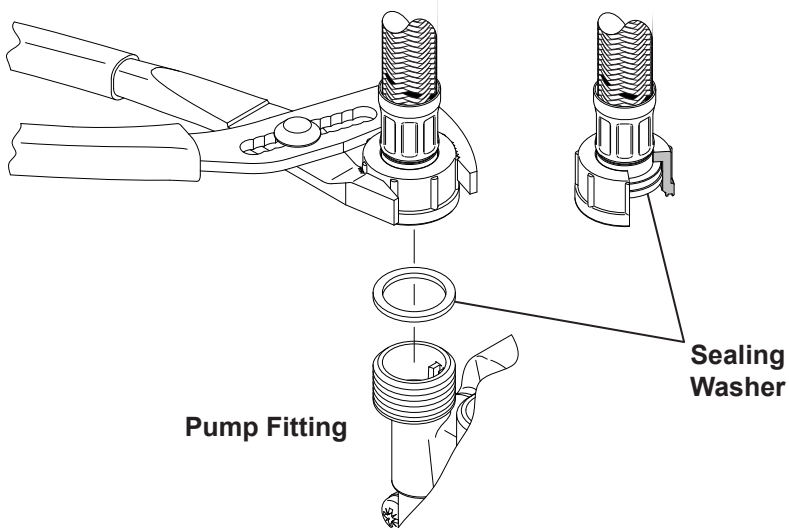
## Fitting the Hose to Pump

The pump inlet and outlet ports have factory assembled fittings which are specifically designed for connection to the G  $\frac{3}{4}$  female captive nut on the flexible hoses.

The hose end is fitted with a rubber sealing washer which is held captive within the nut assembly.

11. Locate the hose into position and screw the nut fully onto the pump fitting by hand. Use a spanner or appropriate grip tool to make a water tight seal.

**Do not overtighten!**



**Fig. 9**



# Plumbing Connections

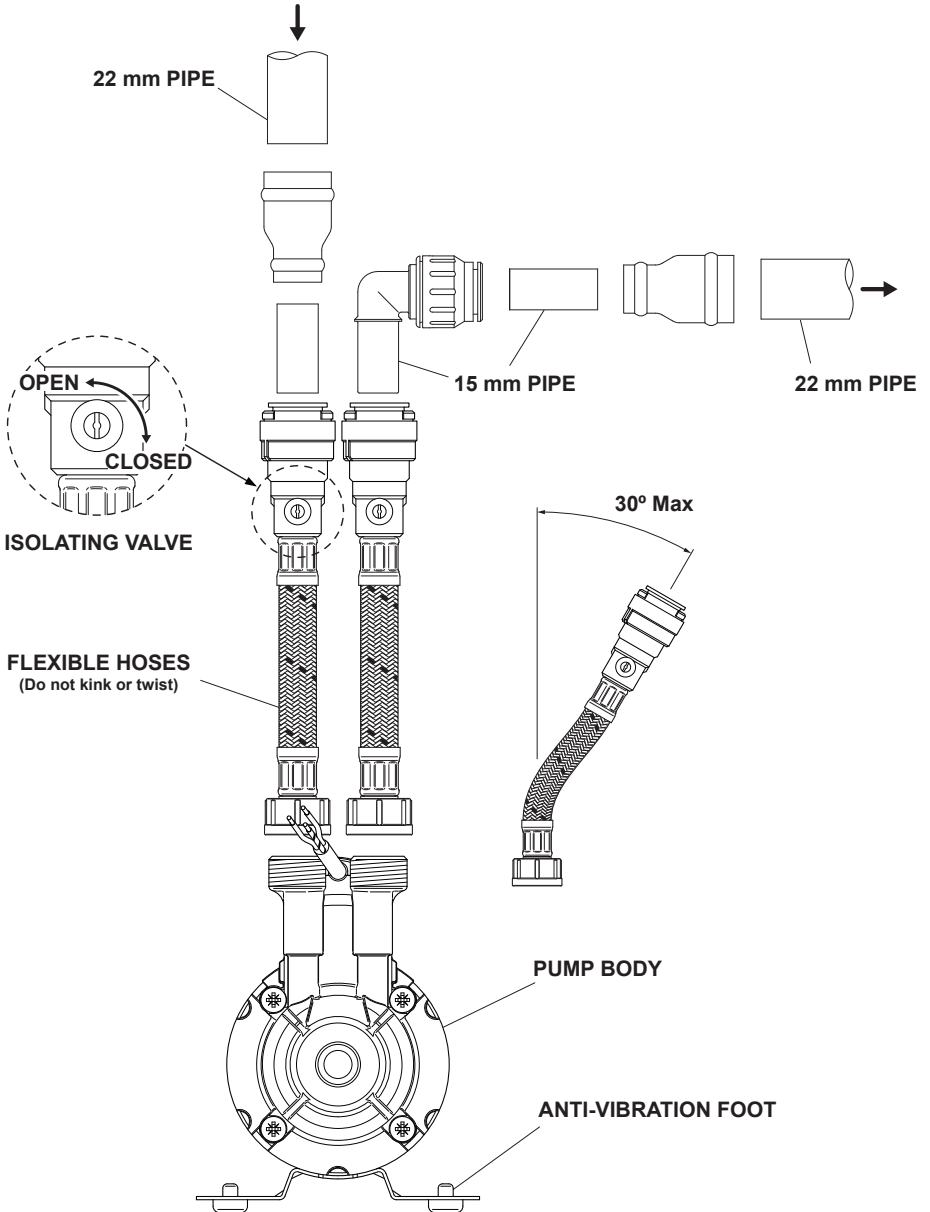


Fig. 10

## **Electrical**

### **Electrical Connection**

The pump is provided with a factory fitted supply cord. This must be permanently connected to the fixed wiring of the mains supply. Means of disconnection must be incorporated in the fixed wiring in accordance with the current electrical wiring regulations. A double poled switched, fuse connection unit is suitable for this purpose. This switch must comply with BS1363-4, protected with a 5 Amp fuse and should be mounted in an easily accessible position. The switch should also be labelled, particularly when located near to any other electrical isolating switches.

- 1. The electrical installation must comply to "BS 7671 (commonly referred to as the IEE Wiring Regulations) and all relevant building regulations, or any particular regulations or practices specified by the local electricity supply company. The installation must be carried out by a competent person.**
- 2. In the interests of electrical safety, a 30 mA Residual Current Device (RCD) is recommended to be installed in the supply circuit. This may be part of the consumer unit or a separate unit.**
- 3. Before starting work on the electrical installation, make sure the power supply is isolated.**
- 4. This appliance must be earthed.**
- 5. The motor and wiring must not be exposed to water.**
- 6. Do not allow the supply cord to come in contact with any hot surfaces, including the motor housing, pump body or pipework. The cord should be safely routed and secured with suitable cable clips.**

### **Connecting the Supply Lead**

- 7. The wires in the supply lead are coloured in accordance with the following code:**

**GREEN/YELLOW = EARTH (⊕)**

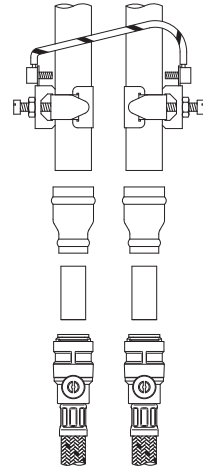
**BLUE = NEUTRAL (N)**

**BROWN = LIVE (L)**

- 8. Make sure all electrical connections are tight, to prevent overheating.**

## Earthing

9. This appliance must be earthed via the supply cord, which must be correctly connected to the earth point located in the terminal box.
10. Copper or metallic pipework must have supplementary earth bonding where the continuity has been broken by flexible hoses or plastic components. Adjacent suction and delivery pipes should be fitted with earthing clamps to BS 951 and connected with earthing wire size 4 mm<sup>2</sup> (see Fig. 11).
11. Certain installations may require additional earthing arrangements such as equipotential bonding. Reference should be made to the relevant regulations concerning this subject to make sure of compliance.



**Fig. 11**

# COMMISSIONING

Commissioning must be carried out in accordance with these instructions, and must be conducted by designated, qualified and competent personnel.

1. **The motor casing can become very hot under normal operating conditions, care should be taken to make sure it cannot be touched during operation.**
2. **The pump chamber must be full of water at all times. Seal damage will result if the pump is allowed to run dry.**
3. **Do not operate the pump with any of the pump inlet and outlet isolating valves in the "OFF" position. Damage to the pump will result.**

Before commissioning the pump, make sure the following points have been observed in the installation:

- **The plumbing system that feeds the pump has been flushed thoroughly.**
- **There is always enough stored water to meet the demand.**
- **The minimum flow rate required to operate the pump is always present. (1 litre/min from the highest outlet.)**

**WARNING! Do Not switch on if there is a possibility that the water in the appliance is frozen.**

4. With the electrical supply isolated, prime the pump by turning on the water supply. Vent the pump by opening an outlet (e.g. shower control). The pump will fill with water, check for any leaks around the pump and hose connections. The pump is primed when water runs from the outlet at gravity pressure.
5. Keeping the outlet open, switch on the power supply to the pump. Pump will start automatically, allow to run until all the air is purged from the outlet.
6. Check the pump, hoses and pipework for leaks.
7. Turn off the outlet, the pump will stop automatically. Operate the outlet to test that the pump starts and stops automatically.
8. Check for further leaks when the pump is both running and stationary.
9. If the pump does not operate, repeat the commissioning procedure and refer to section "**Fault Diagnosis**".
10. Having completed the installation, make sure that the user is familiar with the operation of the appliance.

# FAULT DIAGNOSIS

Symptom	Cause	Rectification
1. Pump does not start.	(a) No power supply.	1. Check all fuses and RCD. Make sure power supply is available at the double pole isolator switch. If fuse "blows" repeatedly, contact <b>Mira Customer Service Dept.</b> Details on the back cover of this guide.
	(b) No/low flow through outlet (tap/shower)	1. Clean the shower head and make sure the flow controls are operating correctly. 2. Check and clean the inlet filters (pump and tap/shower). Refer to outlet manufacturer's installation instructions. 3. Check the system for air locks and recommission the pump, refer to section " <b>Commissioning</b> ". 4. Check the isolating valves are fully open and other restrictions. 5. Check the system has adequate flow rate for the pump to operate, refer to section " <b>Installation</b> ". 6. The flow switch mechanism is sticking. Contact Mira Showers (see back cover) to arrange service visit.
	(c) Internal problem.	1. Contact <b>Mira Customer Service Dept.</b> Details on the back cover of this guide.
The pump has started but stopped within a short period.	(d) Motor thermal switch tripped.	1. Allow the motor to cool, up to 1 hour, refer to symptom 5 (c).
2. The pump operates momentarily when not required.	(a) Flow-switch operating due to water movement in pipework.	1. Air pocket after pump. Make sure plumbing complies with recommended layout (Fig. 2, 3 & 4). 2. Air pocket in the pump supply (hot) expanding due to system heating. Correct the pipework layout to eliminate thermal expansion, fit a single check valve close to and <b>AFTER PUMP OUTLET</b> , refer to

Symptom	Cause	Rectification
		<b>"Note Regarding Check Valves"</b> at end of this section.
3. Pumped flow/ pressure is initially adequate, but reduces after short time.	(a) Water supply fault.	<ol style="list-style-type: none"> <li>1. Check that hot and cold water storage volumes are sufficient for demand.</li> <li>2. Check that all inlet filters (pump and tap/shower) are clean. Refer to relevant outlet manufacturer's installation instructions.</li> <li>3. There is a blockage in the plumbing system. Isolate the pump before removing the blockage.</li> <li>4. Pipework configuration and/or water supply conditions are causing air induction. Make sure plumbing complies with recommended layout (Fig. 2, 3 &amp; 4).</li> </ol>
	(b) Outlet Fitting.	<ol style="list-style-type: none"> <li>1. Check for blockages (tap washers, shower hose/head, etc...).</li> </ol>
4. The pump is noisy in operation.  <b>Note!</b> All pumps generate some noise. Installation conditions may allow this to be amplified.	(a) Installation fault.	<ol style="list-style-type: none"> <li>1. Vibration from the pump body transmitted through reverberant material. Check the pump position and pipework fixings. <b>Note!</b> The pump should be free standing on its rubber feet, and not screwed down. Fit the flexible hoses supplied.</li> <li>2. Fault in the supply to the pump, refer to <b>Symptom 3 (a)</b>.</li> </ol>
	(b) Pump internal mechanism.	<ol style="list-style-type: none"> <li>1. Pump motor fault. Contact Mira Showers (see back cover) to arrange service visit.</li> </ol>
5. The pump switches off while in use.	(a) Power supply fault.	<ol style="list-style-type: none"> <li>1. Check all fuses and RCD. Make sure the power supply is available to the pump.</li> </ol>
	(b) Water supply fault.	<ol style="list-style-type: none"> <li>1. Check the hot and cold water storage volumes are sufficient for the demand.</li> </ol>
	(c) Outlet Fitting.	<ol style="list-style-type: none"> <li>1. Check for blockages (tap washers, shower hose/head, etc...).</li> </ol>

Symptom	Cause	Rectification
	(d) Pump motor thermal switch tripped.	<ol style="list-style-type: none"> <li>1. Allow the motor to cool, up to 1 hour.</li> <li>2. Check the ambient air temperature around the pump does not exceed 40 °C.</li> <li>3. Make sure adequate free ventilation is provided (minimum clearance of 80 mm around all sides of the pump).</li> </ol>
	(e) Further pump motor fault.	<ol style="list-style-type: none"> <li>1. Contact <b>Mira Customer Service Dept.</b> Details on the back cover of this guide.</li> </ol>
6. Leak from the pump housing.	(a) Seal worn/damaged.	<ol style="list-style-type: none"> <li>1. Contact <b>Mira Showers Customer Service Dept.</b> to arrange service visit. Details on the back cover of this guide.</li> </ol>

**Note Regarding Check Valves.** Fitting a check valve is a secondary measure, initially the cause of water surge should be investigated and rectified. The single check valve should be of spring-loaded pattern and fitted in the discharge pipework. This may increase the minimum head pressure required to operate the flow-switch.

# MAINTENANCE

## General

Mira products are precision-engineered and should give continued superior and safe performance. Providing that the pump has been correctly installed and operated as advised in this booklet, difficulties should not arise.

- 1. The water supplies to the pump must be isolated if the product is not to be used for a long period of time. If the pump or pipework is at risk of freezing during this period, they should also be drained of water (e.g. winter holiday).**
- 2. The pump should not be left unused for extended periods of time after being installed. Run the pump with cool water for at least 5 minutes every 4 weeks to prevent scale build up from seizing the internal mechanism. This particularly applies to locations of infrequent use (e.g. guest bathrooms).**

## Cleaners, Disinfectants and Descalents

**Caution!** On installations where chemical disinfectants or descalents are periodically used, the effect to the pump of any chemical solution produced either directly or as a by-product must be considered.

Acid based descalents and aggressive cleaning agents must not come into contact with the pump. The pump must be removed from the system prior to use of such products. The system should be flushed to remove all chemicals before the pump is reconnected.

If there is any doubt as to the suitability of the chemical solution then please contact the manufacturer of the cleaning product for advice prior to use.



# DECLARATION OF CONFORMITY



## DECLARATION OF CONFORMITY

**98/37/EC**

BS EN ISO 12100-1, BS EN ISO 12100-2, BS EN 809

**2006/95/EC**

BS EN 60335-1, BS EN 60335-2-41, EN 50366

**2004/108/EC**

BS EN 55014-1, BS EN 55014-2, BS EN 55022, BS EN 61000-3-2, BS EN 61000-3-3,  
BS EN 61000-4-2, BS EN 61000-4-3, BS EN 61000-4-4, BS EN 61000-4-5, BS EN 61000-4-6,  
BS EN 61000-4-11

IT IS HEREBY CERTIFIED THAT THE STUART ELECTRIC MOTOR DRIVEN PUMP AS  
SERIAL NUMBER BELOW, COMPLIES WITH THE ESSENTIAL REQUIREMENTS OF THE  
ABOVE E.E.C. DIRECTIVES.



RESPONSIBLE PERSON  
AND MANUFACTURER

STUART TURNER LIMITED  
HENLEY-ON-THAMES, OXFORDSHIRE  
RG9 2AD ENGLAND.

Signed .....

Quality Manager

Stuart Turner are an approved company to BS EN ISO 9001:2000

Manufactured on behalf of Kohler Mira by Stuart Turner Ltd, Henley-on-Thames, Oxfordshire RG9 2AD

# NOTES

# NOTES

# CUSTOMER SERVICE

## Guarantee

Your product has the benefit of our manufacturer's guarantee which starts from the date of purchase.

To activate this guarantee, please return your completed registration card, visit our website or free phone 0800 0731248 within 30 days of purchase (UK only).

Within the guarantee period we will resolve defects in materials or workmanship, free of charge, by repairing or replacing parts or product as we may choose.

**This guarantee is in addition to your statutory rights and is subject to the following conditions:**

- The guarantee applies solely to the original installation under normal use and to the original purchaser only. The product must be installed and maintained in accordance with the instructions given in this user guide.
- Servicing must only be undertaken by us or our appointed representative. **Note!** if a service visit is required the product must be fully installed and connected to services.
- Repair under this guarantee does not extend the original expiry date. The guarantee on any replacement parts or product ends at the original expiry date.
- For shower fittings or consumable items we reserve the right to supply replacement parts only.

**The guarantee does not cover:**

- Call out charges for non product faults (such as damage or performance issues arising from incorrect installation, improper use, lack of maintenance, build up of limescale, frost damage, corrosion, system debris or blocked filters) or where no fault has been found with the product.
- Water or electrical supply, waste and isolation issues.
- Compensation for loss of use of the product or consequential loss of any kind.
- Damage or defects caused if the product is repaired or modified by persons not authorised by us or our appointed representative.
- Routine maintenance or replacement parts to comply with the requirements of the TMV 2 or TMV 3 healthcare schemes.
- Products purchased ex-showroom display.

## What to do if something goes wrong

If your product does not function correctly when you first use it, contact your installer to check that it is installed and commissioned in accordance with the instructions in this guide. If this does not resolve the issue, contact our Customer Services Team who will offer you or your installer help and advice. If you experience problems, check in this manual to see if simple home maintenance is required. If you require further assistance call our Customer Services Team.

## Extended Guarantees

A selection of protection plans are available that enable you to cover repair bills for the life of your policy (excludes Eire). Ring 01922 471763 for more details.

## Helpdesk Service

Our Customer Services Team is comprehensively trained and can offer help and advice, spare parts, accessories or a service visit. We will need you to have your model name or number, power rating (if applicable) and date of purchase. As part of our quality and training programme calls may be recorded or monitored.

## Mira Showers Website ([www.mirashowers.co.uk](http://www.mirashowers.co.uk))

From our website you can register your guarantee, download additional user guides, diagnose faults, purchase our full range of accessories and popular spares, refer to our FAQ's and request a service visit.

## Spares and Accessories

We maintain extensive stocks of genuine spares and accessories and aim to provide support throughout the product's expected life. Payment can be made by phone at time of order using most major Credit or Debit cards and we aim to despatch orders within 2 working days. Items purchased from us are guaranteed for 12 months from date of purchase. For safety reasons spares exposed to mains voltages should only be fitted by competent persons.

**Returns** – items can be returned within one month of date of purchase, providing that they are in good condition and the packaging is unopened. Please obtain authorisation from our Customer Services Team before return. We reserve the right to apply a 15% restocking charge.

## Service / Repairs

We have a nationwide team of Service Technicians can carry out service or repair work to your product within the guarantee period and beyond. You have the assurance of a fully trained Technician, genuine spare parts and a 12 month guarantee on any chargeable work done.

Payment should be made directly to the Service Technician who will accept most major Credit or Debit cards.

## To Contact Us

### UK

**Telephone: 0844 571 5000**

E-mail: [technical@mirashowers.com](mailto:technical@mirashowers.com)

Fax: 01242 282595

By Post: Mira Customer Services Dept, Cromwell Road, Cheltenham, Gloucestershire, GL52 5EP

### Eire

**Telephone: 01 459 1344**

E-mail: [sales@modernplant.ie](mailto:sales@modernplant.ie)

Fax: Dublin 01 459 2329

By Post: Modern Plant Ltd (Dublin), Otter House, Naas Road, Clondalkin, Dublin 22

Mira is a registered trade mark of  
Kohler Mira Limited.

The company reserves the right to alter  
product specifications without notice.



FM 14648



SHOWERS