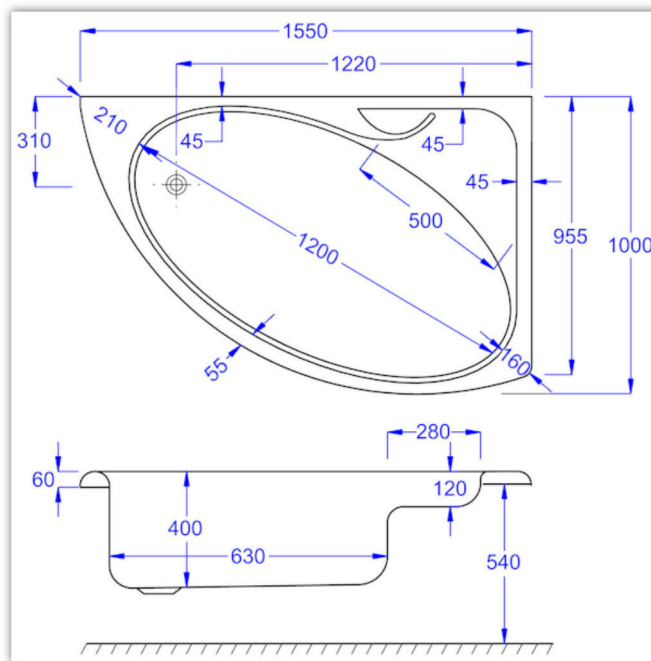


# DOVE

## 1550x950

LEFT HANDED



LEFT HANDED



Carronite



Panel



Whirlpool

### WHIRLPOOL COMPATIBLE

Clenda Systems  
1 & 4

### WATER CAPACITY

190 LTR

This measurement is taken to the overflow.

### KIT REFERENCES

STANDARD - IK-UK-01  
CARRONITE - IK18

Carron Bathrooms Ltd  
North Carron Works, Stenhouse Road, Falkirk, FK2 8UW  
Tel: +44 (0) 1324 638407  
Email: [info@carronbathrooms.com](mailto:info@carronbathrooms.com)