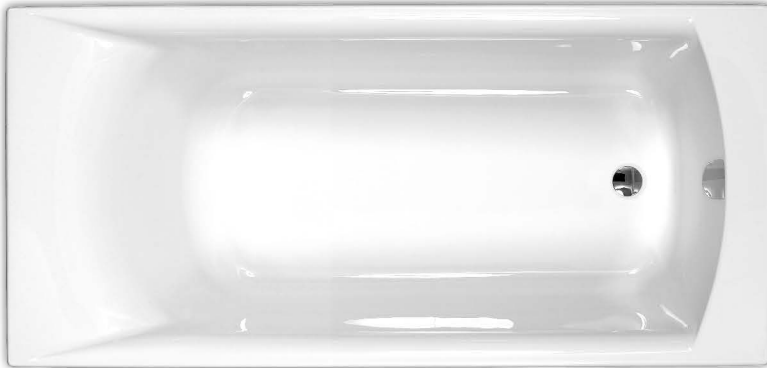


DELTA

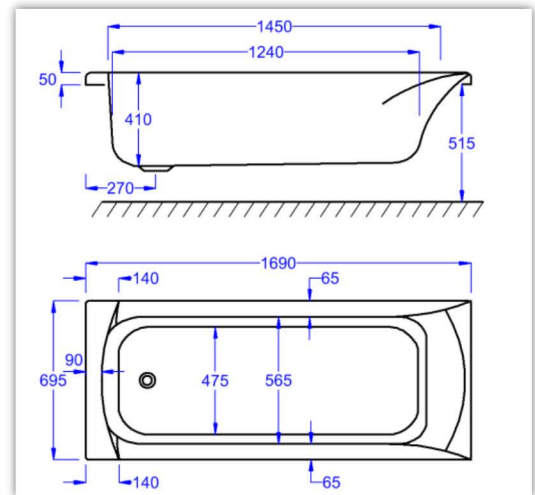
1700x700



BATH ALSO AVAILABLE WITH GRIPS



DELTA GRIP



Carronite



Panel



Hand Grips



Whirlpool

WHIRLPOOL COMPATIBLE

Clenda Systems
1, 2, 3, 4, 5, 6

WATER CAPACITY

170 LTR

This measurement is taken to the overflow.

KIT REFERENCES

STANDARD - AK-01
CARRONITE - AK-01-C

Carron Bathrooms Ltd
North Carron Works, Stenhouse Road, Falkirk, FK2 8UW
Tel: +44 (0) 1324 638407
Email: info@carronbathrooms.com

carron