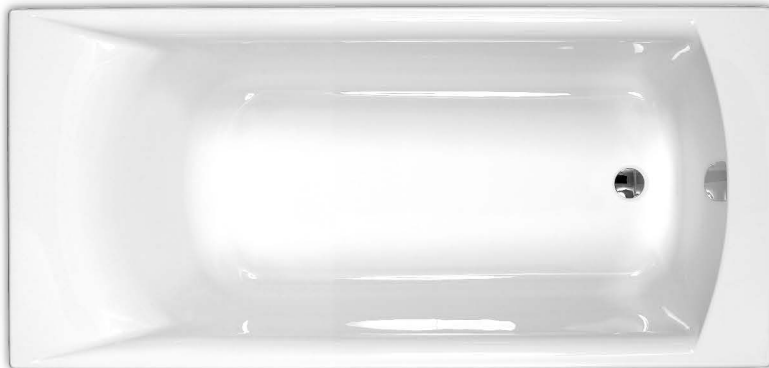


# DELTA

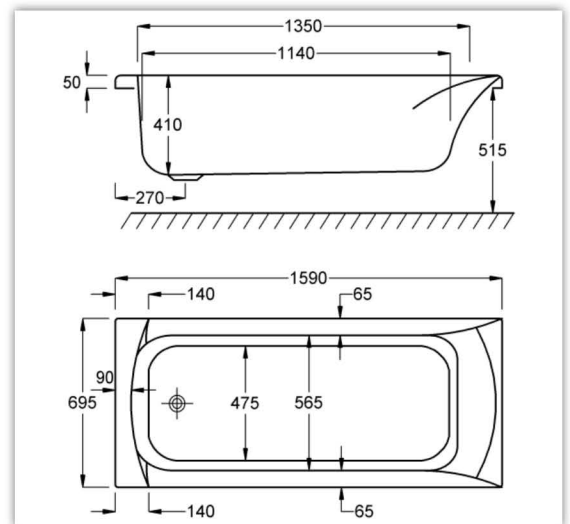
## 1600x700



BATH ALSO AVAILABLE WITH GRIPS



DELTA GRIP



carron



Carronite



Panel



Hand Grips



Whirlpool

### WHIRLPOOL COMPATIBLE

**Clenda Systems**  
1, 2, 3, 4, 5, 6

### WATER CAPACITY

**162 LTR**

This measurement is taken to the overflow.

### KIT REFERENCES

**STANDARD - AK-01**  
**CARRONITE - AK-01-C**

Carron Bathrooms Ltd  
North Carron Works, Stenhouse Road, Falkirk, FK2 8UW  
Tel: +44 (0) 1324 638407  
Email: [info@carronbathrooms.com](mailto:info@carronbathrooms.com)

**carron**