

4.0 COMMISSIONING

DO NOT SWITCH ON HEATER UNTIL IT IS FILLED WITH WATER

- 4.1 Fill with water by opening tap and leaving open until a full bore of water flows from the outlet.
- 4.2 Switch on water heater at double pole isolating switch. The heater will heat water to the temperature set on the thermostat.
- 4.3 Check water is heating correctly.
7 litre 1.2kW - after 10 mins water temperature will increase by 20°C
7 litre 3kW - after 10 mins water temperature will increase by 60°C
10 litre 1.2kW - after 10 mins water temperature will increase by 15°C
10 litre 3kW - after 10 mins water temperature will increase by 40°C
- 4.4 Pass instruction leaflet to user and draw their attention to the following two statements:

DO NOT USE HEATER IF THE WATER IS THOUGHT TO BE FROZEN

Switch off immediately at the isolating switch if the water does not flow freely.

Any damage resulting from freezing will not be covered by the guarantee.

DURING HEATING THE OUTLET WILL DRIP

This is due to the expansion of water inside the heater and is normal for heaters of this type. It does not indicate that the valve is faulty and overtightening of the valve can result in damage.

5.0 FAULT FINDING

Your Aquarius water heater should give you trouble free operation, however, should a problem occur the table below should enable most faults to be identified with ease.

Fault finding should only be carried out by a competent person and any replacement part should be authorised Santon spare parts.

SYMPTOM	PROBABLE CAUSE	ACTION
No hot water	1. Check power	Check and replace as necessary.
	2. Faulty cut out	
	3. Faulty thermostat	
	4. Faulty element	
Water too hot /cold	1. Thermostat set to wrong temperature	Adjust thermostat.
	2. Faulty thermostat	Switch off, check and replace.
No water flow	1. Frozen	Switch off electrical power and allow to thaw at room temperature. Do not switch on again until full water flow restored and full checks made for leaks and electrical safety.
	2. No mains supply	Check mains.
Continuous water flow	Faulty valve/tap	Check and replace.

6.0 SPARE PARTS

In the unlikely event of your Water Heater developing a fault, the following spare parts are available:

Element plate assembly 7/10 litre 1.2kW	95 606 901
Element plate assembly 7/10 litre 3kW	95 606 981
Element plate assembly gasket	95 611 021
Capillary thermostat	95 612 051
Control Valve	95 605 857
Spout (12")	95 604 010
Over temperature cut-out	95 612 050
Top cover moulding	95 614 272
Terminal cover	95 614 273
Adaptor pushfit	95 607 953
Adaptor long	95 607 954
Adaptor o-ring	95 607 955
Fixing fork	95 607 956

7.0 GUARANTEE

This product is guaranteed against faulty materials and manufacture for a period of 2 years from the date of purchase provided that:

The unit has been installed in accordance with the Installation and User Instructions and all relevant Codes of Practice and Regulations in force at the time of Installation, and that all necessary controls and safety valves have been fitted correctly.

Any valves and controls are of the Santon recommended type and specification.

The unit has not been modified or tampered with in any way, and has been regularly maintained as detailed in the Installation and User Instructions.

The unit has been used only for heating potable water.

The unit is not guaranteed against damage by frost, and the inner container with integral immersion heater is not guaranteed against excessive scale build-up.

This Guarantee in no way affects the statutory rights of the consumer.

Santon's policy is one of continuous product development and, as such, we reserve the right to change specifications without notice.

8.0 ENVIRONMENTAL INFORMATION

This product is manufactured from many recyclable materials.

At the end of its useful life it should be disposed of at a Local Authority Recycling Centre in order to realise the full environmental benefits. Insulation is by means of CFC-free polyurethane foam. This product does not contain any substances harmful to health; it does not contain any asbestos.

SANTON

Hurricane Way,
Norwich
Norfolk, NR6 6EA.
www.santon.co.uk

PART OF BDR THERMEA ©2011

Customer Service:

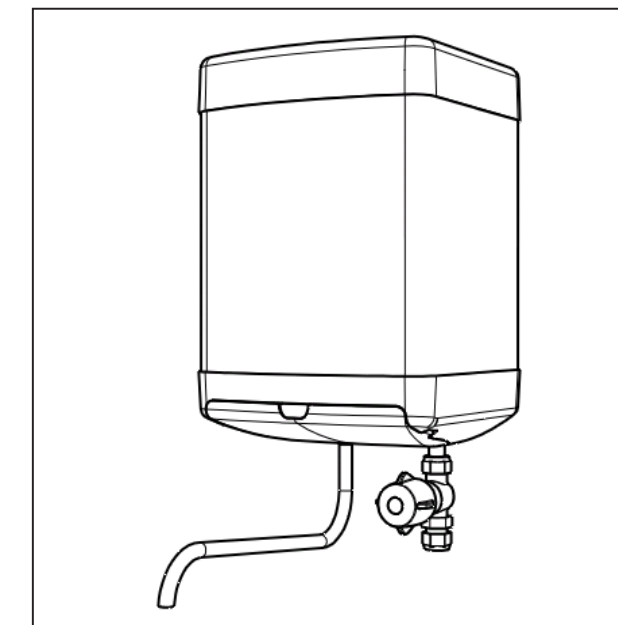
Tel: 0844 8711530

Fax: 0844 8711528

E-mail: santonservice@heateam.co.uk

SANTON

Installation and User Instructions Aquarius Oversink Vented Water Heaters Models: A7/3, A7/1, A10/3, A10/1.



Please read and understand these instructions before starting work.
Please leave this leaflet with the user following installation

PACK CONTENTS

Heater, Fixing screws and plugs, Spout, Valve
Installation and User Instructions and, Guarantee card.

WARNING

This water heater must only be installed by competent persons.

36005792 issue 05

1.0 INTRODUCTION

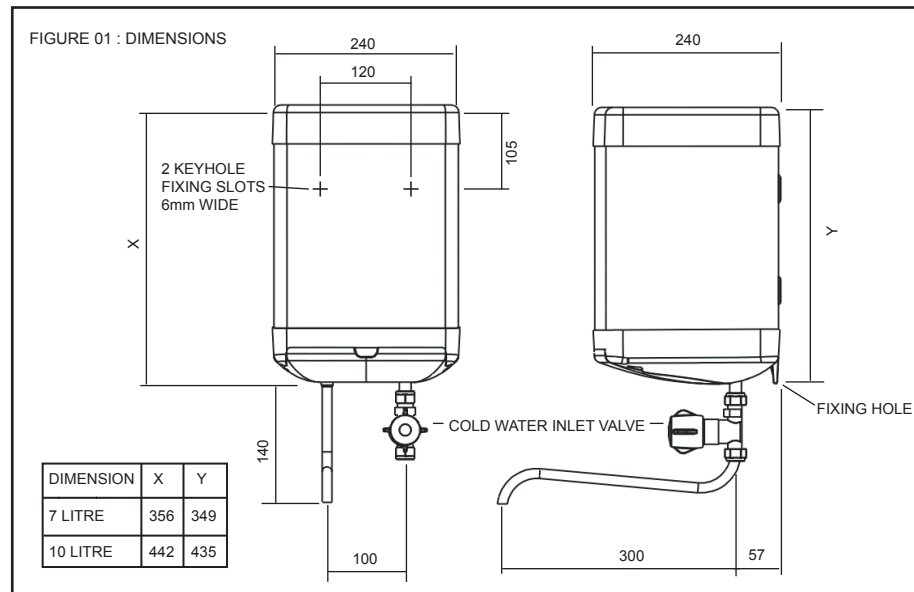
Thankyou for purchasing a Santon Aquarius water heater. The Aquarius water heater is manufactured in the UK to the highest standards and has been designed to meet all the latest relevant safety specifications.

This Aquarius water heater must be installed and commissioned by a competent person. Please read and understand these instructions prior to installing your Aquarius water heater. Particular attention should be paid to section three headed INSTALLATION. Following installation the operation of the heater should be explained to the user and these instructions left with them for future reference.

This appliance is not intended for use by persons (including children) with reduced physical, sensory or mental capabilities, or lack of experience and knowledge, unless they have been given supervision or instruction concerning the use of the appliance by a person responsible for their safety. Children should be supervised to ensure that they do not play with the appliance.

2.0 TECHNICAL SPECIFICATION

Electrical rating.....	1.17/1.2kW@230/240V~
.....	2.75/3.0kW@230/240V~
Capacities.....	7 & 10 litres
Weight (full).....	7 litre - 9.3kg, 10 litre - 12.5kg
Rated Pressure.....	0Mpa (0bar)
Minimum recommended supply pressure.....	Mains fed or cistern fed
.....	(3m head required)
Temperature range.....	10 to 70°C



3.0 INSTALLATION

3.1 LOCATION

- 3.1.1 Inlet must always be on the right.
- 3.1.2 The outlet of this water heater acts as a vent and must not be blocked or restricted in any way.
- 3.1.3 Only use Santon open outlet spouts.
- 3.1.4 The installation must be carried out in accordance with the relevant requirements of:
 - The appropriate Building Regulations either The Building Regulations,
 - The Building Regulations (Scotland) or Building Regulations (Northern Ireland).
 - The Water Fittings Regulations or Water Byelaws in Scotland. THE WATER HEATER
- 3.1.5 Select a suitable site but check that:
 - a) There is enough clearance under the heater to allow removal of the element plate (210mm).
 - b) When using the outlet spout, it will swing over the sink (or sinks) to be supplied.
 - c) There are no hidden services where the wall is to be drilled.
- 3.1.6 Mark the position of the fixing holes (as shown in FIGURE 01).
- 3.1.7 Drill and plug the hole positions.
- 3.1.8 Screw in the top two screws leaving heads 3mm from the wall.
- 3.1.9 Hang the heater on the two top screws.
- 3.1.10 Screw in bottom screw to secure heater.
- 3.1.11 The water heater is designed to be connected directly to the mains via the valve provided.

It is recommended that a WRAS listed isolating valve (not supplied) be fitted in the water supply pipe to the heater to allow for servicing.

- 3.1.12 To remove the terminal cover use a large flat bladed screwdriver to relieve the snaps located towards the front of the terminal cover at either side. Gripping the cover at the front, pull downwards.
- 3.1.13 To fit the cover, locate the hinge at the back. Slide the snaps into place. Apply pressure to the front of the cover pushing it backwards and upwards until it snaps securely in place.

3.2 PLUMBING

- 3.2.1 Connect the control valve supplied to the inlet pipe on the water heater.
- 3.2.2 Connect the cold water main to the control valve using 15mm outside diameter pipe (either copper to BS EN 1057 or stainless steel to BS 4127).
- 3.2.3 Push the outlet spout directly into the outlet fitting.
- 3.2.4 TO REMOVE OUTLET SPOUT
 - a) Remove terminal cover.
 - b) Push white ring upwards towards body of fitting.
 - c) Pull spout downwards.

3.3 ELECTRICAL

- 3.3.1 Warning: this appliance must be earthed. It is suitable for a.c. supply only. Electrical installation must be carried out by a competent electrician and be in accordance with the latest I.E.E. regulations.
- 3.3.2 Nominal cross-section of supply cable must be at least 1.5mm². A double pole isolating switch with a contact separation of at least 3mm in each pole must be incorporated in the supply.
- 3.3.3 Remove the terminal cover.
- 3.3.4 Strip the outer sheath and insulation on the cable to the required lengths, push the cable through the grommet provided, this will be held by the cable grip when the connections are made (see Figure 02).

- 3.3.5 Loosen the top screws securing the cable grip.
- 3.3.6 Pass the cable underneath the cable grip and through the top moulding.
- 3.3.7 Make the connections to the terminal block as follows:
 - Live (brown or red wire) to terminal marked "L"
 - Neutral (blue or black wire) to terminal marked "N"
 - Earth (green or green/yellow wire) to terminal marked \oplus .
- 3.3.8 Secure the cable in the cable grip by tightening the two screws.
- 3.3.9 Set the adjustable thermostat by rotating the control to the required temperature. It is recommended that it is set to lowest acceptable temperature to meet user requirements. This will minimise the risk of scalding and reduce the level of scaling in hard water areas.
- 3.3.10 Replace terminal cover.

