

# ROOM THERMOSTAT

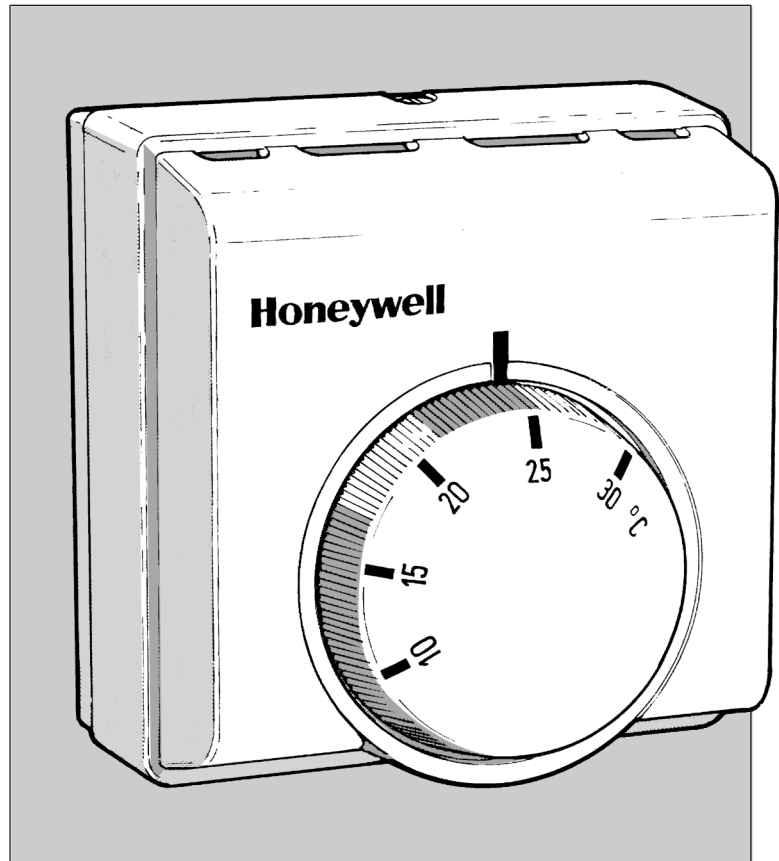
## T6360

### FEATURES

- Dual diaphragm temperature sensing element
- Suitable for surface or switch box mounting
- Heat anticipator for close temperature control
- 10 to 30°C setpoint range
- Change-over contact switching (cooling loads)
- Double insulated

### OPTIONS

- Temperature setback model
- Tamper resistant model
- Model with indicator lamp
- Setting dial marked 1 to 5
- High current rated model
- Range stops



### APPLICATION

The T6360 is a mains voltage Room Thermostat designed to give automatic temperature control of domestic wet central heating systems. It can be used to directly switch a circulating pump or boiler, or to operate spring return and motor open/motor close zone valves. The T6360 can switch electrical heating loads up to 10A.

The T6360 thermostat can also be used for cooling applications.

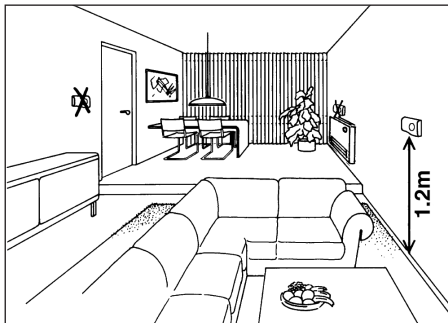
**HEATING CONTROLS**

**Honeywell**

## Installation

The **T6360** thermostat must be located where it is not subjected to extraneous heat gains, direct sunlight or draughts.

Fixing screws are supplied for either surface or flush mounting box.



## Ordering Specification

### T6360B1028

Standard model complete with heat anticipator and RFI suppressor

### T4360B1015

High current rated version with SPST switching and rated at 16A (resistive). Without heat anticipator

### T6360B1069

As standard model but with tamper resistant cover and setting dial

### T6360B1036

As standard model but with indicator lamp on front cover which is lit on a call for heat

### T6360B1085

As standard model but with setting dial marked 1 to 5

### T4360E1018

Model with temperature setback heater (fixed at 6°C) and SPST switching, complete with anticipator heater and RFI suppressor

### F42007562-001

Accessory footprint for use when replacing T6060 thermostats

### F42006646-001

Bag assembly containing 20 range stops and installation instructions

### F42007110-001

Opaque tamperproof dial cover

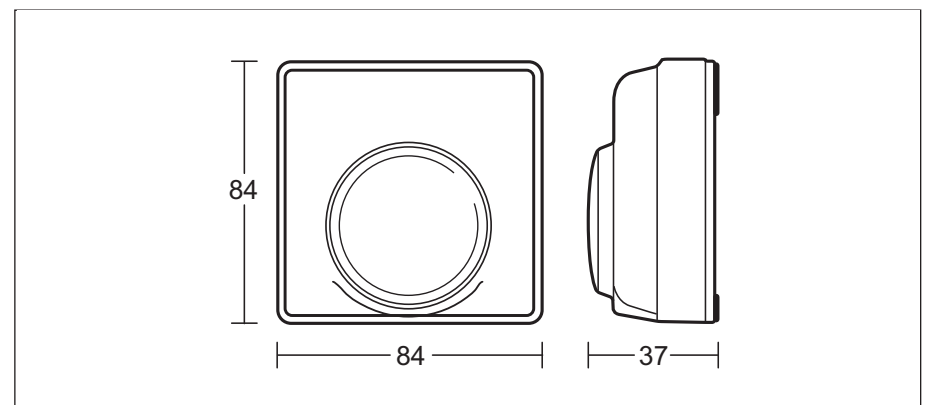
### TG510A1001

Lockable, clear plastic thermostat cover. Backplate and spare keys inc

## Specification

Voltage Rating	: 230VAC, +/-10%, 50...60Hz
Switch Rating	Terminal 3 : 10A resistive, 3A inductive Terminal 4 : 6A resistive, 2A inductive
Switch Type	: Single pole, double throw (SPDT)
Temperature Setting Range	: 10 to 30°C
Temperature Control Accuracy	: ± 0.5°C at 3°K/hour with anticipator
Storage Conditions	: -20 to 55°C
Humidity	: 10 to 90% RH, non-condensing
Standards	: CE marked
EC Directive	: EN60730-1 (1995), EN55014-1 (1997), EN55014-2 (1996)

## Dimensions (mm)



## Wiring

