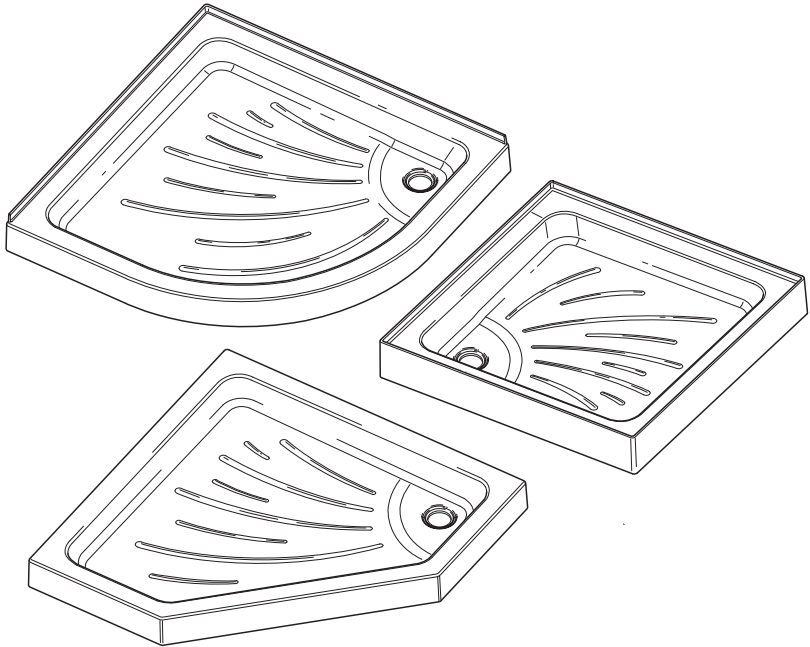


# Mira Flight Shower Tray

## Riser and Non-Riser



These instructions must be left with the user

Installation and User Guide

**mira**  
SHOWERS

# INTRODUCTION

Thank you for purchasing a quality product. To enjoy the full potential of your new shower tray, please take time to read this guide thoroughly, and keep it handy for future reference.

**Important!** The shower trays featured in this manual are available for use as riser and non-riser products.

**Mira Flight Shower Trays** - are available in various shapes and sizes with or without upstands and are all supplied with an 85 mm top access waste and trap.

**Mira Flight Riser Conversion Kit** - comprises of adjustable legs, panels, panel securing clips, corners and optional end pieces. Riser Conversion Kits are available to purchase separately.

**Mira Flight Offset Leg Adaptor Fittings Kit** - for use with the Mira Flight Riser Conversion Kit, the Offset Leg Adaptor allows the installation of pipework behind the adjustable legs. Offset Leg Adaptor Fittings Kits are available to purchase separately (refer to section: '**Accessories**').

**Mira Flight Upstand Tiling Strip** - Upstand Tiling Strips are available to purchase separately (refer to section: '**Accessories**').

## IMPORTANT INFORMATION

- **Important!** The shower trays featured in this manual are available for use as riser and non-riser products.
- The shower waste can cope with a flow rate of up to 25 L/min, with a pipe length of 3 m for 40 mm pipe and 4 m for 50 mm pipe, with a fall of between 18 and 90 mm/m. The flow rate will be reduced with the introduction of bends or T fittings in the waste outlet pipe.
- Carefully unpack and check the tray for colour, size, general acceptability and compatibility with the shower enclosure and other bathroom furniture.
- Check for transit damage and report any faults immediately to your supplier. No claims for the above will be considered after installation.
- Carefully remove all of the blue protective film from the tray for inspection.  
**Caution!** Additional protective coverings such as a dust sheet should then be used to protect the tray from damage from falling objects.
- Place the shower tray on a flat surface and using a spirit level check that it is straight and flat and that the shower cubicle will sit on its surface correctly when fitted.
- Once the waste pipe has been connected pour water into the tray to check the tray and pipe connection for correct drainage prior to final fix and tiling.

- Due to the physical nature of water, small pockets of water may remain on the shower tray after showering. We recommend that both the tray and the enclosure are wiped down with a dry cloth after use.
- We recommend this tray is fitted as part of a fully enclosed cubical. If this tray is fitted as a walk-in installation, it is expected that an amount of water will spill onto the open area of the floor. We would therefore advise fixing a threshold strip to minimize this.
- Fitting this product is acceptance of quality.
- **Notification to designers, installers and users:**  
The majority of all shower trays will show an increase in the potential for slipping, when the surface is wet. This is particularly the case when soap, shampoo, bath oil etc. are used. The Construction Products Directive (89/106/EEC).
- **Warning!** The Mira Flight 760 and 800 variants weigh less than 25 kg and are a **'one-person-lift'**. All other Mira Flight tray variants weigh in excess of 25 kg and will require a **'two-person-lift'**.

## Guarantee

Mira Showers guarantee the Mira Flight Tray against any defect in materials or workmanship for a period of **ten** years from the date of purchase.

For terms and conditions refer to the back cover of this guide.

Recommended Usage	
Domestic	✓
Light Commercial	✓
Heavy Commercial	✘
Healthcare	✓

## Patents

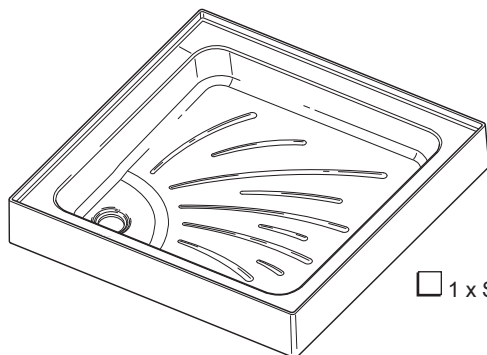
Patent Applications	GB: 0526168 Euro: 1667562
---------------------	------------------------------



# PACK CONTENTS

Tick the appropriate boxes to familiarise yourself with the part names and to confirm that the parts are included.



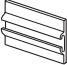
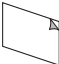


## Square or Rectangular Shower Tray



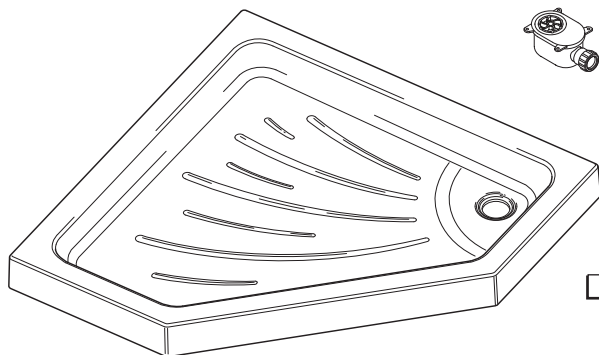
1 x 85 mm Waste

1 x Square or Rectangular Shower Tray

## Square/Rectangular Riser Conversion Kit (if purchased)

Description	Quantity Square or 900 x 760 rectangle	Quantity Rectangle all other rectangles	<input checked="" type="checkbox"/>
Adjustable Legs 	4	6	
Clips 	4	6	
Locators 	4	6	
Sticky Pads 	5	7	
90° Corner 	1	1	
Panels 	2	2	



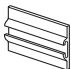
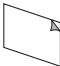


## Pentangle Shower Tray



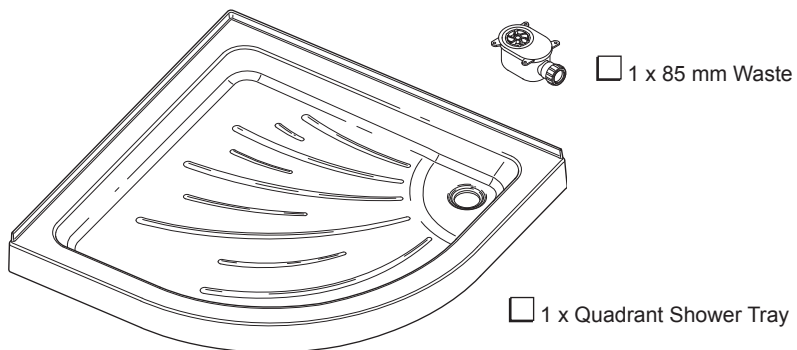
1 x 85 mm Waste



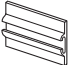
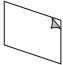


1 x Pentangle Shower Tray

## Pentangle Riser Conversion Kit (if purchased)

Description	Quantity	<input checked="" type="checkbox"/>
Adjustable Legs 	5	
Clips 	5	
Locators 	5	
Sticky Pads 	6	
135° Corner 	2	
Panels 	3	

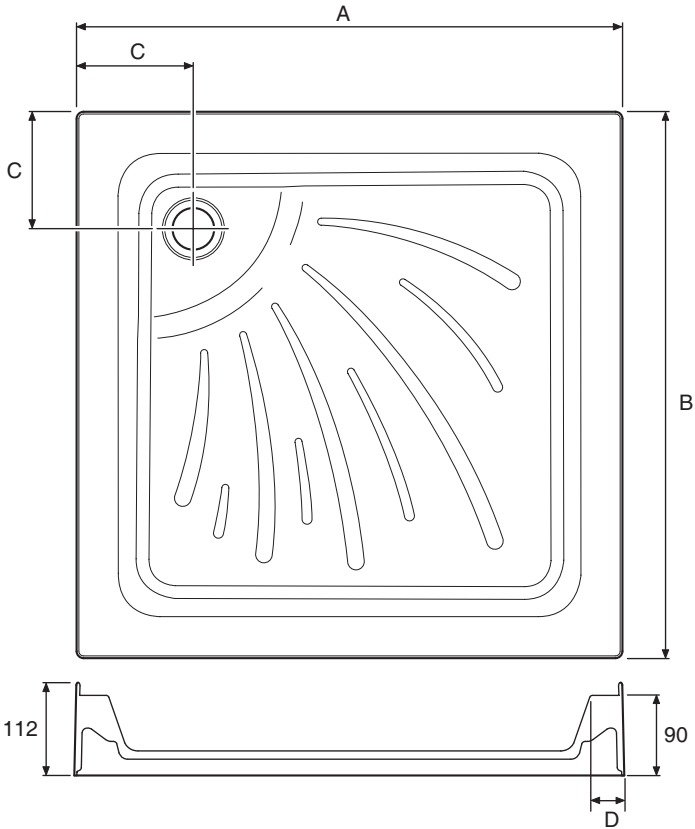
## Quadrant Shower Tray



Description	Quantity	<input checked="" type="checkbox"/>
Adjustable Legs 	4	
Clips 	4	
Locators 	4	
Sticky Pads 	5	
90° Corner 	1	Not Used
Panels 	1	

# DIMENSIONS

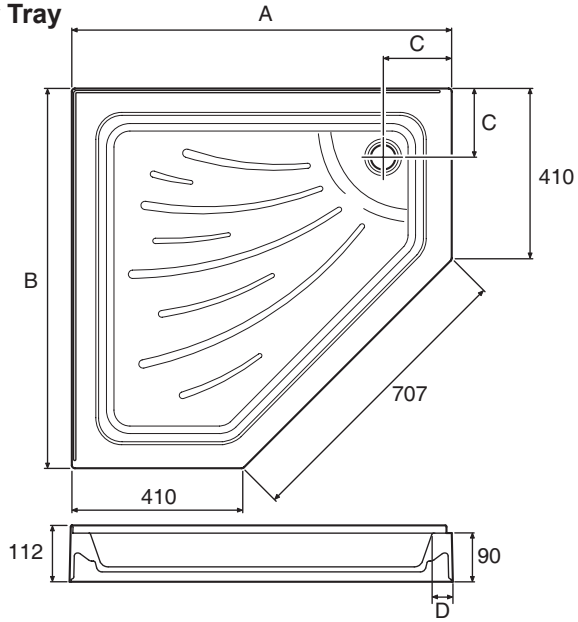
## Square or Rectangular Shower Tray



Flat Top				Legs	Upstand			
A	B	C	D		A	B	C	D
760	760	160	55	4	770	770	165	60
800	800	160	55	4	810	810	165	60
900	900	160	55	4	910	910	165	60
900	760	160	55	4	910	770	165	60
1000	760	160	55	6	1010	770	165	60
1000	800	160	55	6	1010	810	165	60
1200	760	160	55	6	1210	770	165	60
1200	800	160	55	6	1210	810	165	60
1200	900	160	55	6	1210	910	165	60

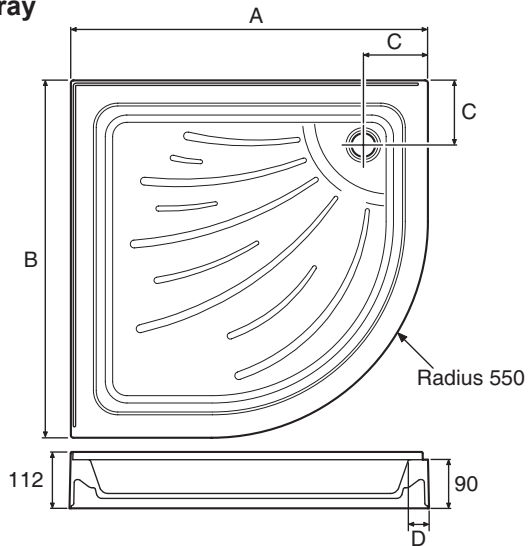
All Dimensions in mm

### Pentangle Shower Tray



Flat Top					Upstand			
A	B	C	D	Legs	A	B	C	D
900	900	160	55	5	910	910	165	60

### Quadrant Shower Tray



Flat Top					Upstand			
A	B	C	D	Legs	A	B	C	D
800	800	160	55	4	810	810	165	60
900	900	160	55	4	910	910	165	60

All Dimensions in mm



# INSTALLATION

Please read these instructions carefully before starting the installation procedure.

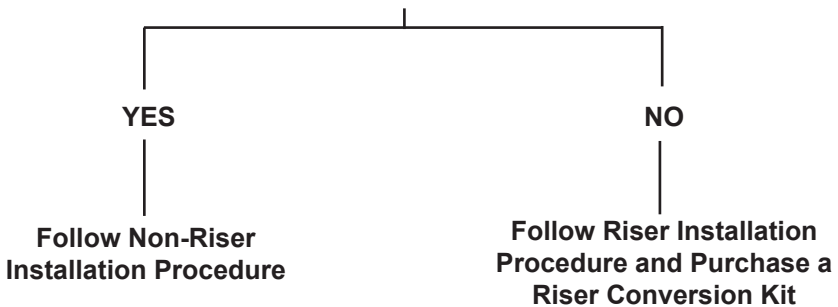
## Important Notes

1. It is recommended that the shower tray is installed before tiling. This will make sure that the tray is rebated into the plaster behind where the tile face will be, thus helping to achieve a watertight joint.
2. With a rebate or partial rebate the amount of adjustment on the enclosure could be affected. Therefore make sure that the enclosure to be fitted has sufficient adjustment to mate with the shower tray.
3. A waste with an 85 mm diameter flange must be used with these shower trays as supplied.

The first step of the installation is to decide whether you need a non-riser or riser installation for your tray. To find out answer these simple questions.

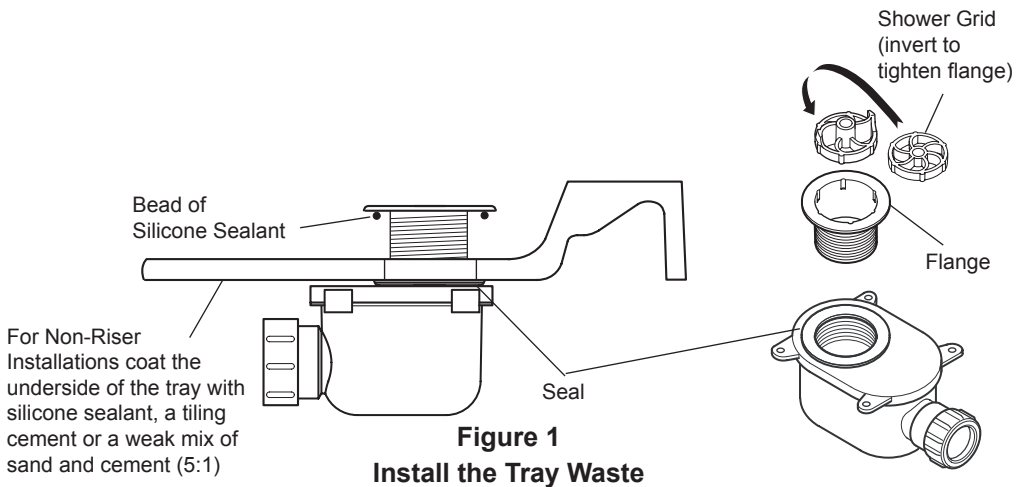
**1. If the floor is out of level by 1/4" (6 mm) or more across the tray length the installation of a riser tray is recommended**

**2. Can a hole be made to fit the waste into the floor/timber/between the joists**



## Non-Riser Installation

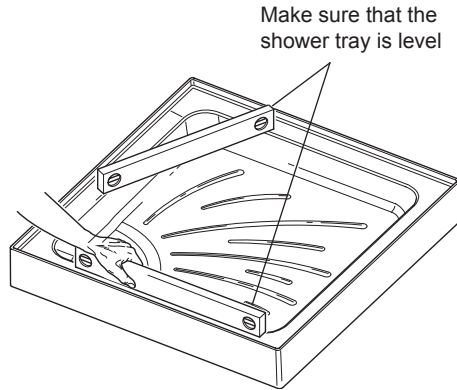
1. Carefully remove all of the blue protective film from the tray for inspection.  
**Caution!** Additional protective coverings such as a dust sheet should then be used to protect the tray from damage from falling objects.
2. Fit the 85 mm top access waste (supplied) to the tray before setting down being careful not to overtighten. Make sure that the seal is in place. Additional beads of silicone sealant must be used (refer to Figure 1).  
**Note!** To tighten, remove the Shower Grid from the Flange and turn it upside down. Locate it into the slots on the flange and tighten in a clockwise direction. Remove and refit the Shower Grid to it's original position.



3. Position the tray up to the walls and rebate into the plaster as required, refer to section: '**Installation, Rebating the Shower Tray**'. Remove the tray from its position.
4. Make sure that the floor is clean, dry, firm and level. Coat the ribbed underside of the tray with silicone sealant, a tiling cement or a weak mix of sand and cement (5:1). Then press down into place ensuring the tray is positioned into rebates.  
**Note!** Where the tray comes into contact with the wall or plaster board surface, apply a liberal amount of silicone sealant before installation. This will help secure the tray in position and reduce any rubbing of the surfaces.

5. Make sure that the tray is level.

**Note!** The bottom of the shower tray has a built in fall to allow for correct drainage. Therefore check the edges of the tray with a spirit level (refer to Figure 2).



**Figure 2**  
**Level the Shower Tray**

6. Connect the waste pipe.
7. Seal the joint between the shower tray and adjoining wall with silicone sealant to provide a secondary seal.
8. The area is now ready for tiling.
9. The 3 mm gap between the tiling and the shower tray **must** be filled with a bead of silicone sealant, refer to section: '**Installation, Rebating the Shower Tray**'.

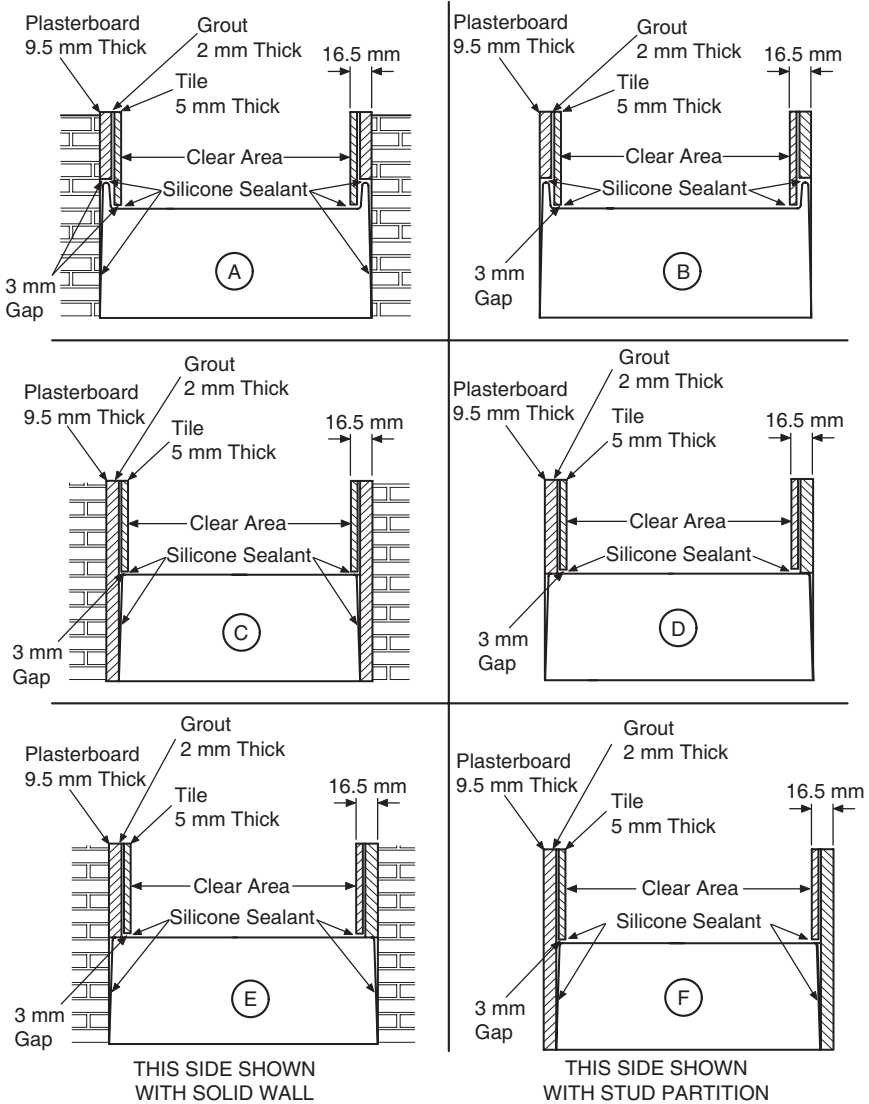
## Riser Installation

1. Carefully remove all of the blue protective film from the tray for inspection. Attention should then be paid to effectively cover the tray to protect from damage.
2. Spots on the adjustable leg mouldings are provided to help set equal heights. Set the adjustable legs to the third spot from the bottom, this will give the initial clearance for the waste supplied.  
**Note!** Do not adjust the legs above the fourth spot as this will be too high to accommodate the riser panel.
3. Fit the adjustable legs into the holes on the back of the tray.  
**Note!** A soft faced mallet can be used to aid installation.
4. Temporarily fit the waste outlet pipework and the trap to the tray. Adjust the height of the feet to give the required clearance.  
**Note!** The feet must be adjusted so that the shower tray does not rock.
5. Position the tray up to the walls and rebate the tray into the plaster (as required), refer to section: '**Installation, Rebating the Shower Tray**'.  
**Note!** Where the tray comes into contact with the wall or plaster board surface, apply a liberal amount of silicone sealant before installation. This will help secure the tray in position and reduce any rubbing of the surfaces.
6. Make sure that the tray is level.  
**Note!** The bottom of the shower tray has a built in fall to allow for correct drainage, therefore check the edges of the tray with a spirit level (refer to Figure 2). If necessary adjust the height of the feet so that the tray is level in all directions.
7. Once the tray is level - tighten the individual lock nuts on the leg sets and check the tray is firm and secure.
8. Tighten the waste being careful not to overtighten. Make sure that the seal is in place, additional beads of silicone sealant must be used (refer to Figure 1).
9. Connect the waste pipe.
10. Seal the joint between the shower tray and adjoining wall with silicone sealant to provide a secondary seal.
11. The area is now ready for tiling.
12. The 3 mm gap between the tiling and the shower tray **must** be filled with a bead of silicone sealant, refer to section: '**Installation, Rebating the Shower Tray**'.

## Rebating the Shower Tray

The figures below provide an indication of the type of typical recommended installation methods. It does not provide a fully detailed description for ALL installation methods / procedures.

To aid installation, optional accessories are available, refer to section 'Accessories'.



Note:- The amount of rebate affects the enclosure size.

**Figure 3**  
**Rebating the Shower Tray**

# BASIC PANEL INSTALLATION

## Square/Rectangle

1. Cut the panel to length.  
**Note!** When cutting to length, make sure that you take into account the amount of panel that goes into the corner connector.  
**Note!** The panel can be cut or shaped to suit the wall profile e.g. skirting board.
2. Remove the backing from one side of each of the pads and stick the pads to back of locators.
3. Slide the locators onto the clips (refer to Figure 4).

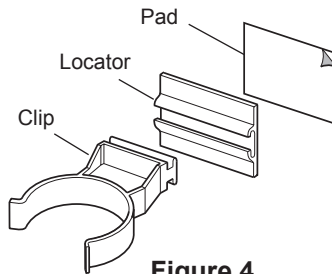


Figure 4

### Assemble the Panel Fixings

4. Slide the clips onto the legs until the bottom edge of the pad is 55 mm from the floor. Where two clips are fitted on one leg, one of the clips can be inverted to allow both pads to be located at the same height.  
**Note!** Make sure that they are parallel to the tray edge (refer to Figure 5).

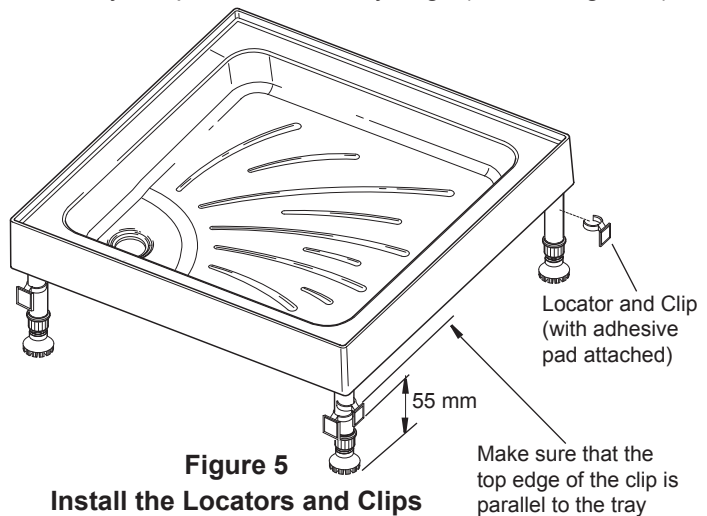
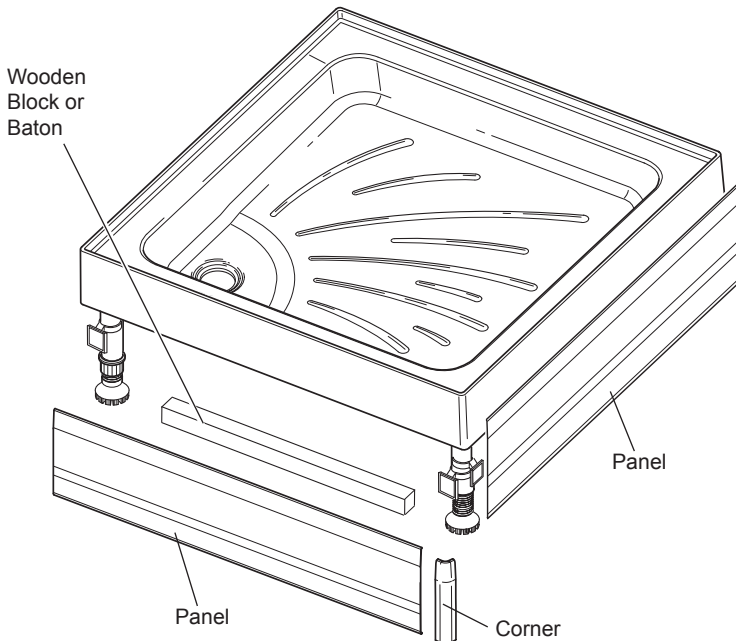


Figure 5

### Install the Locators and Clips

5. Offer up the panel to the tray with the horizontal grooves nearest the floor and make sure that the panel is the correct length.  
**Note!** If extra panel stability is required, secure wooden blocks or batons to the floor along the rear edge of the panel as shown.
6. Remove the backing paper from the sticky pads and remove the protective film from the panel.
7. Starting at the wall end. Offer the panel up to the locator and press firmly. Continue along the panel making sure that it sticks correctly (refer to Figure 6).
8. Fit the corner to the other panel.
9. Fit the corner onto the fixed panel and continue along pressing firmly.
10. Seal the top edge of the panel to the tray wall using a line of silicone sealant.



**Figure 6**  
**Install the Panels**

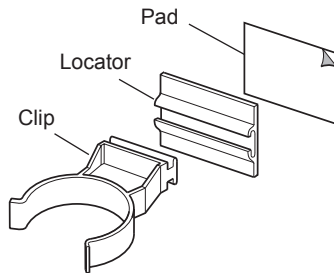
## Pentangle

1. Cut the panel to length.

**Note!** When cutting to length, make sure that you take into account the amount of panel that goes into the corner connector.

**Note!** The panel can be cut or shaped to suit the wall profile e.g. skirting board.

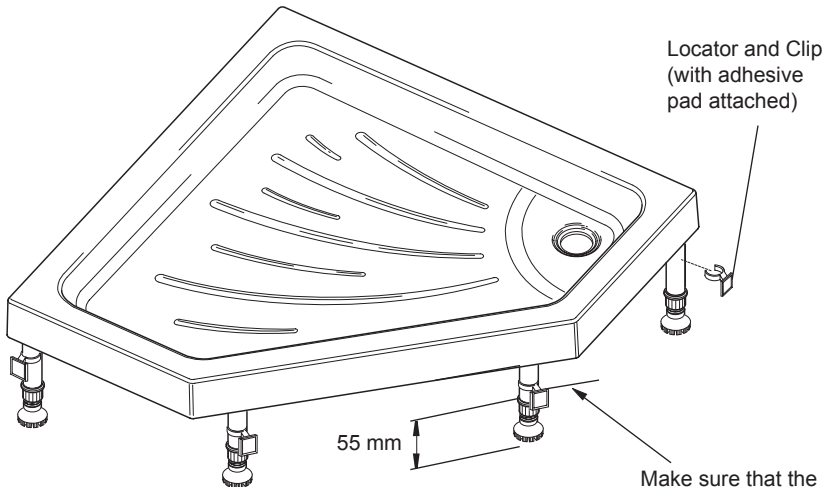
2. Remove the backing from one side of each of the pads and stick the pads to back of locators.
3. Slide the locators onto the clips (refer to Figure 7).



**Figure 7**  
**Assemble the Panel Fixings**

4. Slide the clips onto the legs until the bottom edge of the pad is 55 mm from the floor.

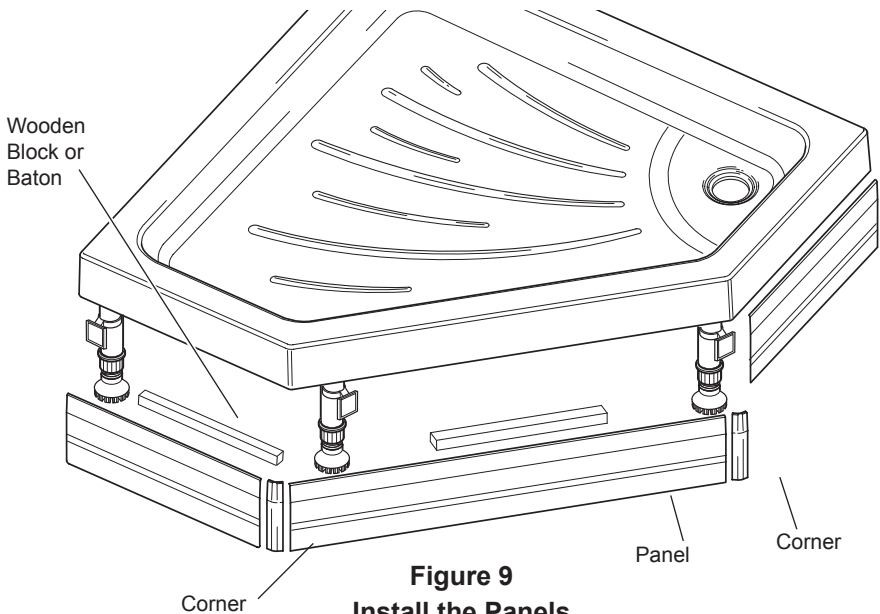
**Note!** Make sure that they are parallel to the tray edge (refer to Figure 8).



**Figure 8**  
**Install the Locators and Clips**



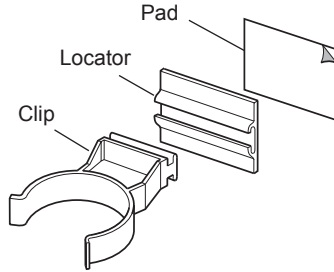
5. Offer up the panel to the tray with the horizontal grooves nearest the floor and make sure that the panel is the correct length.  
**Note!** If extra panel stability is required, secure wooden blocks or batons to the floor along the rear edge of the panel as shown.
6. Remove the backing paper from the sticky pads and remove the protective film from the panel.
7. Starting at the wall end. Offer the panel up to the locator and press firmly (refer to Figure 9).
8. Fit the corner onto one end of the larger panel (710 mm) so that it fits onto the fitted panel.
9. Locate onto the fitted panel (410 mm) and firmly press onto the pads.
10. Fit the second corner onto one end of the panel (410 mm) so that it fits onto the fitted panel (710 mm).
11. Press the panel firmly onto the locators.
12. Seal the top edge of the panel to the tray wall using a line of silicone sealant.



**Figure 9**  
**Install the Panels**

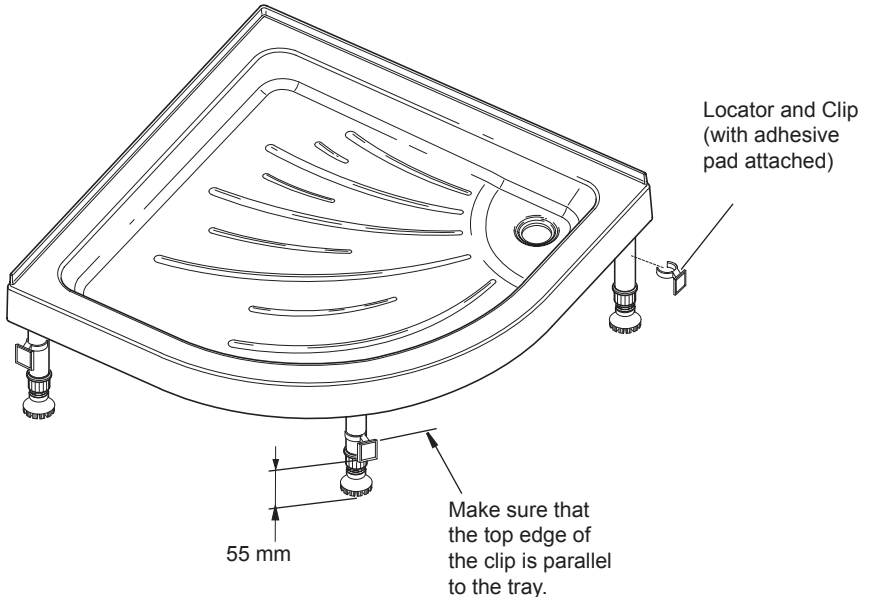
## Quadrant

1. Cut the panel to length.  
**Note!** Cut each end equally to maintain the correct fit of the curved panel.  
The panel can be cut or shaped to suit the wall profile e.g. skirting board.
2. Remove the backing from one side of each of the pads and stick the pads to back of locators.
3. Slide the locators onto the clips (refer to Figure 10).



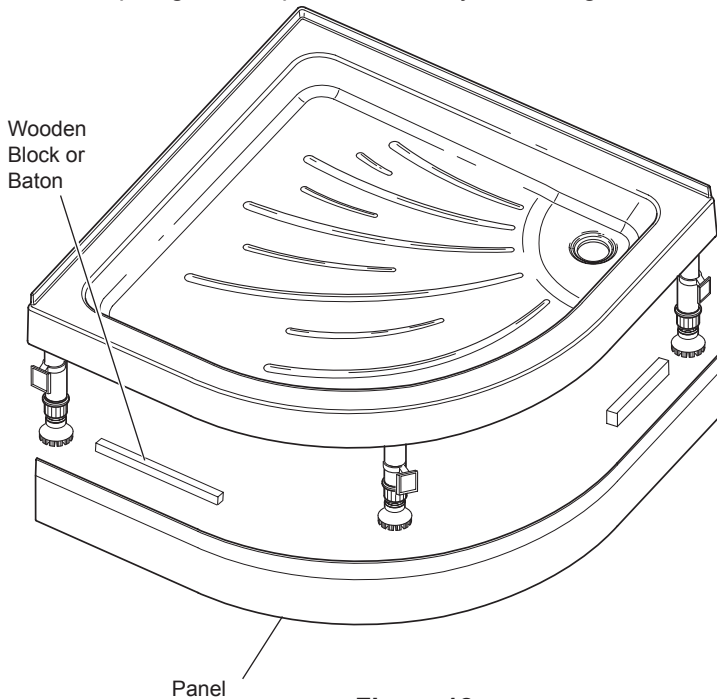
**Figure 10**  
**Assemble the Panel Fixings**

4. Slide the clips onto the legs until the bottom edge of the pad is 55 mm from the floor. Make sure that they are parallel to the floor (refer to Figure 11).



**Figure 11**  
**Install the Locators and Clips**

5. Offer up the panel to the tray and make sure that the panel is the correct length.  
**Note!** If extra panel stability is required, secure wooden blocks or batons to the floor along the rear edge of the panel as shown.
6. Remove the backing paper from the sticky pads and remove the protective film from the panel.
7. Put the panel in position and press firmly. Continue along the panel making sure that it sticks correctly (refer to Figure 12).
8. Seal the top edge of the panel to the tray wall using a line of silicone sealant.



**Figure 12**  
**Install the Panels**

# MAINTENANCE

## General

Providing the shower tray has been correctly installed in accordance with the instructions contained in this guide, difficulties should not arise. If any maintenance is required then it must be carried out by a competent tradesperson for whom the maintenance instructions are provided.

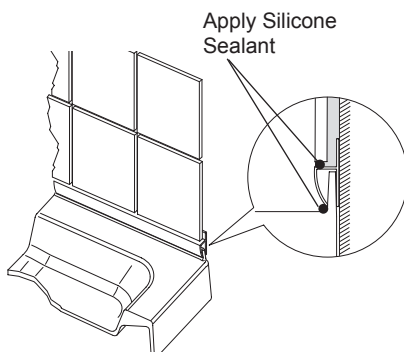
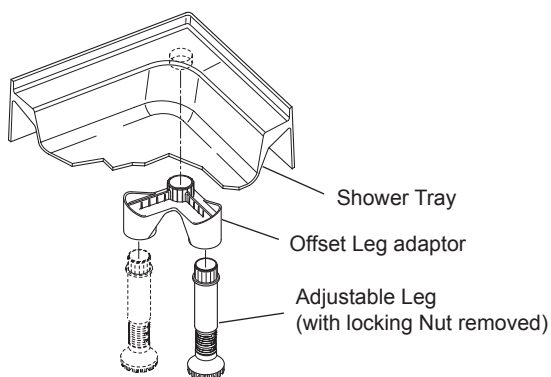
## Cleaning

It is advised that the shower tray is cleaned immediately after use, to remove any insoluble products. Hot soapy water should be used and then the tray should be wiped. Cleaners of gritty or abrasive nature should **never** be used.

The acrylic ABS surface of this shower tray has good resistance properties to acids but should not come into contact with alkalis or organic solvents, such as caustic soda, dry cleaning agents and paint strippers.

# ACCESSORIES

Genuine Mira accessories can be purchased direct from Customers Services (our contact details can be found on the back cover of this guide) or from approved stockists or merchants.



## Offset Leg Adaptor Fittings Kit (2 off) 'Patent Pending'

**1570.557 WH (white)**

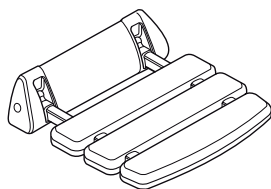
The Offset Leg Adaptor allows the Adjustable Legs to be installed offset to the tray, thus allowing installation of pipework behind the Adjustable Legs (refer to illustration).

**Important!** Unscrew and remove the Locking Nut when using the Offset Leg Adaptor.

## Upstand Tiling Strip (3 off, 1250 mm long)

**1570.558 WH (white)**

Eliminates the need to rebate the shower tray into solid or stud walls.



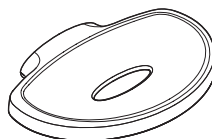
## Shower Seat

**White - 2.1536.128**

**White/Chrome - 2.1536.129**

For use in or out of the showering area. **Note!** Must be installed onto a solid wall.

Shower seat folds up when not in use



## Wall Mounted Soap Dish

**White - 1.1540.278**

**Chrome - 1.1540.279**

Wall mounted for use anywhere in, or outside the showering area.

# SPARE PARTS

**1570.002 WH** (white)  
**1570.002 SC** (soft cream)  
**1570.002 PG** (pergamon)

Connector (90 Degrees)



**1570.003 WH** (white)  
**1570.003 SC** (soft cream)  
**1570.003 PG** (pergamon)

Connector (135 Degrees)



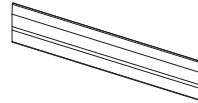
**1570.004 WH** (white)  
**1570.004 SC** (soft cream)  
**1570.004 PG** (pergamon)

Quadrant Panel



**1570.005 WH** (white)  
**1570.005 SC** (soft cream)  
**1570.005 PG** (pergamon)

1200 mm Panel



**1570.589 WH** (white)  
**1570.589 SC** (soft cream)  
**1570.589 PG** (pergamon)

End Piece



(for use with Square, Rectangle and Pentangle Trays)

**1570.280** Mira Flight Riser Fittings Pack

Comprising of:

1 Leg



1 Clip



1 Locator



2 Sticky Pads



**1570.296** 6 Leg Pack



# NOTES

# CUSTOMER SERVICE

## Guarantee

Your product has the benefit of our manufacturer's 10 year guarantee which starts from the date of purchase. To activate this guarantee, please return your completed registration card, visit our website or free phone 0800 0731248 within 30 days of purchase (UK only).

Within the guarantee period we will resolve defects in materials or workmanship by either repairing the product, providing new goods and parts to you in replacement or refunding (up to but not in excess of) the original purchase price, as we may choose.

**This guarantee is in addition to your statutory rights and is subject to the following conditions:**

- The guarantee applies solely to the original installation under normal use and to the original purchaser only. The product must be installed and maintained in accordance with the instructions given in this user guide. The product must be inspected and issues reported before installation.
- Servicing must only be undertaken by us or our appointed representative. **Note!** if a service visit is required the product must be fully installed and connected to services.
- Repair under this guarantee does not extend the original expiry date. The guarantee on any replacement parts or product ends at the original expiry date.
- For trims or consumable items we reserve the right to supply replacement parts only.

**The guarantee does not cover:**

- Call out charges for damage or defects caused by incorrect installation, frost damage, mildew, limescale, corrosion, lack of maintenance, improper use, inappropriate cleaning (please refer to our Care and Maintenance Instructions) or where no fault has been found with the product.
- Compensation for loss of use of the product or consequential loss of any kind.
- Damage or defects caused if the product is repaired or modified by persons not authorised by us or our appointed representative.
- Wear and tear.
- Accidental or wilful damage.
- Products purchased ex-showroom display.
- Costs of removal of the product following installation and/or reinstallation of any replacement product (or part) including without limitation, tiling costs.

**IMPORTANT! Trays must be inspected for defects and/or distortion prior to installation. This Guarantee does not cover the costs of removal and/or reinstallation where a defect would have been discovered by inspection prior to installation.**

## What to do if something goes wrong

If your product does not function correctly when you first use it, contact your installer to check that it is installed in accordance with the instructions in this manual. If this does not resolve the issue, contact us for help and advice.



**Helpdesk Service** - Contact our Customer Services Team for product advice, to purchase spare parts or accessories or to set up service visit. We will need you to have your model name or number and date of purchase.



**Mira Showers Website ([www.mirashowers.co.uk](http://www.mirashowers.co.uk))**

Visit our website to register your guarantee, download user guides, diagnose faults, purchase our full range of accessories and popular spares, or request a service visit.



**Spares and Accessories** - We hold the largest stocks of genuine Mira spares and accessories. Contact us for a price or visit our website to purchase items from our accessory range and popular spares.



**Service/Repairs** - No one knows our products better than our nationwide team of Service Technicians. We can carry out service or repair work to your product both during and after the guarantee period. Ask about our fixed price service repairs.

## To Contact Us: UK



**0844 571 5000**



Fax: 01 242 282595



E-mail: Visit [www.mirashowers.co.uk/contactus](http://www.mirashowers.co.uk/contactus)



Mira Customer Services Dept, Cromwell Road, Cheltenham, Gloucestershire, GL52 5EP

## To Contact Us: Eire Only



**01 459 1344**



Fax: Dublin 01 459 2329



E-mail: [sales@modernplant.ie](mailto:sales@modernplant.ie)



Modern Plant Ltd (Dublin), Otter House, Naas Road, Clondalkin, Dublin 22

Mira is a registered trade mark of Kohler Mira Limited.

The company reserves the right to alter product specifications without notice.

