

## PRESSURE REDUCING VALVES

### Introduction

Inta's Pressure Reducing Valves (PRV) with static and dynamic pressure control are designed to reduce fluid pressure to optimal system levels and to maintain that level, preventing damage to system components located downstream of the PRV. Due to the PRV's compact design they can be used even in areas where space is limited. To avoid cavitation the number of PRVs used to achieve the reduction in pressure must be considered. The cavitation chart overleaf can be used to specify the correct number of PRVs.

### Static and dynamic pressure control

### Features

- Adjustable pressure control
- Static and Dynamic pressure control
- Can be installed horizontally or vertically
- Integral serviceable filter
- Port for pressure gauge
- Gauges available with PTFE seal
- WRAS approved



Product Range



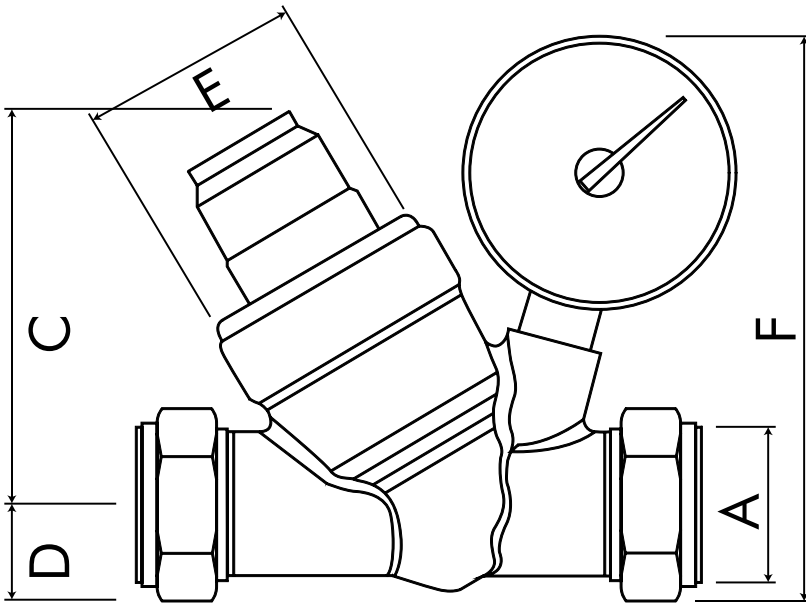
Description	Code
Pressure reducing valve with gauge - 15mm compression	PRV22331510
Pressure reducing valve with gauge - 22mm compression	PRV22332210
Pressure reducing valve with gauge - 28mm compression	PRV22332810
Pressure reducing valve with gauge - 35mm compression	PRV22333510
Pressure reducing valve with gauge - 42mm compression	PRV22334210
Pressure reducing valve with gauge - 54mm compression	PRV22335410
Pressure reducing valve without gauge - 15mm compression	PRV22331500
Pressure reducing valve without gauge - 22mm compression	PRV22332200
Pressure reducing valve without gauge - 28mm compression	PRV22332800
Pressure reducing valve without gauge - 1/2" FxF	PRV223305000
Pressure reducing valve without gauge - 3/4" FxF	PRV223307500
Pressure reducing valve without gauge - 1" FxF	PRV223310000
Pressure reducing valve without gauge - 1 1/4" FxF	PRV223312500
Pressure reducing valve without gauge - 1 1/2" FxF	PRV223315000
Pressure reducing valve without gauge - 2" FxF	PRV223320000

## PRESSURE REDUCING VALVES

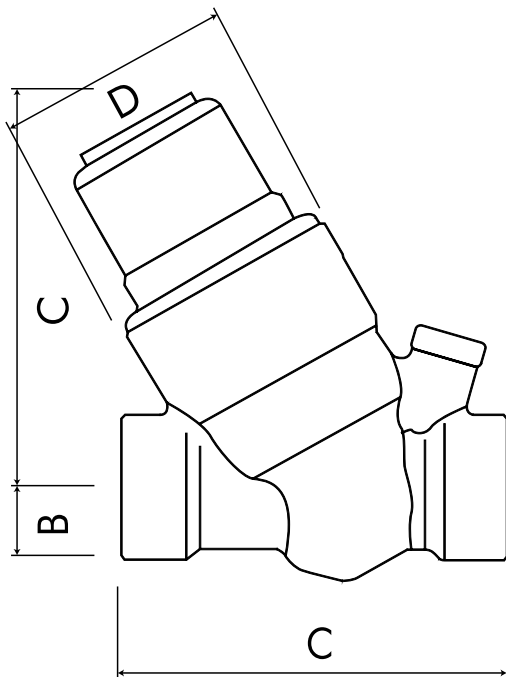
Technical Specification

Max inlet pressure (static)	16 Bar
Adjustable pressure range	0.5 - 6.0 Bar
Max Inlet Temperature	80°C
Factory set pressure	3.0 bar

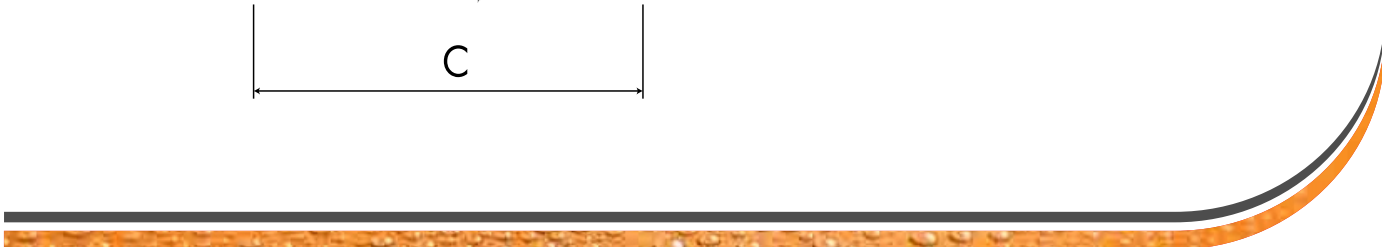
Dimensions



	A	B	C	D	E	F
15mm	102	68	19	46	85	
22mm	102	68	20	46	98	
28mm	102	106	23	61	-	
35mm	-	-	-	-	-	
42mm	-	-	-	-	-	
54mm	-	-	-	-	-	

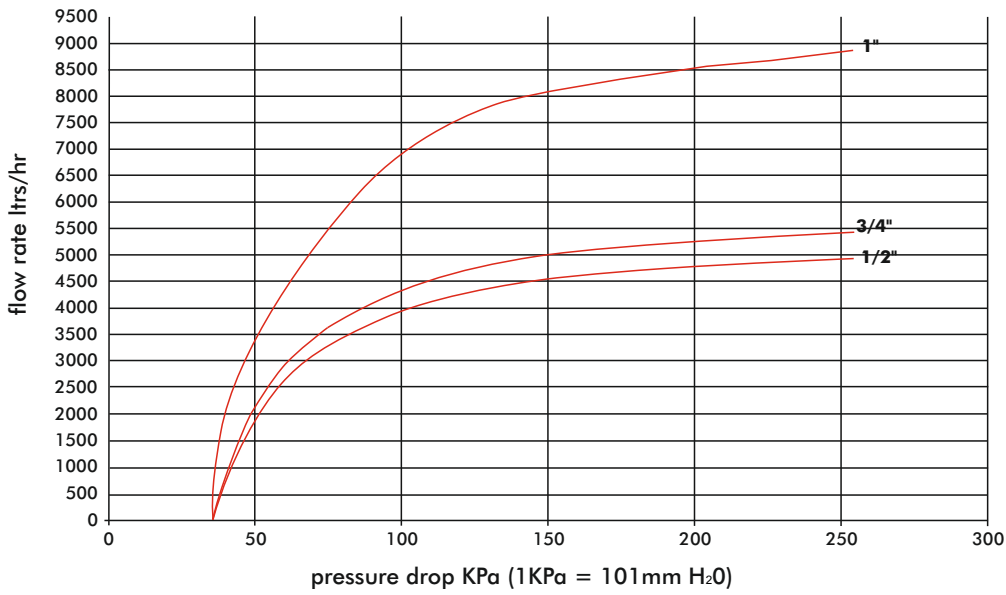


size	A	B	C	D
1/2"	75	17	73	46
3/4"	78	16	74	46
1"	103	25	106	61
1 1/4"	115	31	110	61
1 1/2"	119	31	110	61
2"	122	35	120	61



## PRESSURE REDUCING VALVES

Flow rate and Pressure Drop



these values are obtained with: Inlet pressure 8 bar and outlet pressure 3 bar



**WRAS**  
APPROVED  
PRODUCT

AIRFIELD INDUSTRIAL ESTATE, HIXON, STAFFORD, ST18 0PF  
T. 01889 272180 F. 01889 272181 SALES@INTATEC.CO.UK  
WWW.INTATEC.CO.UK