

RAS-C²

Radiator Thermostat

stylish, compact, high in quality & performance

- **New:** Now also available in a straight version
- Unique flow selectable bi-directional valve
- New style sensor, compact and easy to fit
- Available in convenient combi packs
- Radiator packs with matching lockshield valves also available
- Available in 8/10 and 15mm sizes, plus 10mm push-fit elbow version



RAS-C² Angled Valve & Nickel Lockshield



RAS-C² Combi Pack



RAS-C² straight Valve & straight lockshield

Danfoss Randall Ltd

Amphill Road, Bedford, MK42 9ER, T: 0845 - 1217 400, F: 0845 - 1217 515

www.danfoss-randall.co.uk

RAS-C²

Domestic Radiator Thermostats



The compact RAS-C² is equally suited to both the domestic and contract market, and comes complete with the revolutionary 'flow selectable' revolver valve body.

The stylish RAS-C² sensor is packaged together with the innovative flow selectable RA-FS bi-directional valve body which can be mounted either vertically or horizontally in flow or return.

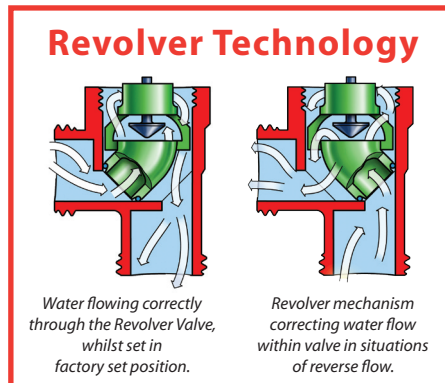
If water hammer is experienced a patented flow selection device within the valve can be turned to reverse the water direction inside the valve without the need to drain down the system. A quick and easy solution to an otherwise expensive problem.

The RAS-C² sensor based upon the tried and tested liquid sensor actuator is compact and provides highly accurate temperature control. Sensor mounting requires no tools, simply press the sensor onto the valve body and hand tighten a clamping ring to secure.

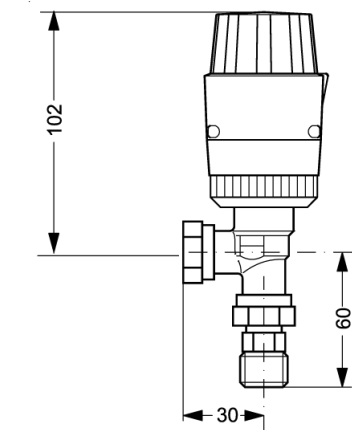
The sensor incorporates a frost protection setting and a positive off feature, useful if radiators need to be removed for decoration. RAS-C² sensors are compatible with RA-FS flow selectable bi-directional valves, RA-FN, RA-N and RA-G valve bodies.

Approved to European standard EN215 and manufactured under ISO9002 quality systems.

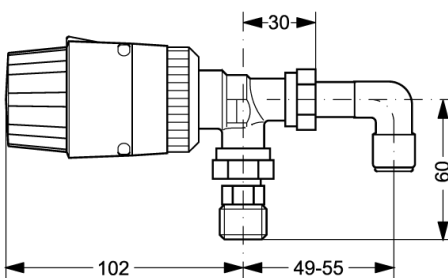
Please note: If the RA-FS valve is used with RA2000 sensors, the flow direction must be determined during commissioning and the flow selector set accordingly.



013G605000



RAS-C² with compression fitting - can be mounted horizontally or vertically.



RAS-C² with push fitting - can be mounted horizontally or vertically.

RAS-C ² Bi-Directional TRV c/w built-in sensors Combi Packs (2-pipe systems)				
Code No	Description ⁽⁴⁾		Temp. Range ⁽¹⁾ °C (Xp=2k)	
Combi Pack: Sensor & TRV Valve				
013G605000	15mm Reversible Angle c/w Built-in Sensor		8-28 ⁽²⁾	
013G605500	8/10mm Reversible Angle c/w Built-in Sensor			
013G605100	15mm Straight c/w Built-in Sensor			
013G605600	8/10mm Straight c/w Built-in Sensor			
013G606000	15mm Reversible Angle with 10mm push-fit elbow c/w Built-in Sensor ⁽³⁾			
Radiator Pack: Sensor, TRV Valve & Lockshield Valve				
013G600500	15mm Reversible Angle TRV c/w Built-in Sensor & Matching Lockshield Valve		8-28 ⁽²⁾	
013G600600	8/10mm Reversible Angle TRV c/w Built-in Sensor & Matching Lockshield Valve			
013G600300	15 mm Straight TRV c/w Built-in Sensor & Matching Lockshield Valve			
013G600400	8/10 mm Straight TRV c/w Built-in Sensor & Matching Lockshield Valve			
013G600700	15mm Reversible Angle TRV c/w Built-in Sensor & Matching Lockshield Valve, both with 10mm push-fit elbows ⁽³⁾			
RAS-C² Thermostatic Sensor Only				
013G604000	Built-in Sensor includes 'Positive Off'		8-28 ⁽²⁾	
Angled Bi-Directional Valve Bodies c/w Fittings, Reversible for 2-Pipe Systems				
Code No	Pattern	Connections		Kv Value (Xp=2k)
		Pipe	Radiator Tail	
013G628300	RA-FS Angle	8/10mm	1/2" BSP	0.55
013G628100	RA-FS Angle	15mm	1/2" BSP	0.55
Accessories				
013G491300	Collet Clip to Prevent Accidental De-mounting of Push-fit Fitting (10 Pieces)			
013G491200	Decorative Cover for Push-fit Fitting (10 Pieces)			
013G010500	Drain-off Tailpiece for Use with RLV-D Valve and RA-FS Valves			
⁽¹⁾ Temp. range may be reduced by 2°C by fitting displacer cap (013L123400).				
⁽²⁾ Allowing for influence of flow temperature and radiation.				
⁽³⁾ For use with PB and PEX plastic pipes complying with BS7291, including Hep ₂ O, Speedfit, Osmagold, Polyplumb and Equator - correct insert must be used.				
⁽⁴⁾ All valves have 1/2" connection to radiator.				

Danfoss Randall Ltd

Ampthill Road, Bedford, MK42 9ER, T: 0845 - 1217 400, F: 0845 - 1217 515

www.danfoss-randall.co.uk

Part No: 250v05 09/10