



**GRANT<sup>UK</sup>**

Part No. DOC 54 Rev. 00 September 2004

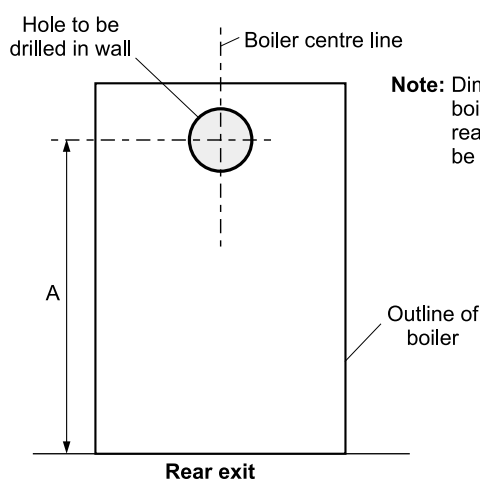
## INSTALLATION INSTRUCTIONS

# Low Level Concentric Balanced Flue Kit and External Flue System

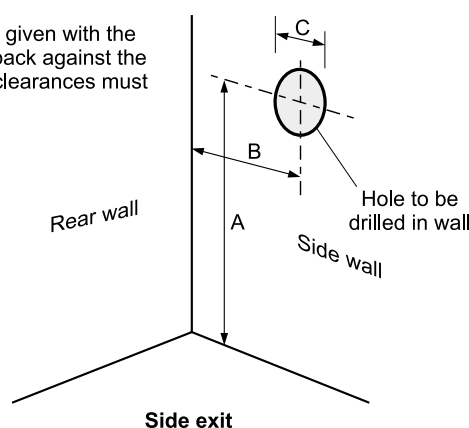
## All Euroflame, Multipass, Vortex, Combi and Boiler House Models

### Section A - BOTH Low level and External systems

#### Position of hole to be cut in wall



**Note:** Dimension B is given with the boiler pushed back against the rear wall. Any clearances must be added to B.



Euroflame	Dimension (mm)		
	A	B	C
Kitchen/Utility model - 50/70	718	85	127
Kitchen/Utility models - 70/90 and System 50/90	769	105	127
Kitchen/Utility model - 90/120 and System 90/120	735	115	152
Boiler House model - 50/70	748	95	127
Boiler House model - 70/90	796	120	127
Boiler House model - 90/120	783	126	152

Model	Dimension (mm)		
	A	B	C
Vortex 15 to 26	768	115	127
Vortex 36 and 46	780	112	152
Combi 70 and 90	756	115	127

Multipass	Dimension (mm)		
	A	B	C
Kitchen & System models - 50/70, 70/90	756	125	127
Kitchen & System models - 90/140	950	130	152
Kitchen models - 140/160, 160/200	1065	155	152
Boiler House models - 70/90	754	150	127
Boiler House models - 90/140	948	130	152
Boiler House models - 140/160, 160/200	1063	155	152

#### Low level balanced flue only

Telescopic dimensions (mm)	
Short kit	Standard kit
270 - 350	370 - 550

Measured from the centre of the boiler flue spigot to the outside wall (no elbow). Measurements apply to both 50 - 90 000 Btu and 90 - 200 000 Btu kits.



## FITTING INSTRUCTIONS

### Suitable wall thicknesses - Low level balanced flue only

Concentric low level balanced flue kits	To suit wall thickness (mm)			
	Rear exit		Side exit	
<b>Euroflame Short Kit</b>	Min.	Max.	Min.	Max.
50/70 Boiler House	170	250	70	150
70/90 Boiler House	140	220	30	110
90/120 Boiler House	150	230	50	110
50/70 Kitchen/Utility	180	250	70	150
70/90 Kitchen/Utility	150	230	40	120
50/90 System	150	230	40	120
90/120 Kitchen/Utility	170	250	60	120
90/120 System	170	250	60	120
<b>Euroflame Standard Kit</b>				
50/70 Boiler House	280	460	180	360
70/90 Boiler House	250	430	140	320
90/120 Boiler House	250	430	130	290
50/70 Kitchen/Utility	290	470	180	360
70/90 Kitchen/Utility	260	440	150	330
50/90 System	260	440	150	330
90/120 Kitchen/Utility	270	450	140	300
90/120 System	270	450	140	300
<b>Combi Short Kit</b>				
70 and 90	150	230	N/A	N/A
<b>Combi Standard Kit</b>				
70 and 90	260	440	70	250

#### Fit the kit

1. Decide on the boiler location.
2. Lift off the boiler case top panels.
3. Remove and discard the rectangular 'knock out' section from side or rear boiler panel as required.
4. Unpack the flue kit and check the contents.

**Note: For Boiler House models an air supply kit, Part No. EZAS (air 'snorkel' tube and hose clip) must be used. The kit is packed with the burner.**

5. Prepare the hole in the wall as shown on the front page.
6. For side flue outlet: Fit white painted dress plate supplied with the kit – ensuring hole is towards rear of boiler.

**Note:** For a gap of less than 50 mm between the wall and the side of the boiler, it is recommended that NO dress plate be fitted.

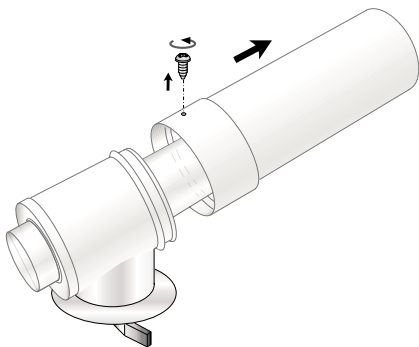


Fig. 1

Concentric low level balanced flue kits	To suit wall thickness (mm)			
	Rear exit		Side exit	
<b>Multipass Short Kit</b>	Min.	Max.	Min.	Max.
70/90 Boiler House	110	190	20	100
90/140 Boiler House	120	200	20	80
140/160, 160/200 Boiler House	110	190	N/A	N/A
50/70, 70/90 Kitchen & System	140	220	30	110
90/140 Kitchen & System	240	420	140	300
140/160, 160/200 Kitchen	220	400	100	260
<b>Multipass Standard Kit</b>				
70/90 Boiler House	220	400	120	300
90/140 Boiler House	230	410	130	290
140/160, 160/200 Boiler House	220	400	100	260
50/70, 70/90 Kitchen & System	250	430	150	330
90/140 Kitchen & System	240	420	140	300
140/160, 160/200 Kitchen	220	400	100	260
<b>Vortex Short Kit</b>				
15 to 46	150	230	N/A	N/A
<b>Vortex Standard Kit</b>				
15 to 46	260	440	120	300

7. Take the boiler connector section and remove the self tapping screw holding the outer pipe and remove the outer pipe (Fig. 1).
8. **All models except Vortex** – Place the circular white fibre gasket into the boiler flue spigot (Fig. 2).

**DO NOT USE THE WHITE FIBRE GASKET ON VORTEX MODELS.**

9. **Vortex only** - Remove T-bar & clamp bolt from boiler connection section – retain spacer sleeve. Fit steel washer and sealing washer onto the 150 mm long clamp bolt (supplied in the boiler accessory pack). Fit spacer sleeve onto clamp bolt and holding the spacer sleeve against sealing washer, insert clamp bolt into hole in top of boiler connector section.

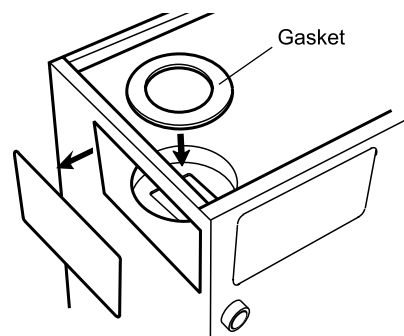


Fig. 2



10. **All models except Vortex** – Pass the boiler connector section through the hole in the casing and locate the T bar through the flue outlet hole (Fig. 3) .

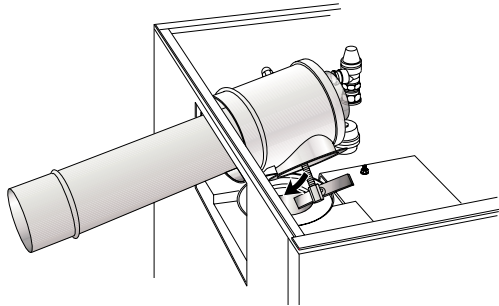


Fig. 3

11. **Vortex only** - Position flange of connector section onto the black neoprene flue outlet gasket. Engage clamp bolt into threaded socket (in centre of flue outlet).  
 12. Hand tighten clamp bolt at this stage.

13. Refit the outer pipe to the boiler connector section. Align the pre-drilled hole in adjustable sleeve with the hole in the top of the connector section. Secure using self-tapping screw previously removed (Fig. 4).

**Note:** Lubricate all the seals in **both** the inner and outer sections with the lubricant supplied and assemble with a twisting motion.

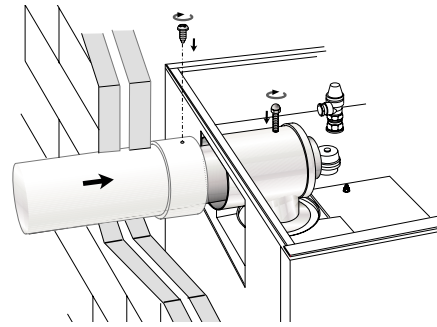


Fig. 4

**Section B - Low level (horizontal) balanced flue kit (Yellow system).  
 For External flue (Green system) refer to Section C**

1. From outside the building - fit terminal section through the hole in the wall. Engage onto boiler connector section (Fig. 5).

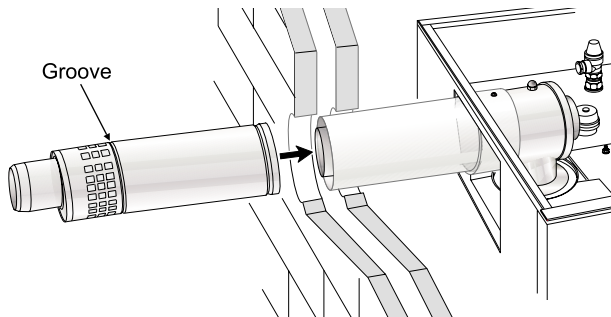


Fig. 5

3. Pull out terminal as required, aligning groove around terminal with outer surface of wall.

**IMPORTANT.** Ensure that air inlet holes around outer surface of terminal are not obstructed.

2. From outside building – rotate terminal section to position ‘TOP’ label uppermost (Fig. 6).

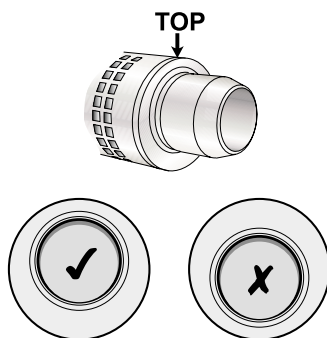


Fig. 6

4. Tighten the domed nut on the threaded bar on the boiler connector ensuring a good seal is made.  
 5. Fit the wall dress plate supplied over the terminal using a suitable silicone sealant.  
 6. Fit the stainless steel flue guard supplied using the stainless steel screws and rawl plugs provided (Fig. 7).

**THE FLUE GUARD MUST ALWAYS BE FITTED TO PROTECT PERSONS FROM HOT FLUE PARTS AND TO PREVENT ENTRY OF OBJECTS INTO THE FLUE PIPE.**

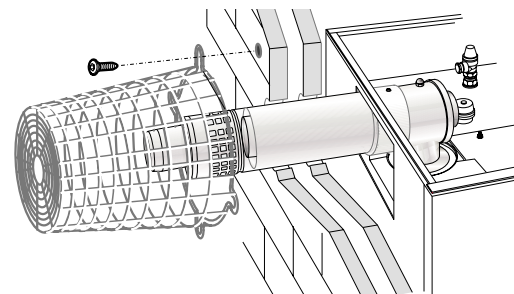


Fig. 7

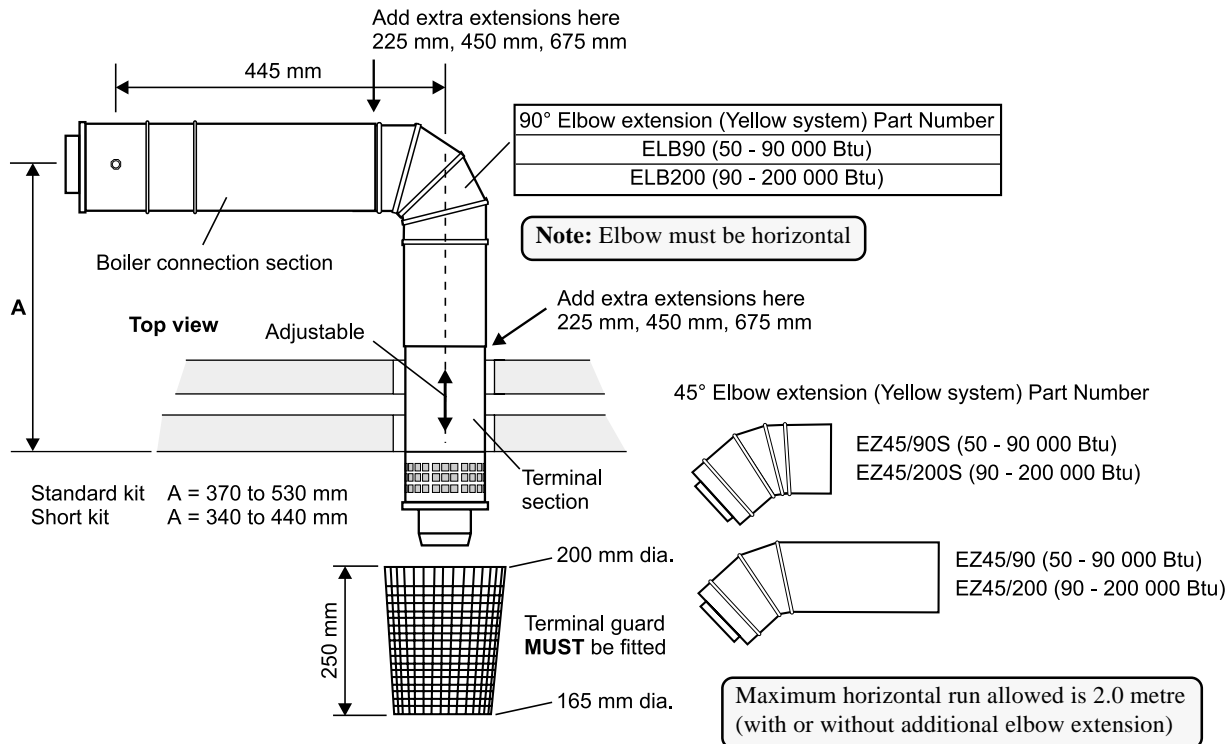


## FITTING INSTRUCTIONS

7. **All models except Boiler House** - Connect air 'snorkel' tube to air inlet spigot on boiler connection section. Secure using hose clip supplied.
8. **Boiler House models only** – Unpack the air supply kit (supplied in the burner pack).
9. **Riello and Stirling 90 burners** - Fit the air supply tube to the burner air inlet using the clamp supplied with the air supply kit. Connect air 'snorkel' tube to air inlet spigot on boiler connection section. Secure using hose clip supplied with the flue kit.

### Low Level Balanced Flue

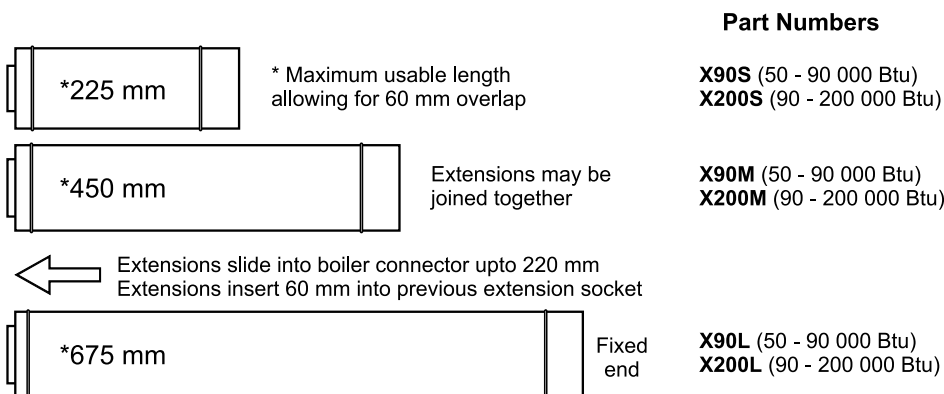
The Low Level Balanced flue kits (Yellow system) are telescopic and available in short or standard lengths. The flue cannot be extended beyond the maximum length stated. For wall thicknesses greater than shown, three extensions are available which extend the flue by 225 mm, 450 mm or 675 mm. 45° and 90° elbows are also available.



**Fig. 8**

The following low level balanced flue extensions are available (Yellow system)

**IMPORTANT: Flue extensions cannot be cut**



**Fig. 9**



**Section C - External flue (Green system)**

Cut the hole in the wall and fit the starter section of flue as described in Section A.

1. Fit the wall dress plate supplied over the terminal.
2. From outside the building - fit terminal section through the hole in the wall. Engage onto boiler connector section (Fig. 10).

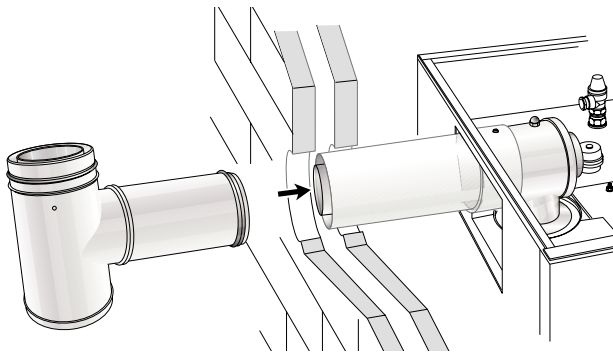


Fig. 10

3. From outside building – rotate terminal section as required.
4. Pull out terminal as required, ensuring that the seals overlap by at least 60 mm.

**IMPORTANT.** Ensure that air inlet grille of the terminal is not obstructed.

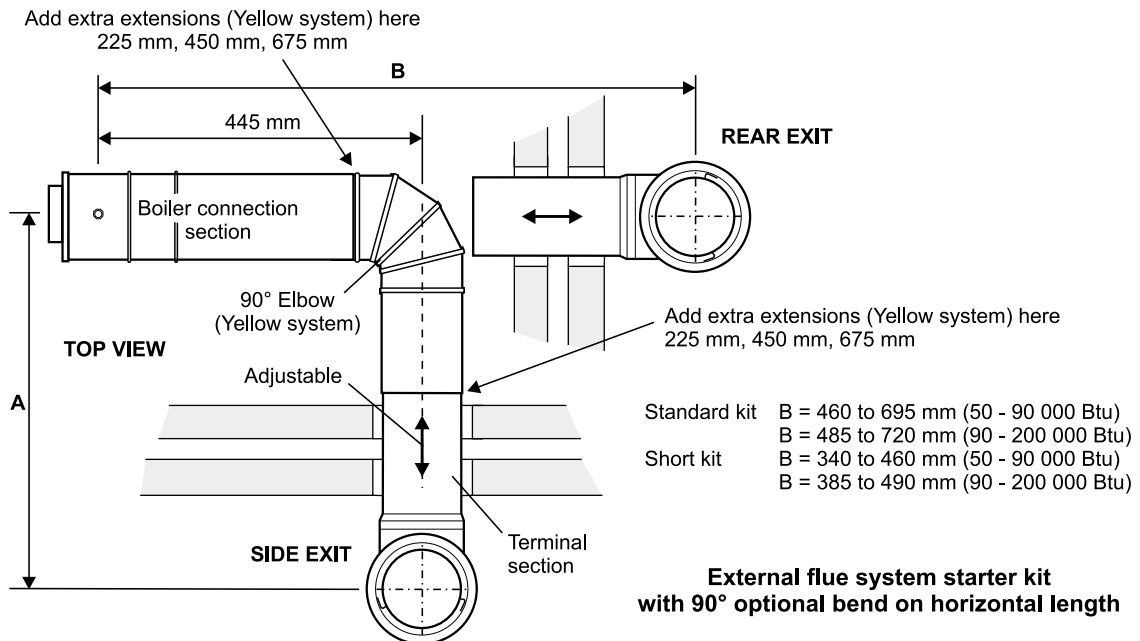
5. Tighten the domed nut on the threaded bar on the boiler connector ensuring a good seal is made.
6. **All models except Boiler House** - Connect air 'snorkel' tube to air inlet spigot on boiler connection section. Secure using hose clip supplied.
7. **Boiler House models only** – Unpack the air supply kit (supplied in the burner pack).
8. **Riello and Stirling 90 burners** - Fit the air supply tube to the burner air inlet using the clamp supplied with the air supply kit. Connect air 'snorkel' tube to air inlet spigot on boiler connection section. Secure using hose clip supplied with the flue kit.

**External Flue System - For Vertical and High Level**

The flue Starter kits are telescopic and available in short or standard lengths. The flue cannot be extended beyond the maximum length stated.

For wall thicknesses greater than shown, three extensions are available which extend the flue by 225 mm, 450 mm or 675 mm. 45° and 90° elbows are also available.

Low level balanced flue extensions (Yellow system) **must be** used when extending the starter kit horizontal length.



- |              |  |
|--------------|--|
| Standard kit | A = 545 to 755 mm (small std wall brackets 50 - 90 000 Btu)  |
|              | A = 555 to 765 mm (small std wall brackets 90 - 200 000 Btu) |
| Short kit    | A = 505 to 615 mm (small std wall brackets 50 - 90 000 Btu)  |
|              | A = 455 to 565 mm (small std wall brackets 90 - 200 000 Btu) |

External flue extensions (Green system) **must not** be used to extend the horizontal length of the starter section. The horizontal length upto the terminal section is part of the room sealed flue (Yellow system) and incorporates the air intake for the burner.

Fig. 11

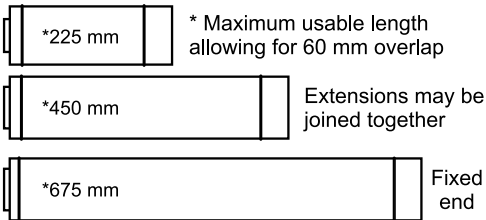


The parts below are available to horizontally extend the starter kit.

The parts below are available to vertically extend the external system.

**IMPORTANT: Flue extensions cannot be cut**

**Internal extensions (Yellow system)**

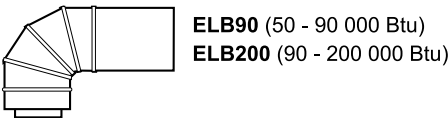


← Extensions slide into boiler connector upto 220 mm  
Extensions insert 60 mm into previous extension socket

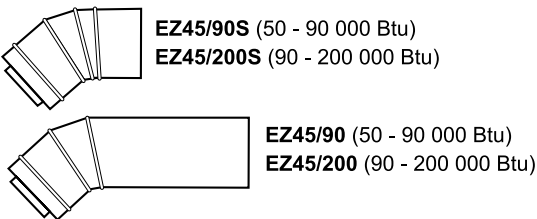
**Extension Part Numbers (Yellow system)**

- X90S (50 - 90 000 Btu) - 225 mm
- X200S (90 - 200 000 Btu) - 225 mm
- X90M (50 - 90 000 Btu) - 450 mm
- X200M (90 - 200 000 Btu) - 450 mm
- X90L (50 - 90 000 Btu) - 450 mm
- X200L (90 - 200 000 Btu) - 450 mm

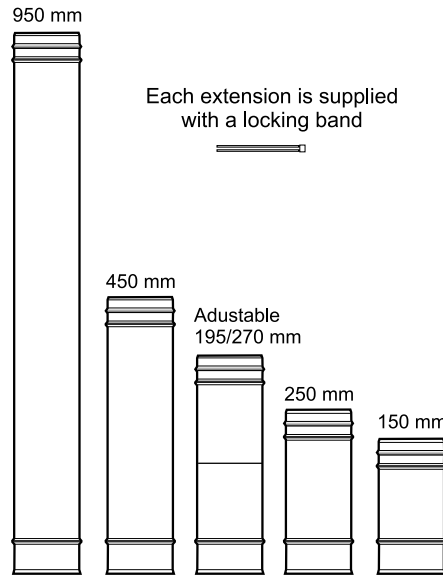
**90° Elbow extension (Yellow system) Part Number**



**45° Elbow extension (Yellow system) Part Number**



**External vertical extensions (Green system)**



**Extension Part Numbers (Green system)**

- GX150/90 (50 - 90 000 Btu) - 150 mm
- GX150/200 (90 - 200 000 Btu) - 150 mm
- GX250/90 (50 - 90 000 Btu) - 250 mm
- GX250/200 (90 - 200 000 Btu) - 250 mm
- GXA250/90 (50 - 90 000 Btu) - 195 to 270 mm
- GXA250/200 (90 000 - 200 000 Btu) - 195 to 270 mm
- GX450/90 (50 - 90 000 Btu) - 450 mm
- GX450/200 (90 - 200 000 Btu) - 450 mm
- GX950/90 (50 - 90 000 Btu) - 950 mm
- GX950/200 (90 - 200 000 Btu) - 950 mm

Fig. 12

**External Flue - Green system**

The starter section of the external flue system is a room sealed flue. The external vertical part of the system comprises five insulated extension lengths, 45° elbows, a vertical terminal and a high level horizontal terminal.

Only two 45° elbows may be used in the complete system.

Locking bands are provided with all vertical extensions and terminals. **Ensure that the locking bands are fitted.**

Two wall brackets are also available (standard and adjustable) to support the vertical flue components.

The vertical terminal must terminate in accordance with BS5410: Part 1. Where a high level horizontal terminal is used it must terminate at least 2 metres above outside ground level.

**IMPORTANT**  
As the external extensions (Green system) are insulated and do not have an air supply section they must only be used vertically.  
As the internal extensions (Yellow system) are not insulated and have an air supply section they must only be used horizontally in the starter section.

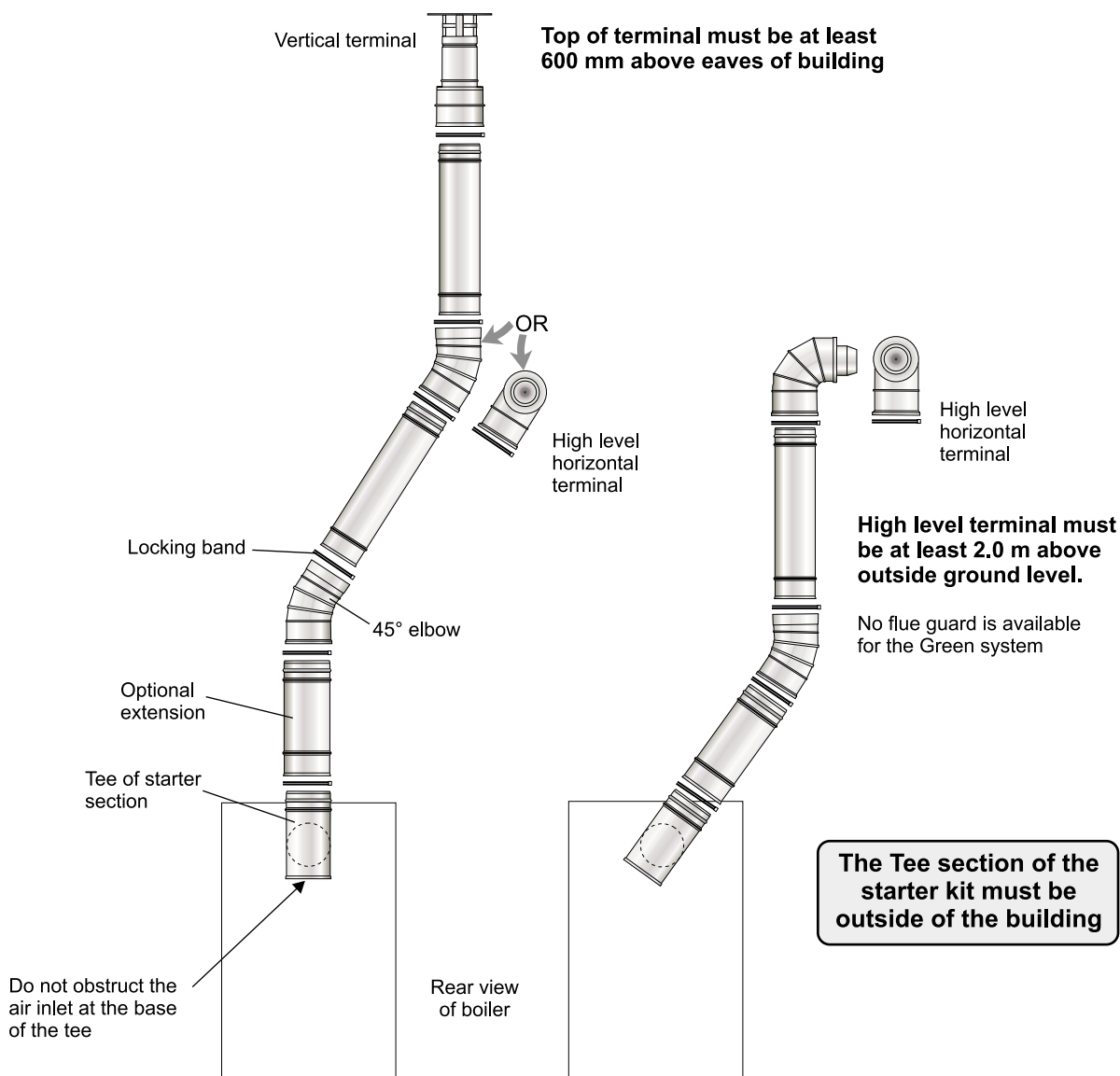


Fig. 13 - Flue options

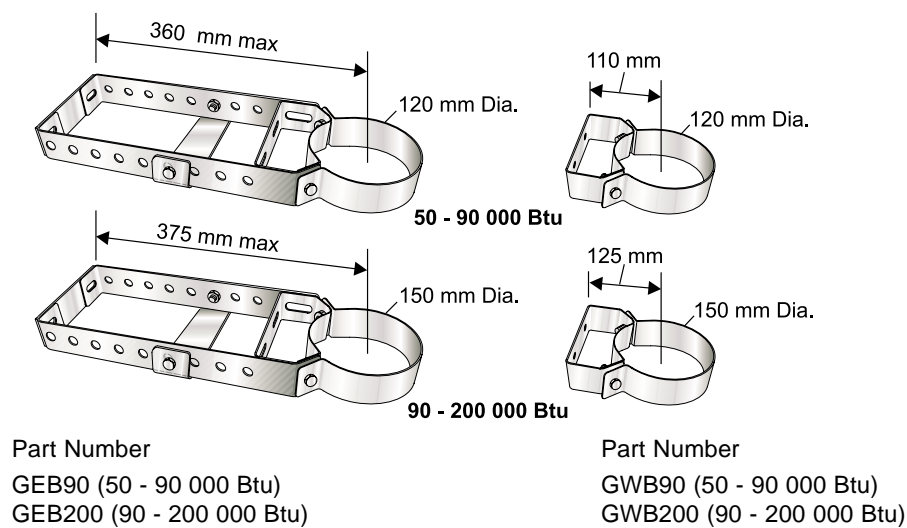
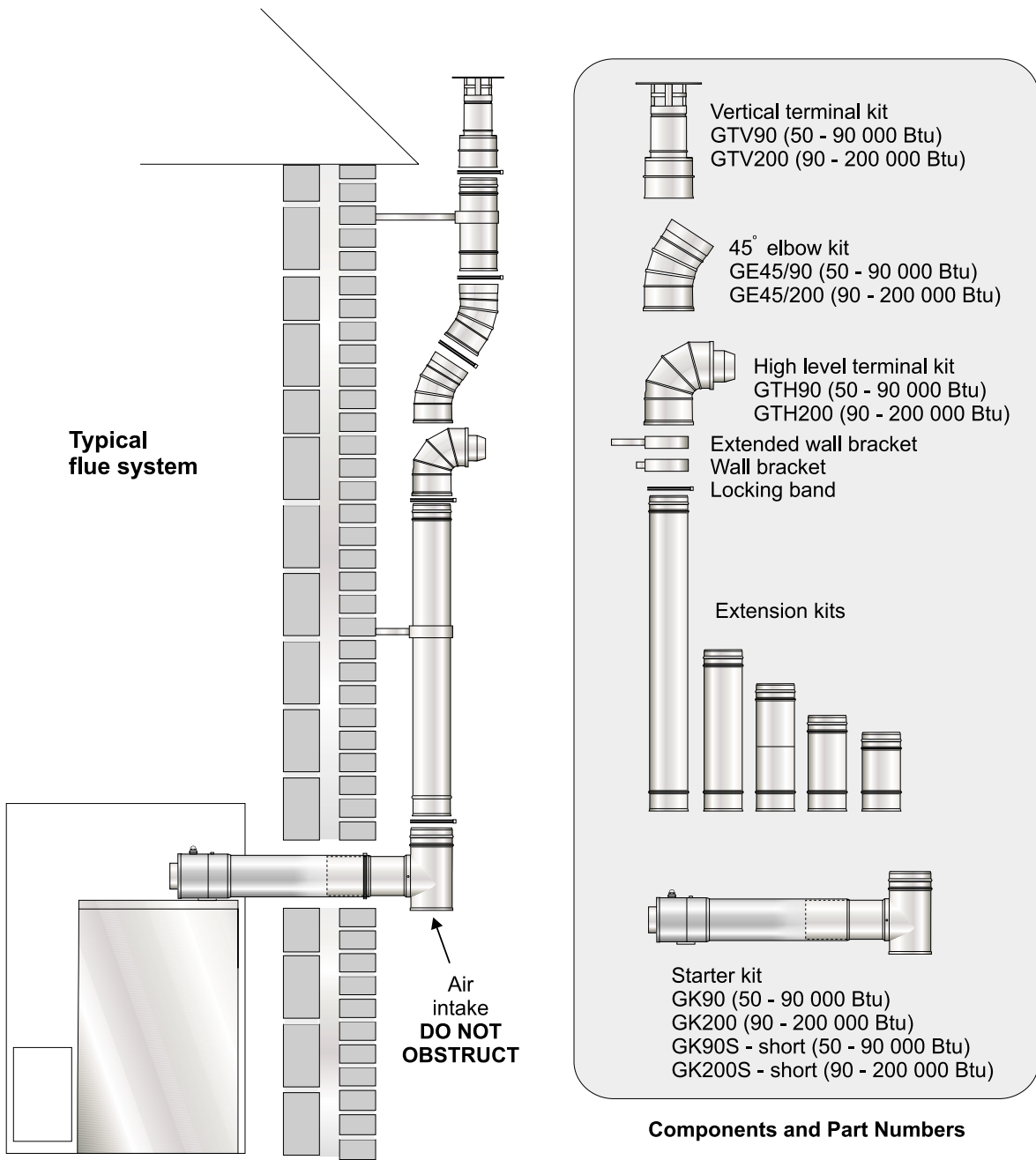


Fig. 14 - Wall brackets

## FITTING INSTRUCTIONS



*Fig. 15 - External flue (Green system)*



**Grant Engineering (UK) Limited**  
 Hopton House, Hopton Industrial Estate, Devizes, Wiltshire SN10 2EU  
 Telephone: (0870) 7775553 Fax: (0870) 7775559  
 email: info@grantuk.com website: www.grantuk.com

These instructions are accurate at the date of printing but will be superseded and should be disregarded if specifications and/or appearances are changed in the interests of continued product improvement.

© Grant Engineering (UK) Limited 2004. No part of these instructions may be reproduced by any means without prior written consent.