

AFTERCARE INSTRUCTIONS

Your fitting has a high quality finish and should be treated with care to preserve the visible surfaces.

All surface finishes will wear if not cleaned correctly, the only safe way to clean your mixer is to wipe with a soft damp cloth. Stains can be removed using washing up liquid. All bath cleaning powders and liquids will damage the surface of your fitting, even the non-scratch cleaners. **NOTE: Never use abrasive detergents or disinfectants or those containing alcohol, hydrochloric acid or phosphoric acid.**

Bristan recommend E-Cloth for cleaning all of our bathroom & kitchen products. Using just water, E-cloth gives a smear free, deep clean by breaking up and holding dirt, which normal cloths leave behind. Order through your Bristan stockist. (ORDER CODE: ECLOTH)



GUARANTEE

All products are manufactured to the highest standards and a 5 year guarantee covers any defect in manufacture.

NOTE: The 5-year guarantee on the cartridge is invalidated if damaged by any waterborne debris.

All products must have access for servicing or replacement during the life of the product.

In the interests of continuous product development we reserve the right to alter specification as necessary

PRODUCT CODE: PM BASNW C

PRODUCT IDENTIFICATION CODE LASER ETCHED ON PRODUCT
Installer please fill in code here _____.(Where applicable)

TELEPHONE HELPLINE: 0844 701 6273

Bristan Group Limited
Birch Coppice Business Park
Dordon
Tamworth
Staffordshire
B78 1SG
UK
A Masco Company
Website: www.bristan.com
Telephone: +44 (0) 844 701 6274
Facsimile: +44 (0) 844 701 6275
Email: enquire@bristan.com

BRISTAN

Prism Basin Mixer (Without Waste)

Fitting Instructions & Contents List

Please keep these instructions for future reference and request of replacement part

WATER PRESSURE

This mixer is suitable for use at all supply pressures. However for optimum use both the hot and cold supplies should be reasonably balanced.

If the fitting is installed at low pressure (tank fed), then the minimum distance from the outlet to the underside of the cold tank should be 2 metres to ensure adequate performance.

Operating Pressures: Min 0.2 bar, Max 7.0 bar.

This mixer should be installed in compliance with the Water Regulations. Where the supplies are unbalanced, i.e. hot water from cylinder tank / cold from the mains, approved check valves must be fitted in the supply pipes. For further details contact your Local Water Authority.

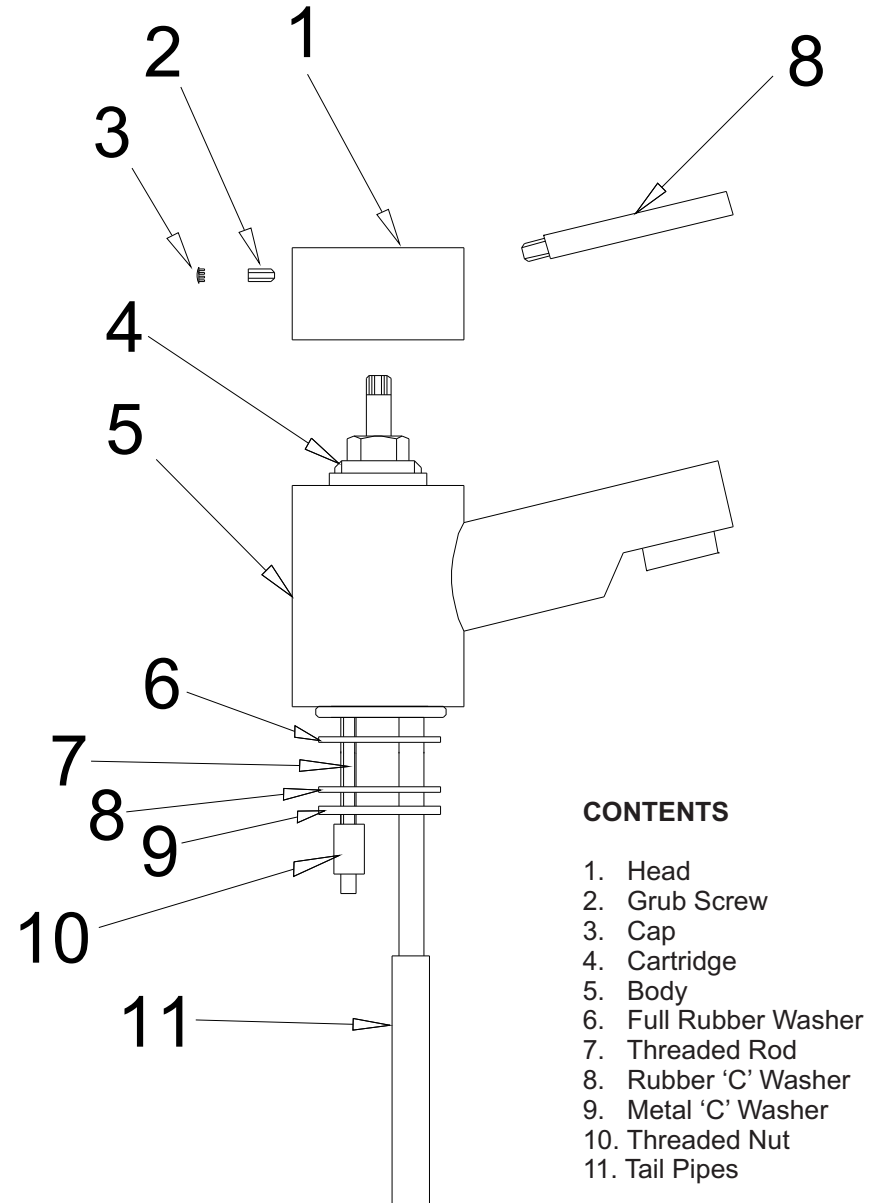
INSTALLATION

1. Identify all components and check for completeness, particularly before arranging installation.
2. Fit the mixer body (5) to the basin using the 'C' plate fixing kit. The full rubber washer goes between the fitting and the basin and the 'C' shaped rubber (8) and metal washer (9) on the underside of the basin. Use the threaded pieces and nuts to secure to basin.
3. Fit the tail pipes (11) by **HAND ONLY (DO NOT OVERTIGHTEN)** to the fitting and connect the hot and cold supplies.
4. Fully open the mixer in the mid position, letting it run for a few minutes to check all joints and connections for leaks.
5. See over the page for aftercare instructions.

MAINTENANCE

If the fitting begins to drip:

1. Turn off the water supply
2. Unscrew handle lever (8), then remove cap (3) loosen grub screw (2) with a 2.5mm hexagon key and pull off head (1).
3. Remove valve cartridge (4).
4. Carefully clean seating, rubber washer and ceramic disc.
5. Replace valve and head and turn on the water supply.
6. Contact our helpline if problem persists.



CONTENTS

1. Head
2. Grub Screw
3. Cap
4. Cartridge
5. Body
6. Full Rubber Washer
7. Threaded Rod
8. Rubber 'C' Washer
9. Metal 'C' Washer
10. Threaded Nut
11. Tail Pipes