

Terrain Waste System

300 Waste system - Polypropylene (push-fit)



Push-fit polypropylene system:

- 32, 40 and 50mm integrated systems
- Quick and easy to install
- Saves time and labour costs
- Resistant to most oils, bleaches and detergents
- Wide range of bends and fittings

32, 40 and 50mm pipe and fittings (Fig.4)					
Nom.	A	D	E	T1 (min)	T2 (min)
32mm	35	41	20	1.8	1.8
40mm	41	47	23	1.9	1.9
50mm	54	61	29	2.0	2.0

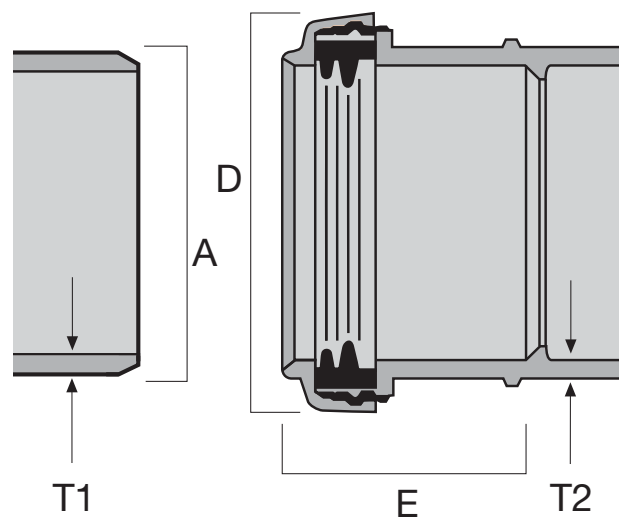


Fig. 4 Seal ring jointing

* Some Terrain fittings feature a groove here, as shown on the underside.

300 Push-Fit

Terrain waste system - 300 push-fit

Size (mm)	L	T (min)	Colour	Code
WASTE PIPE - plain-ended				
32	3m	1.8	GBW	300.125.30
40	3m	1.9	GBW	300.15.30
50	3m	2	G	300.2.30

Size (mm)	L	Z1	Colour	Code
STRAIGHT COUPLER DOUBLE SOCKET				
32	80	2	GBW	310.125
40	80	2	GBW	310.15
50	70	2	G	310.2

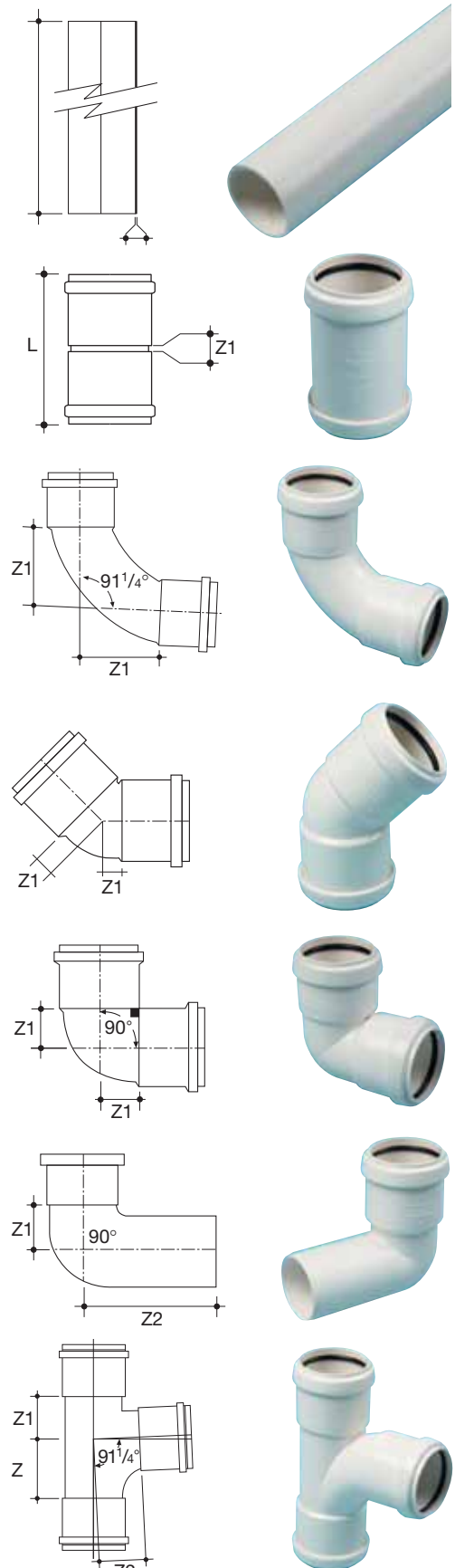
Size (mm)	Angle°	Z1	Colour	Code
SWEPT BEND DOUBLE SOCKET - for 91¼° swept bend, 91¼° and 135° as standard				
32	91¼	55	GBW	301.125.91
40	91¼	55	GBW	301.15.91
50	91¼	65	G	301.2.91

Size (mm)	Angle°	Z1	Colour	Code
SWEPT BEND DOUBLE SOCKET - for 135° swept bend, 91¼° and 135° as standard				
32	135	10	GBW	301.125.135
40	135	11	GBW	301.15.135
50	135	14	G	301.2.135

Size (mm)	Angle°	Z1	Colour	Code
KNUCKLE BEND 90° DOUBLE SOCKET				
32	90	20	GBW	302.125.90
40	90	23	GBW	302.15.90
50	90	28	G	302.2.90

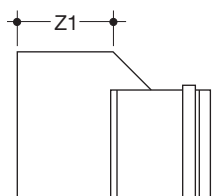
Size (mm)	Angle°	Z1	Z2	Colour	Code
SWIVEL ELBOW BEND 90° SINGLE SOCKET/SPIGOT					
32	90	30	60	GW	307.125.90
40	90	25	60	GW	307.15.90

Size (mm)	Angle°	Z1	Z2	Z3	Colour	Code
SWEPT TEE 91¼°						
32	91¼	25	30	35	GBW	304.125.91
40	91¼	30	33	40	GBW	304.15.91
50	91¼	35	40	46	G	304.2.91

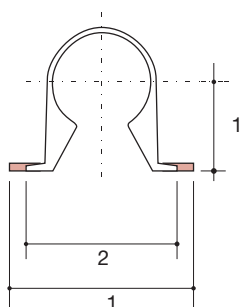


Terrain Waste System

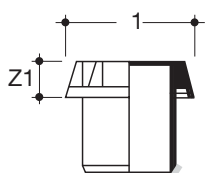
Terrain waste system - 300 push-fit



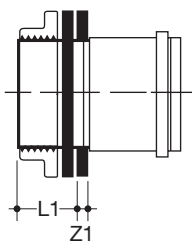
Size (mm)	Z1	Colour	Code
SOCKET REDUCER - to reduce waste socket to accept smaller diameter waste pipe			
40/32	35	GBW	323.15.125
50/40	35	G	323.2.125
50/40	35	G	323.2.15



Size (mm)	L1	C1	C2	Colour	Code
PIPE AND FITTING CLIP					
32	70	34	54	GBW	340.125
40	77	37	61	GBW	340.15
50	60	51	22	G	340.125



Size (mm)	L1	Z1	Colour	Code
ACCESS PLUG				
32	55	17	GBW	337.125
40	49	17	GBW	337.15
50	59	10	G	337.2



Size (mm)	L1	Z1	Colour	Code
TANK CONNECTOR - for connecting push-fit polypropylene pipe to water tank, supplied with 2 sealing washers				
32	24	7	GW	311.125
40	24	7	GW	311.15
50	25	7	G	311.2