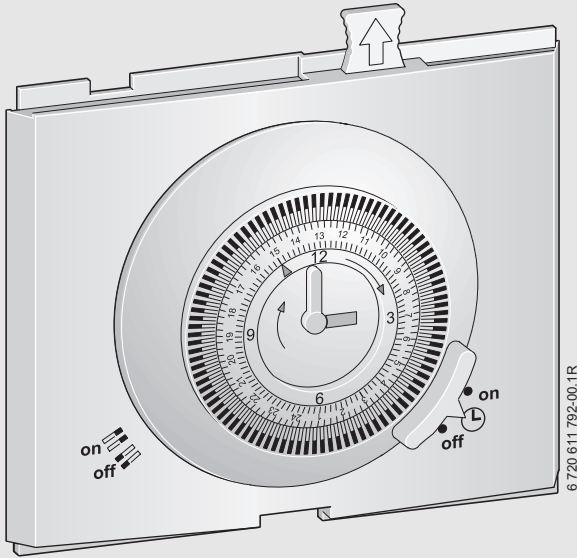




# MT 10



8 716 106 641 GB (04.09) Gm

## Safety Instructions

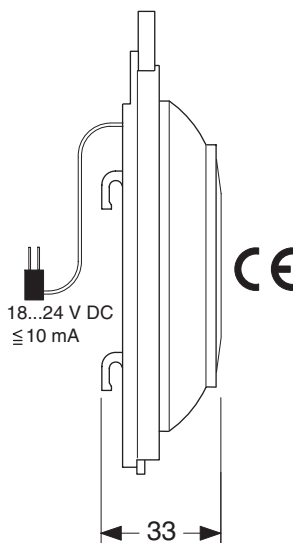
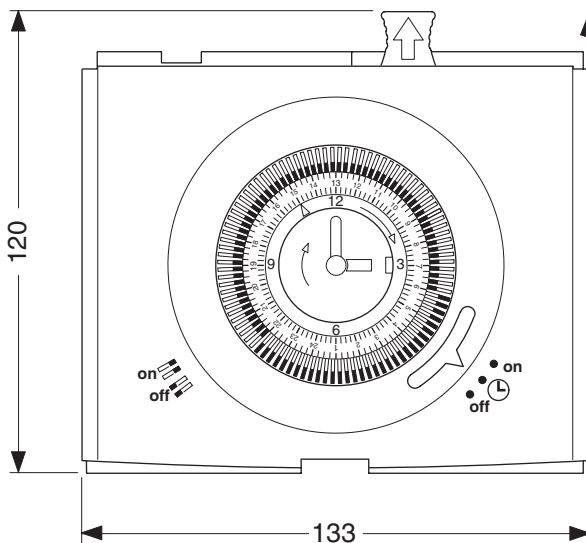
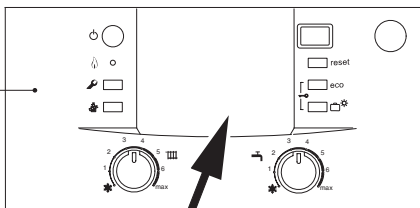
- ▶ These instructions must be observed to ensure proper functioning of the timer.
- ▶ The timer should only be fitted by an approved installer.
- ▶ The timer must not be connected to the 230 V mains supply.



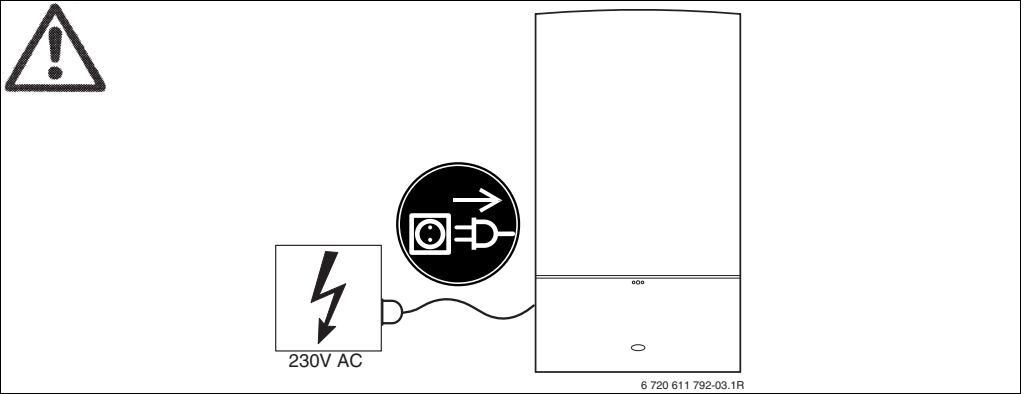
**CAUTION, ISOLATE MAINS ELECTRICITY SUPPLY BEFORE STARTING ANY WORK AND OBSERVE ALL RELEVANT SAFETY PRECAUTIONS.**



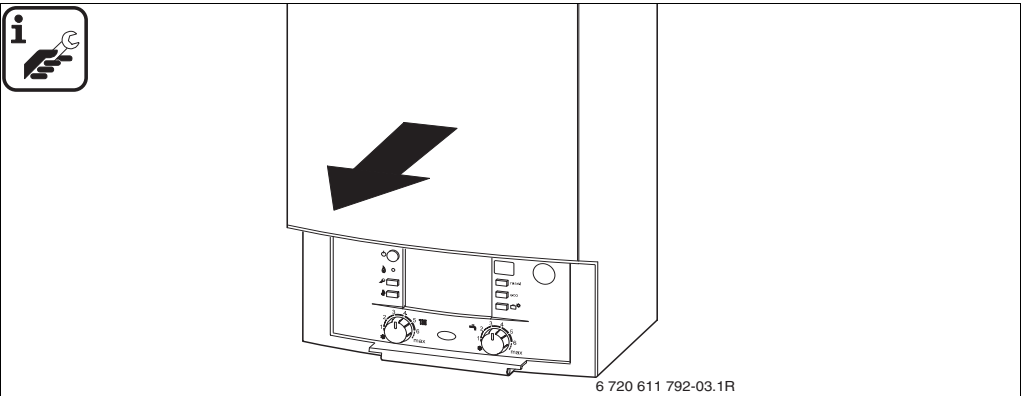
"Greenstar i,  
Greenstar Si control panel"



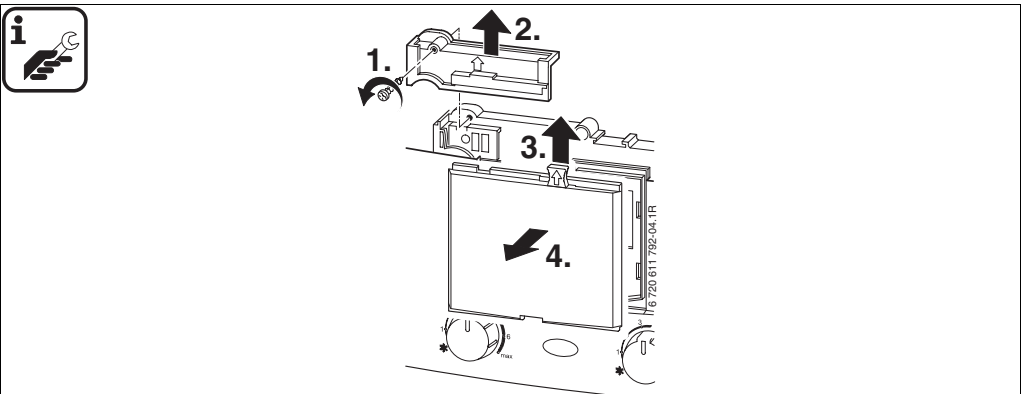
6 720 611 792-12.1R



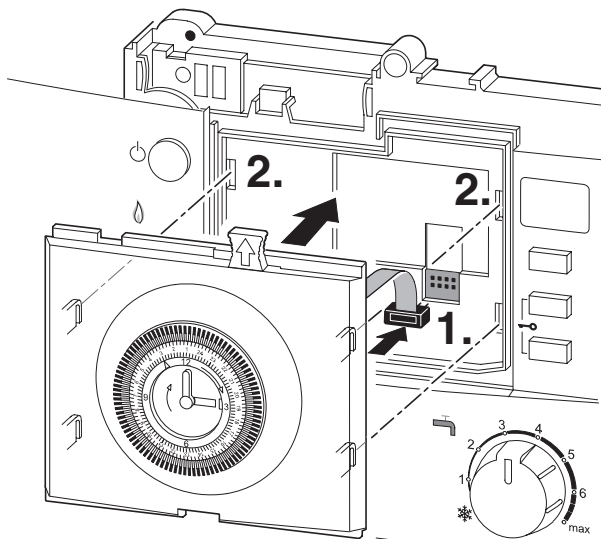
2.1



2.2

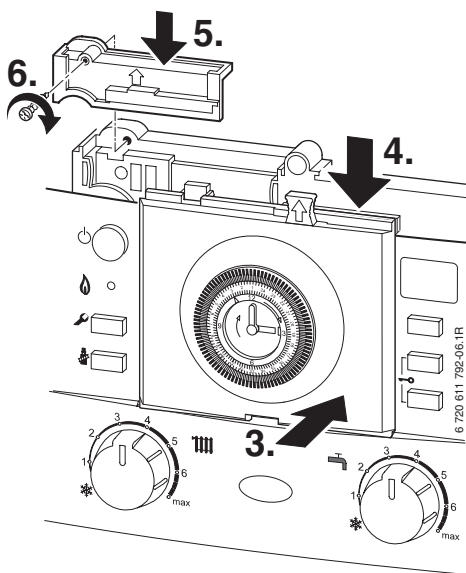


2.3



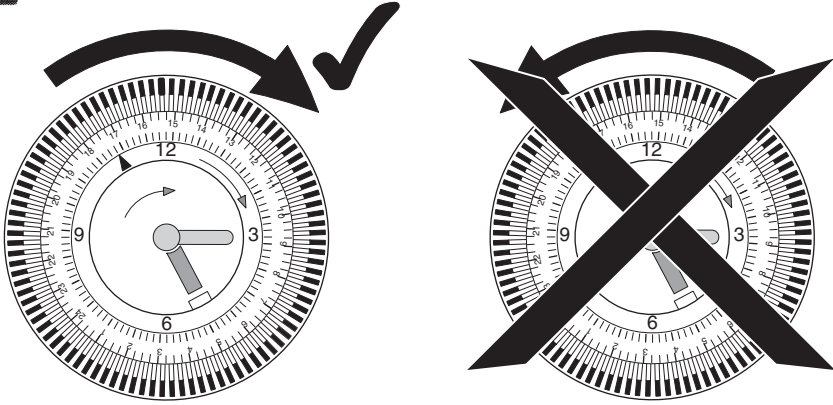
6 720 611 792-05.1R

2.4



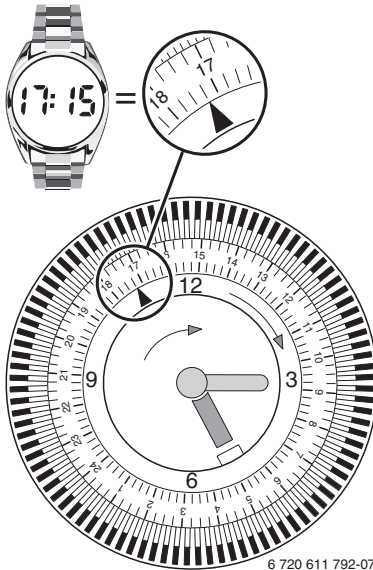
6 720 611 792-06.1R

2.5



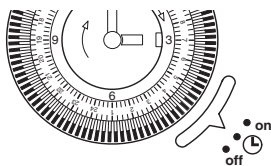
6 720 611 792-11.1R

3.1



6 720 611 792-07.1R

3.2



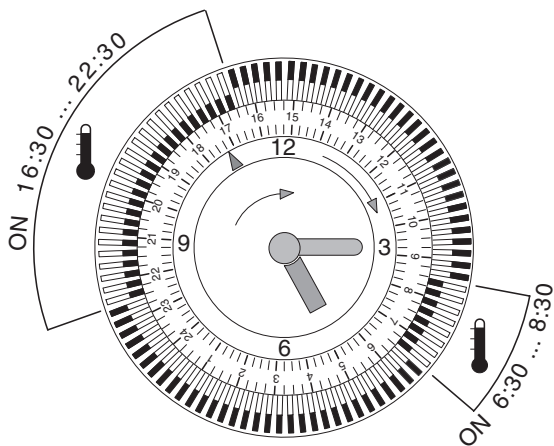
**on** =

**AUTO**  
 =

**off** =

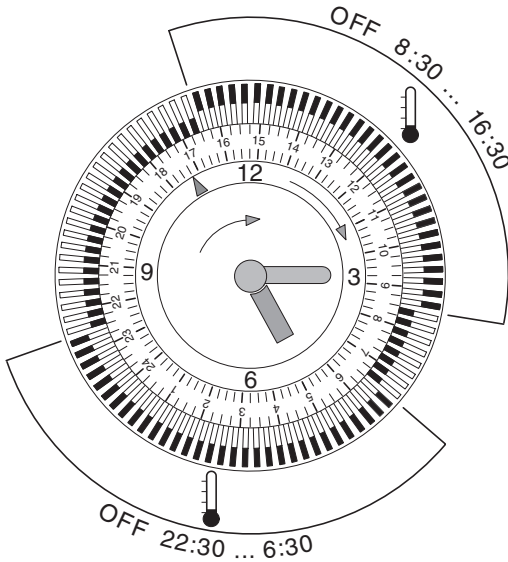
6 720 611 792-08.1R

3.3














6 720 611 792-09.1R

3.4



6 720 611 792-10.1R

3.5

	<b>on</b>  °C	<b>off</b>  °C	<b>on</b>  °C	<b>off</b>  °C	<b>on</b>  °C	<b>off</b>  °C	<b>on</b>  °C	<b>off</b>  °C	<b>on</b>  °C	<b>off</b>  °C
<b>t</b>										



Worcester Heat Systems Ltd.  
 Cotswold Way  
 Warndon  
 Worcester WR4 9SW  
 Great Britain