

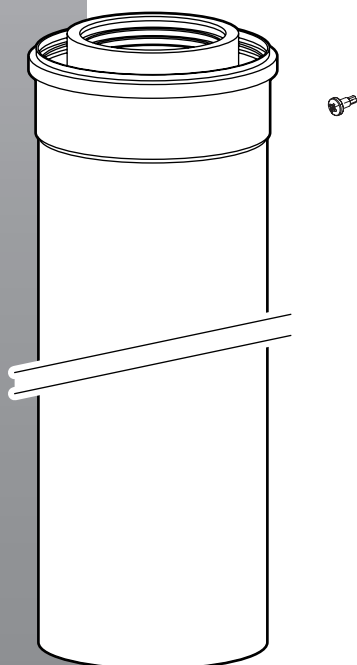
INSTALLATION INSTRUCTIONS FOR FLUE EXTENSION

EXTENSION Ø 80/125 MM

7 719 003 666

FOR GAS CONDENSING APPLIANCES:

**GREENSTAR HIGHFLOW CDI, GREENSTAR FS CDI REGULAR,
GREENSTAR CDI SYSTEM/COMBI/REGULAR, GREENSTAR I JUNIOR,
GREENSTAR SI, GREENSTAR RI, GREENSTAR SYSTEM**



6 720 641 099-00.10



SAFETY PRECAUTIONS

IF YOU SMELL GAS

- ▶ **Do not** smoke or strike matches.
- ▶ **Do not** turn electrical switches **ON** or **OFF**.
- ▶ Put out naked flames.
- ▶ Open doors and windows.
- ▶ Keep people away from the affected area.
- ▶ Turn off the control valve at the meter.
- ▶ Call your gas company.

-or-

- ▶ Call emergency number 0800 111 999.

IF YOU SMELL FUMES FROM THE APPLIANCE

- ▶ Switch off the appliance.
- ▶ Open windows and doors.
- ▶ Inform your heating engineer.

INSTALLATION INSTRUCTIONS

Please read these instructions carefully before starting installation. If you are in any doubt contact Worcester Technical Support.

These installation instructions must be read in conjunction with the appliance manual.

Please leave these instructions with the user or at the gas meter after installation or servicing.

Distance learning and training courses are available from Worcester, Bosch Group.

BENCHMARK

Please leave these instructions with the completed Benchmark Checklist (or a certificate confirming compliance with IS 813, EIRE only) with the owner after installation or servicing.

The Benchmark Checklist can be found in the back two pages of the appliance installation manual.

FITTING AND MODIFICATIONS

Fitting the flue system to the appliance must be carried out by a GAS SAFE registered, competent person in accordance with these installation instructions and the current Gas Safety Regulations (Installation and Use).

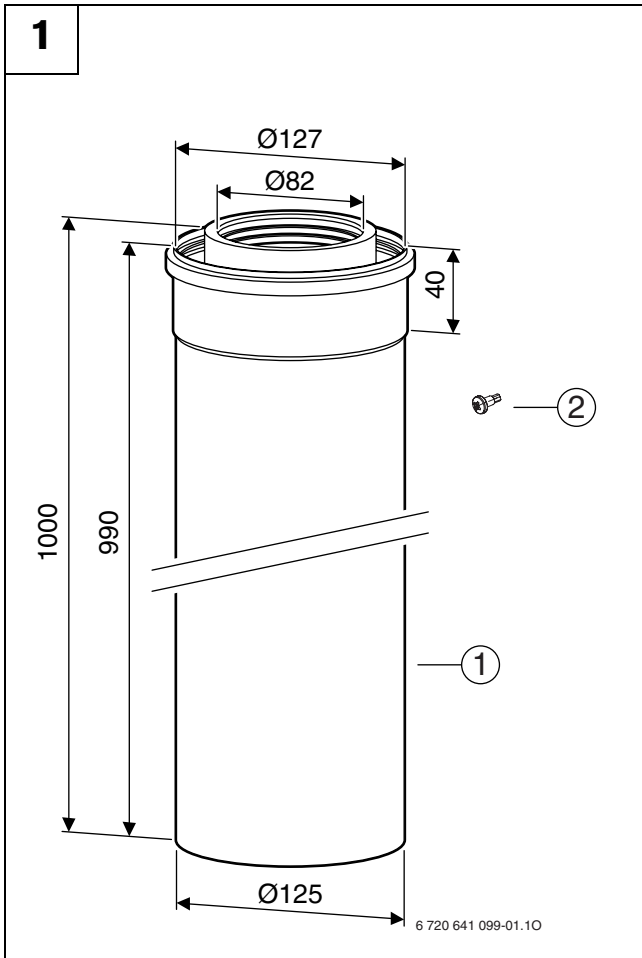
Flue systems must not be modified in any way other than as described in the fitting instructions. Any misuse or unauthorised modifications to the appliance, flue or associated components and systems will invalidate the warranty. The manufacturer accepts no liability arising from any such actions, excluding statutory rights.

- ▶ Position the flue terminal in such a way so that combustion products do not enter the building or cause a nuisance.
- ▶ Position the flue in such a way so the flue does not cause an obstruction.
- ▶ Ensure the flue terminal is not obstructed and combustion products can discharge without hindrance.
- ▶ Fit the flue according to the regulations and standards.

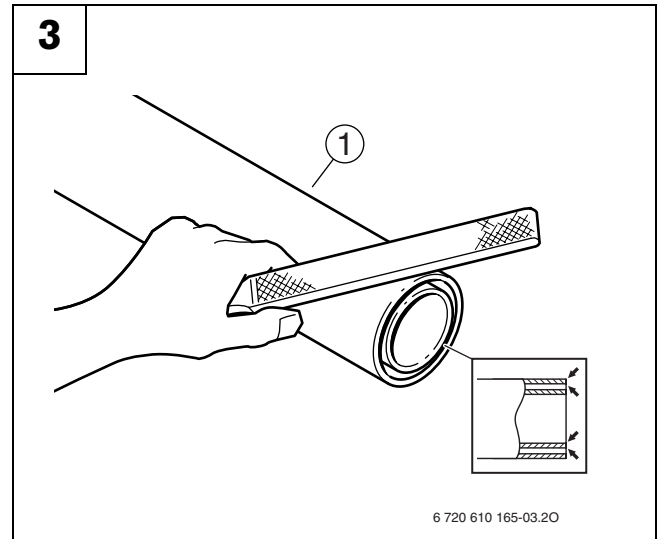
SERVICING

Advise the user to have the system serviced annually by a GAS SAFE registered, competent person using approved spares, to help maintain the economy, safety and reliability of the appliance.

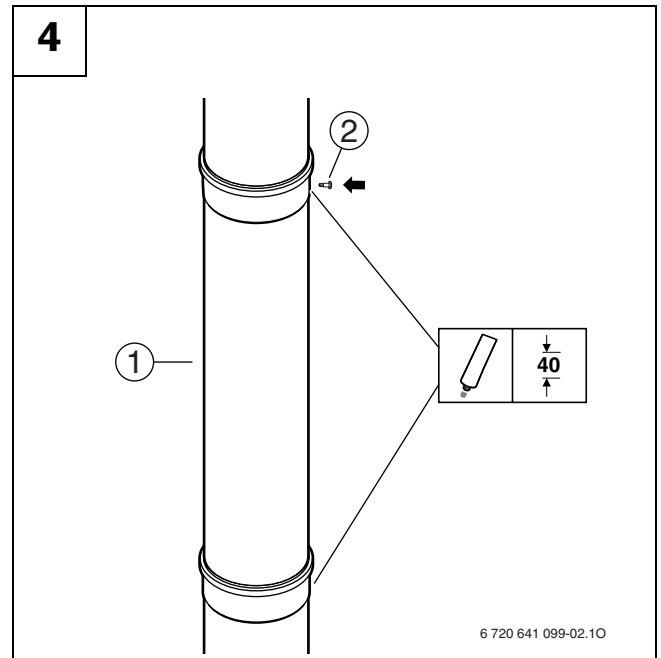
The service engineer must complete the Service Record on the Benchmark Checklist after each service.



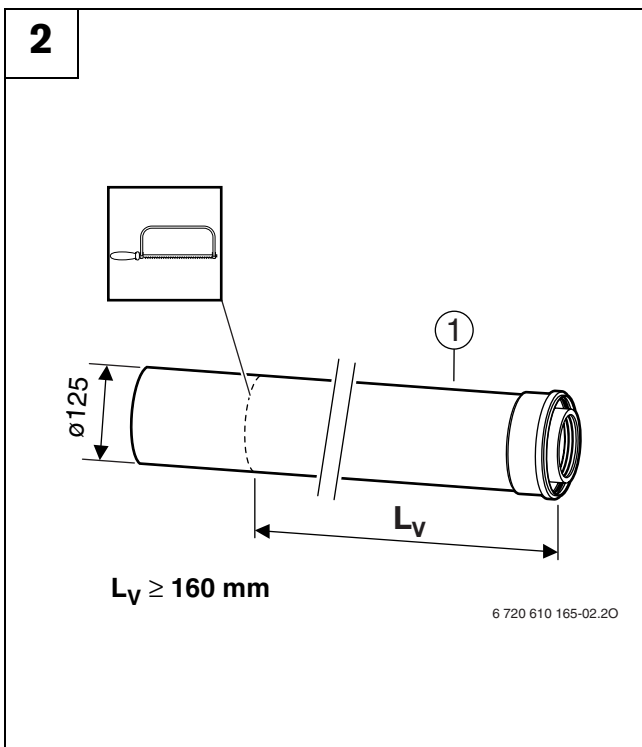
1 Extension Ø 80/125 mm



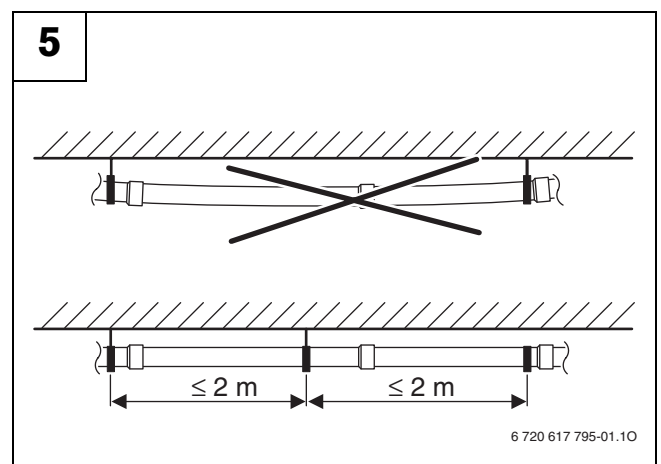
1 Extension Ø 80/125 mm



1 Extension Ø 80/125 mm
2 Screw



1 Extension Ø 80/125 mm



CONTACT INFORMATION

WORCESTER, BOSCH GROUP:

TECHNICAL:	08705 266241
SERVICE:	08457 256206
SPARES:	01905 752571
LITERATURE:	01905 752556
TRAINING:	01905 752526
SALES:	01905 752640
WEBSITE:	worcester-bosch.co.uk

Worcester, Bosch Group
Cotswold Way, Warndon, Worcester WR4 9SW.
Tel. 01905 754624 Fax. 01905 754619
Worcester, Bosch Group is a brand name of Bosch Thermotechnology Ltd.
worcester-bosch.co.uk

6 720 641 099



WORCESTER
Bosch Group