

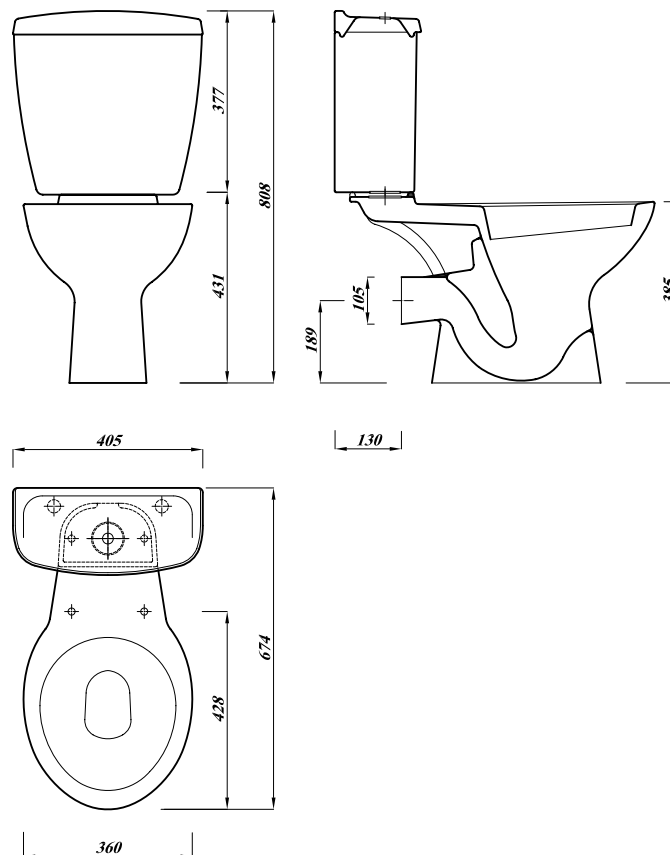
Model Atlas CC WC Suite (Push button)

Application & Features

- Domestic, leisure
- Hotel and commercial
- Modern design
- Dedicated seat and cover
- Excellent value



Elevations



Description		UK Codes	Bar Codes	Part No.
Atlas close coupled pan		ASWHPA	6221006012383	FS110213000000
Compatible products	Atlas pre installed cistern push button Dual flush valve 6/4 litre bottom supply	ASWHPPCI	6221006063828	FS14A3A39D0000
	Universal seat	STWHSSUNP	4016959085711	
	Luxury Seat and cover	STWHASLUX	4016959071585	
	Atlas soft close seat	STWHSCAS	4016959080563	
Colour	White			
Weight	Pan	15.59 kg		
	Cistern	12.15 kg		
	Universal seat	1.10 kg		
	Luxury Seat & cover	2.00 kg		
	Soft close seat & cover	2.10 kg		
Packing	Shrink Wrap			
Material	Vitreous china			
Standards	BS3402 / EN997			
Notes	WC screw to floor, fixing screws not supplied			

All dimensions are approximate and subject to normal ceramic variation
Lecico reserve the right to change the product without prior notification