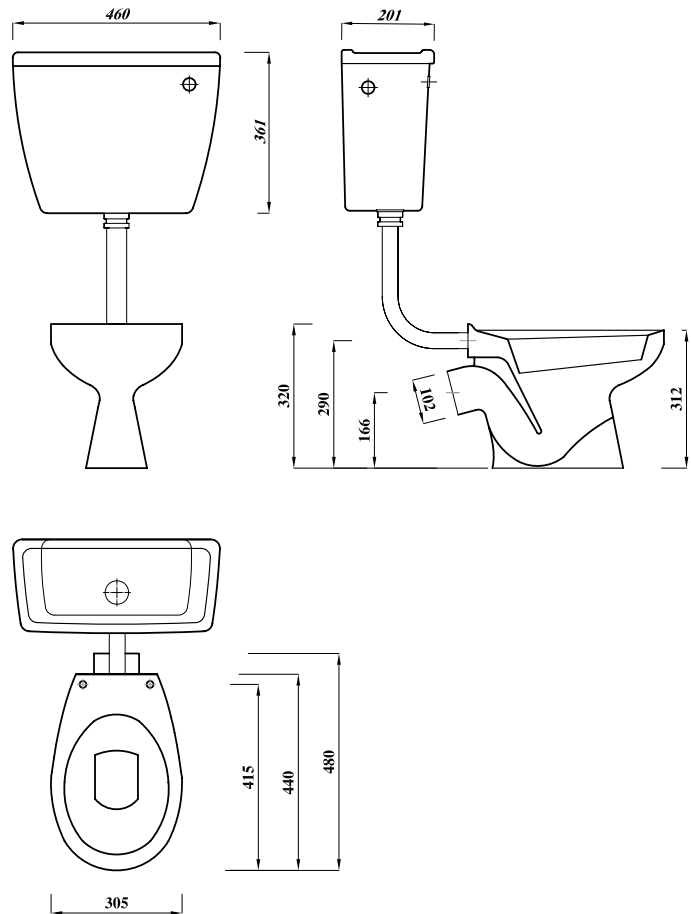


Model Atlas School Low Level Pan 30.5cm

Application & Features

- Schools and leisure
- Hotel and commercial
- Dedicated seat and cover

Elevations



Description		UK Codes	Bar Codes	Part No.
Atlas School Low Level Pan 30.5cm		SCWH30PA	6221006050644	FS176231000000
Compatible products	Atlas low level cistern lever, Side supply SISO	ASWHLLCI	6221006012994	FS110331400000
	Atlas Low level cistern fittings lever	CPKDUDASLL	5013241714891	
	Atlas ring seat	STWHSRING	5024139038616	
Colour	White			
Weight	Pan	9.47 kg		
	Cistern	13.80 kg		
	Universal seat	1.40 kg		
Packing	Shrink Wrap			
Material	Vitreous china			
Standards	BS3402			
Notes	WC screw to floor, fixing screws not supplied			

All dimensions are approximate and subject to normal ceramic variation
Lecico reserve the right to change the product without prior notification