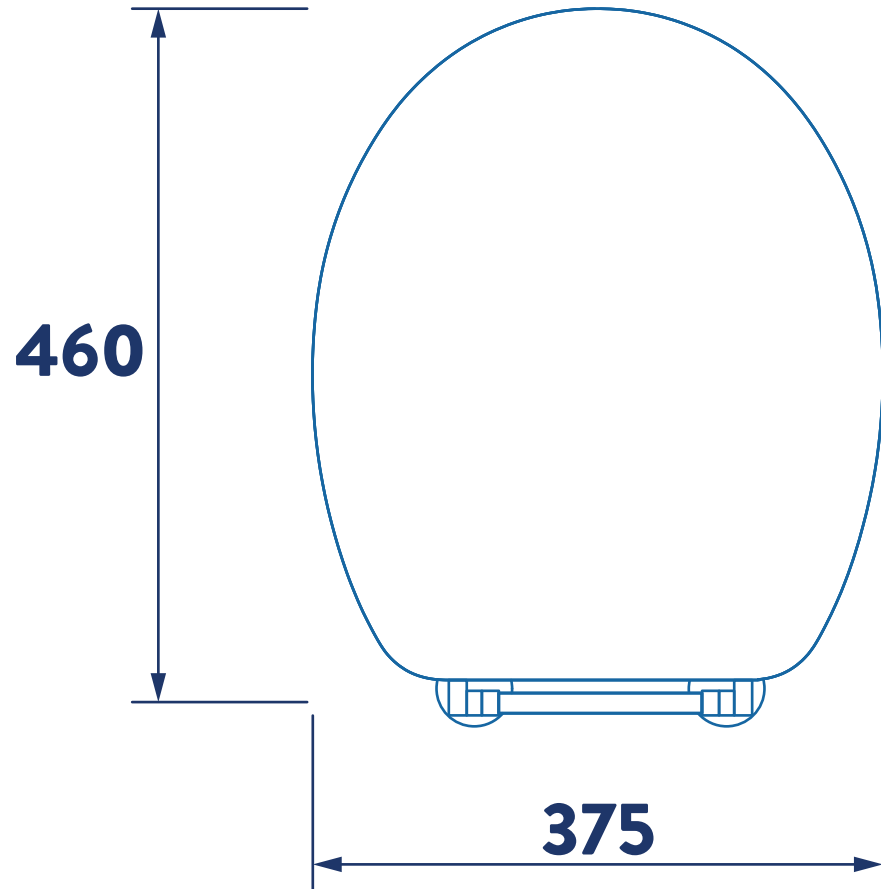


## OVERALL SIZE



## MAX / MIN ADJUSTMENT

