



Applications

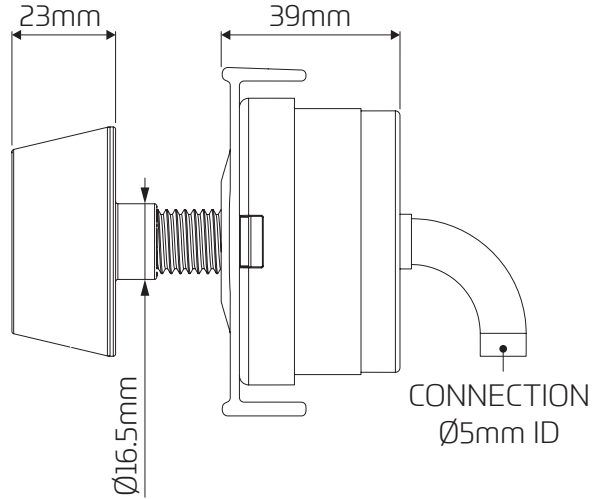
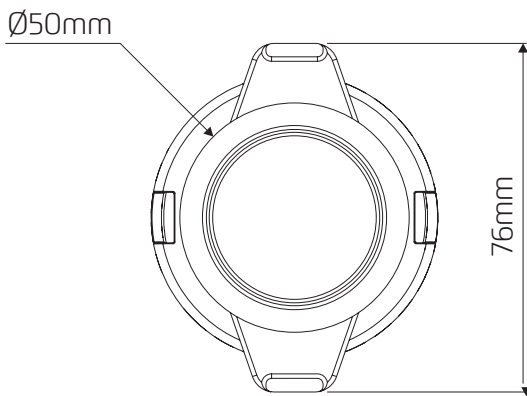
Designed for use with Dudley Pushflo cisterns.

Features

- ~ Chrome plated finish
- ~ Smooth pneumatic operation
- ~ Can be positioned up to 250mm from the cistern.



Dimensional Data



Technical Data

Wall Thickness	1-22mm
Installation Aperture	Ø18mm hole
Fixing Type	Wing Nut (Plastic)
Button Operation	Pneumatic
Flush Volume	Single Flush