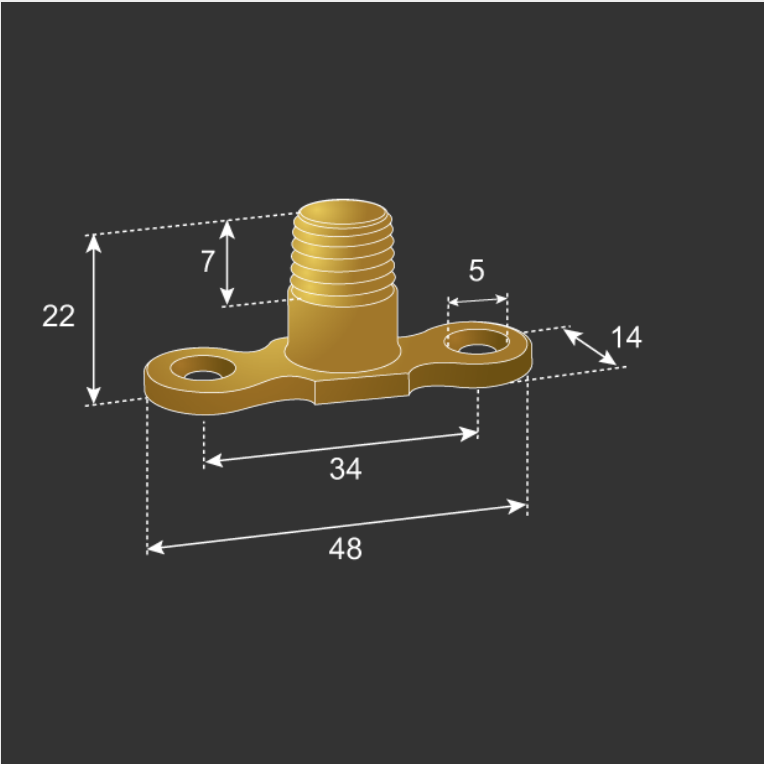


BRASS PIPE CLIPS - BRASS MALE BACKPLATES METRIC - M10



Bag Qty	100
Pack Qty	1000
Weight (kgs)	0.0210
Part No. - Bright	CB1005
Part No. - Chrome	CC1005

ABOUT THE PRODUCT

Description: Brass Male Backplates Metric, Brass Pipe Rings, Brackets and Backplates are designed and manufactured to support BS EN 1057 Copper tube, formerly BS2871 part 1: 1971 Copper tube.

Material: Manufactured in Cast and Pressed Brass material. Brass is mainly an alloy of Copper and Zinc.

Finishes: Available in Bright or Chrome finish providing a smooth appearance.

Connections / Fixing methods: Available in Metric or BSP tapped thread sizes on boss - only where applicable.

Country of Origin: China.

Every effort has been made to ensure the accuracy of data within these pages. We cannot however be held liable for any discrepancies that may arise between this data and actual product. The dimensions are provided as a guide and we recommend contacting a company representative for confirmation. Greenaway Pipeline Products Ltd reserve the right to make changes without notice at any time.

Sales: 01922 743 322
Email: enquiries@greenaways.co.uk
Web: https://greenaways.co.uk